

Figure 1

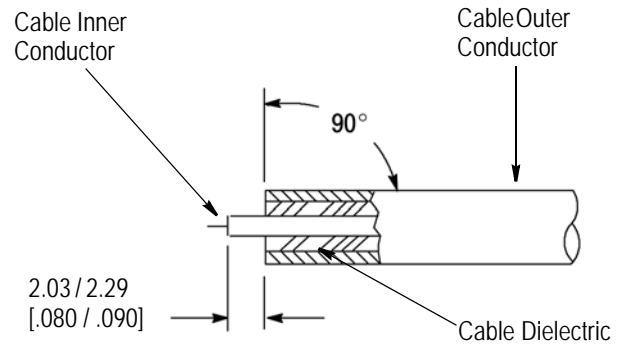


Figure 3

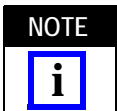
1. INTRODUCTION

This instruction sheet contains the assembly procedures for the SMA Straight Cable Plugs 1050796-1 and 1050791-1 (Compression Crimp Attachments), which are applied onto RG 402/U (.141) semi-rigid coaxial cable.

The table in Figure 2 represents tool numbers applicable to this instruction sheet. The table references the previous part numbers to the TE part numbers.

TOOL DESCRIPTION	TE PART NUMBER	PREVIOUS PART NUMBER
Crimp Tool Kit	1055835-1	2598-5200-54
Optional Hand Trim and Point Tool	1055811-1	2598-5116-54

Figure 2



Dimensions on this instruction sheet are in millimeters [with inches in brackets]. Figures are not drawn to scale.

2. DESCRIPTION (Figure 1)

The cable plug (compression crimp attachment) consists of a housing subassembly.

3. ASSEMBLY PROCEDURES

3.1. Preparing the Cable (Figure 3)

Trim cable to the dimensions shown in Figure 3.

3.1. Shaping Inner Conductor of Cable

1. Trim inner conductor to length as shown in Figure 3.
2. File blunt end of inner conductor to an 85° to 90° cone as shown in Figure 4.

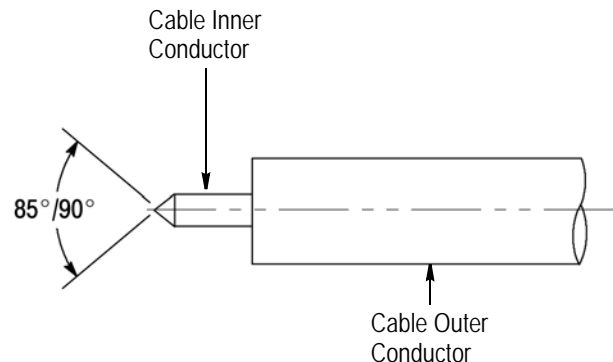


Figure 4

3.2. Installing Cable into Connector Assembly (Figure 5)

1. Install lower cable support (for .141 cable) and anvil (SMA/M) into crimp tool.
2. Set crimp length on crimp tool to 6.86 [.270].
3. Carefully insert cable into connector assembly until cable bottoms on shoulder in connector assembly.
4. Place assembly into crimp tool, bottoming the connector reference plane against anvil and allowing the cable to settle in the lower cable support.

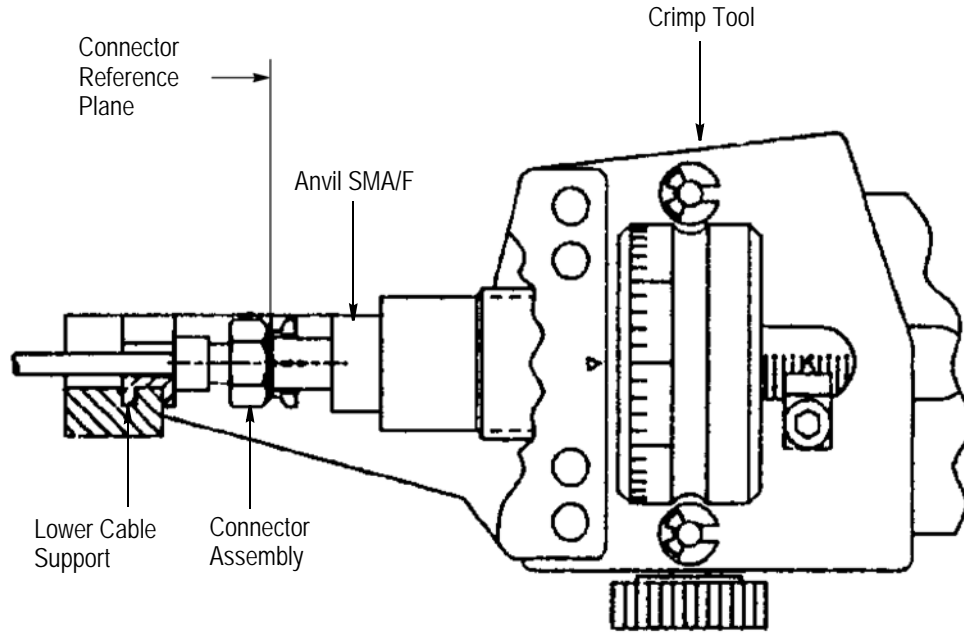


Figure 5

5. Squeeze handles of crimp tool until ratchet releases.

6. Assembly is now complete.



Damaged components must not be used. They must be replaced with new components.

4. MILITARY INFORMATION

MILITARY MAINTENANCE TOOLS	
Crimp Tool:	M/22520/36-01
Positioning Dies:	M22520/36-03
Locator Tool:	M22520/36-16 2098-0725-54 (Previous Part Number) 1055298-1 (TE Part Number)

5. REVISION SUMMARY

Revisions to this instruction sheet include:

- Changed company name and logo