

Figure 1

## 1. INTRODUCTION

This instruction sheet (IS) covers the installation and use of AMPLIMITE Two-Piece Spring Latches for Straight Exit RFI/EMI Cable Clamps, Straight/90° Exit Two-Piece Cable Clamps, and Universal Cable Clamps. Read these instructions carefully before installing the spring latches.

See Section 7, REVISION SUMMARY, for revision information.

### NOTE



All dimensions on this document are in metric units [with U.S. customary units in brackets]. Figures and illustrations are for reference only and are not drawn to scale.

## 2. DESCRIPTION

AMPLIMITE Two-Piece Spring Latches are used with AMPLIMITE latching blocks to secure mated AMPLIMITE connectors (see Figure 1). The spring latches are designed for use with straight exit RFI/EMI cable clamps, universal cable clamps, and straight/90° exit two-piece cable clamps. One spring latch design accommodates all of the metal, plastic, and plated plastic cable clamps.

## 3. INSTALLING SPRING LATCHES (Figure 2)

Install spring latches as follows:

1. Prepare cable and connector for mounting in cable clamp. Refer to Instruction Sheet 408-6609 for instructions on the RFI/EMI cable clamp, 408-7555 for instructions on the straight/90° exit cable clamp, or 408-9238 for instructions on the universal cable clamp.
2. Separate the halves of the cable clamp and remove connector and cable.
3. Hold the halves of the cable clamp together and install spring latches by pushing them into the slots with a screwdriver or similar-type tool. See Figure 2.
4. Separate the halves of the cable clamp by rotating them apart, starting with cable exit end. Make sure that spring latches remain seated in one half of the cable clamp.
5. Install cable and connector into the half of the cable clamp that is holding the spring latches. Refer to Instruction Sheets listed in Step 1 of this section for installation information.
6. Install the other half of the cable clamp, making sure that it bottoms. Install fillister head screws and 4-40 nuts to secure the halves of the cable clamp.

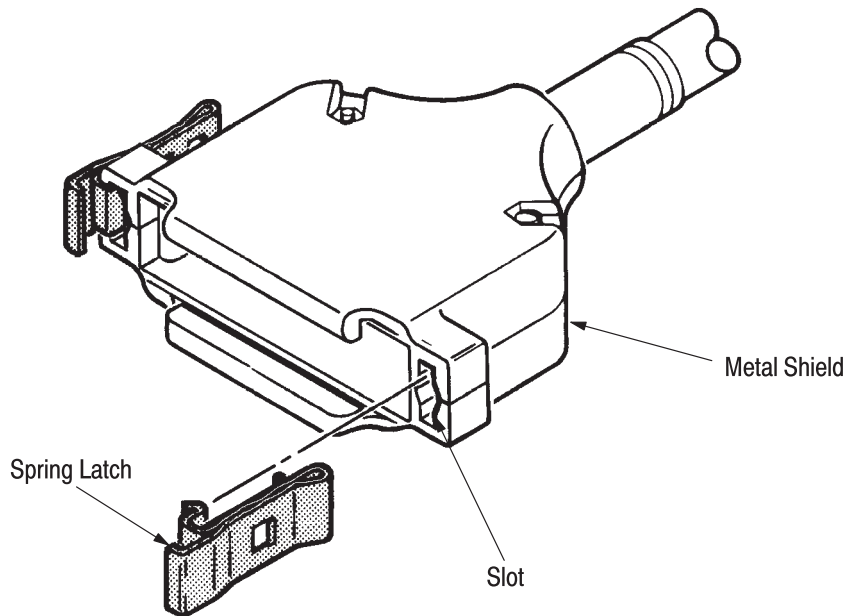
### NOTE



The two mounting screws that are normally used with the cable clamps are not installed when spring latches are used.

---

Spring Latch Kit 745255†



---

†Kit Contains Two Per Package

Figure 2

#### 4. INSTALLING LATCHING BLOCKS

For instructions concerning the selection and installation of latching blocks used with AMPLIMITE spring latches, refer to Instruction Sheet 408-9128.

#### 5. ENGAGING CONNECTORS

Align connectors and push together until spring latches snap into groove in both latching blocks.

#### 6. DISENGAGING CONNECTORS

Grasp cable clamp and squeeze latches open. While holding the spring latches open, pull the connectors straight apart.

#### 7. REVISION SUMMARY

- Updated document to corporate requirements
- New format