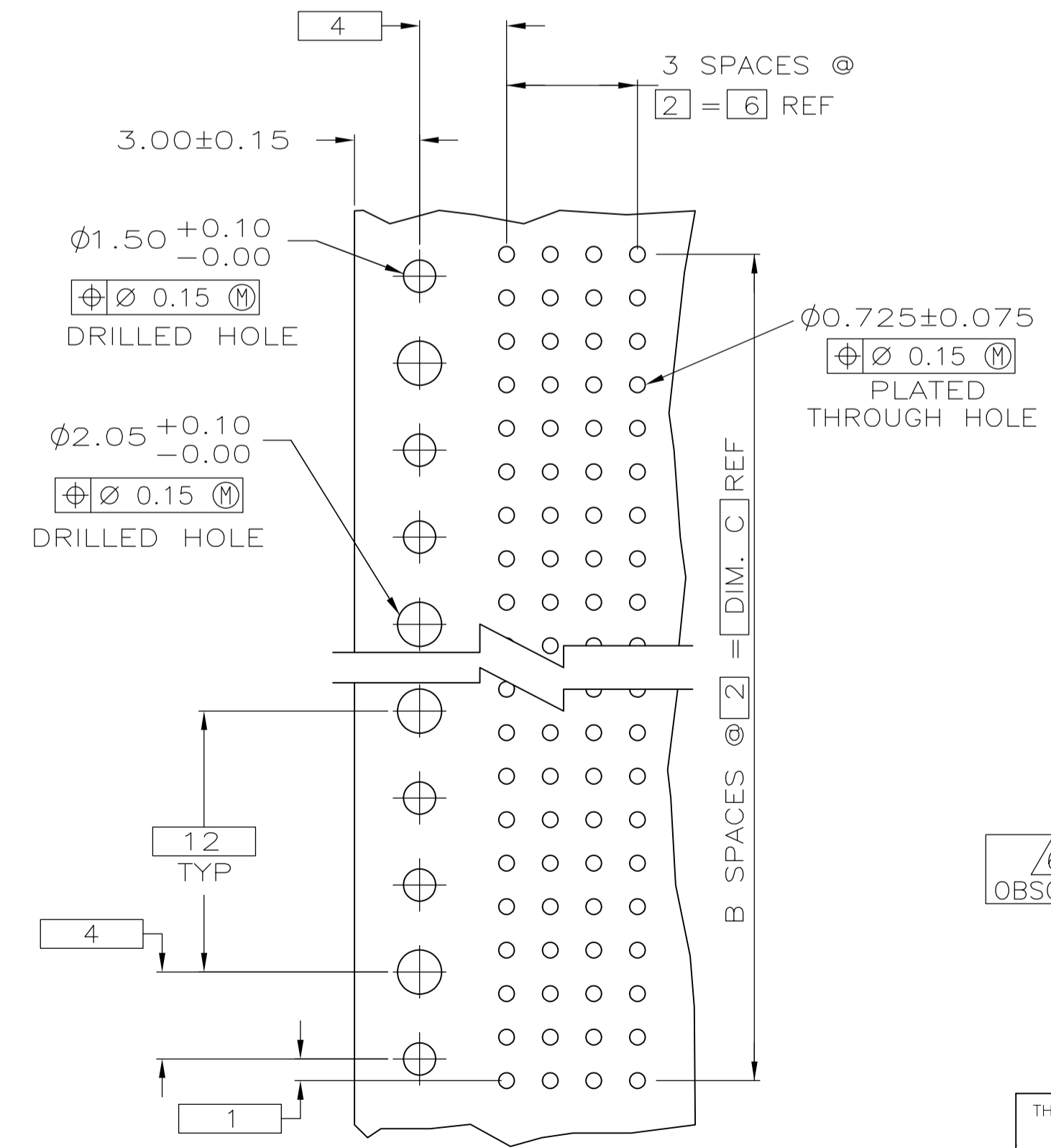
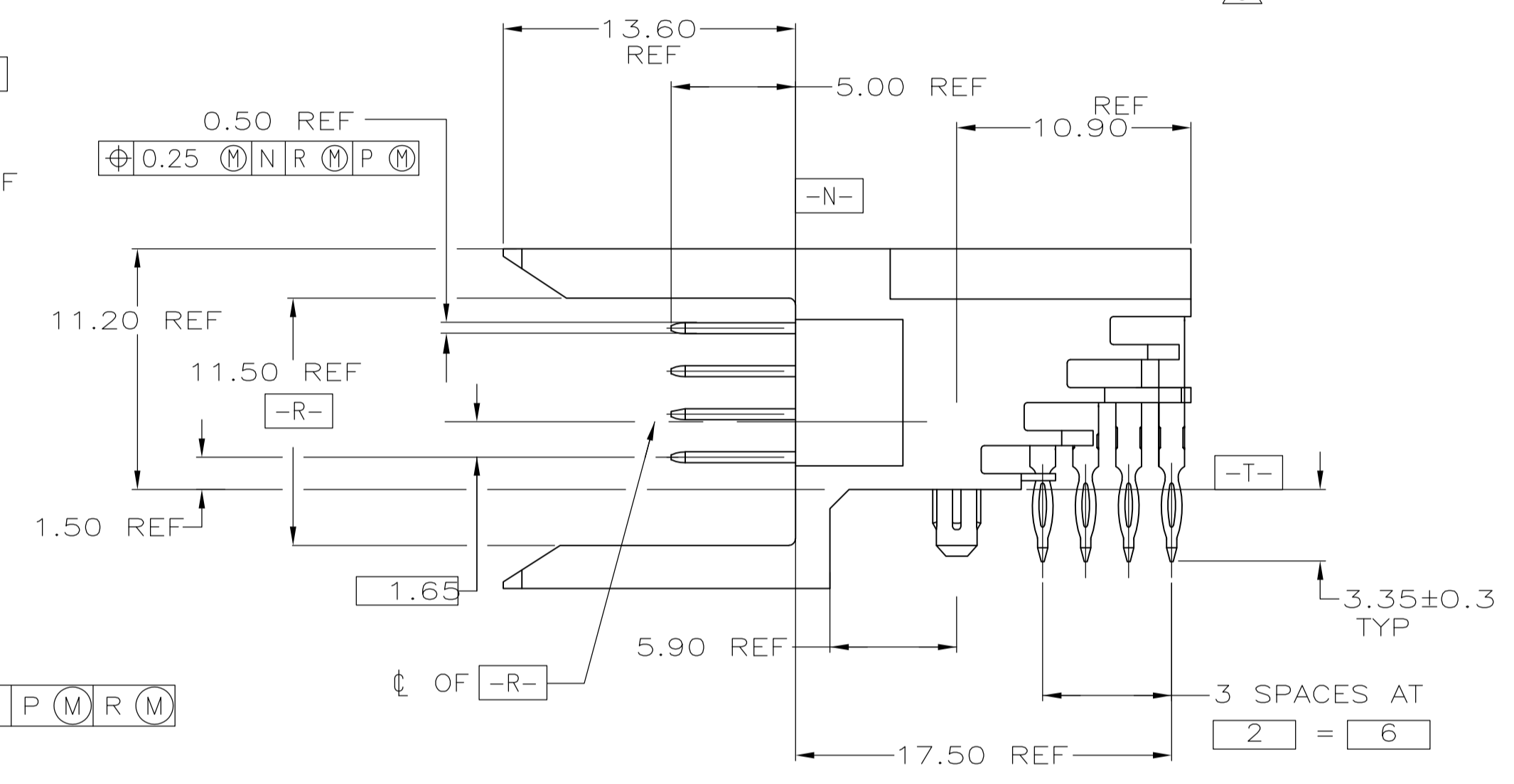


SCALE 20:1



RECOMMENDED CIRCUIT PATTERN
 PER IPC-D300 TYPE II, CLASS C
 (COMPONENT SIDE)

- △ HOUSING MATERIAL: LIQUID CRYSTAL POLYMER
 COLOR: NATURAL.
- △ CONTACT MATERIAL: PHOSPHOR BRONZE PER UNS
 ALLOY NO. C51100, TEMPER: H04.
- △ CONTACT FINISH:(C)
 UNDERPLATE (ENTIRE CONTACT):
 0.00127 MIN NICKEL PER SAE-AMS-QQ-N-290
 ON MATING SURFACES:
 CONFORMS TO ALL TESTING SPECIFIED FOR TELCORDIA
 UNCONTROLLED ENVIRONMENT.
 ON LEADS:
 0.0005 MIN MATTE TIN PER ASTM B 545 OVER UNDERPLATE.
 LUBRICATION (MIN MATING SURFACES):
 SURFACE CONDITIONER AFTER PLATING.
- Ⓐ △ PART MARKING PER TE SPEC 115-9009 LOCATED APPROXIMATELY
 AS SHOWN BETWEEN RIBS/SLOTS ON EITHER SIDE OF HOUSING AT
 MANUFACTURER'S DISCRETION.
- △ PART TO BE MARKED WITH DATE CODE ONLY.
- △ OBSOLETE PARTS: OBSOLETE CIS STREAMLINING PER D.RENAUD/D.SINISI

6	58	29	59.88	3	3	120	5223514-6
OBsolete	70	35	71.88	3	3	144	5223514-5
	94	47	95.88	3	3	192	5223514-4
	46	23	47.88	3	3	96	5223514-3
	22	11	23.88	3	3	48	5223514-2
	10	5	11.88	3	3	24	5223514-1
	C	B	A	FINISH	NO OF POSN	PART NUMBER	

THIS DRAWING IS A CONTROLLED DOCUMENT.

DIMENSIONS:	TOLERANCES UNLESS OTHERWISE SPECIFIED:	DIN B MCMMASTER 14DEC04	Tyco Electronics Corporation
mm	0.15 ± -	14DEC04	Harrisburg, PA 17105-3608
1.50 ± 0.10	0.15 ± -	14DEC04	
2.05 ± 0.10	0.15 ± -		
3.00 ± 0.15	0.15 ± -		
4.00 ± 0.15	0.15 ± -		
ANGLES	± -		

ASSEMBLY, PIN, SIGNAL,
 RIGHT ANGLE, 4 ROW, Z-PACK 2mm FB

SIZE: A1 CAGE CODE: 00779 DRAWING NO: 5223514

WEIGHT: RESTRICTED TO: 1

CUSTOMER DRAWING SCALE: 4:1 SHEET: 1 OF 1 REV: B