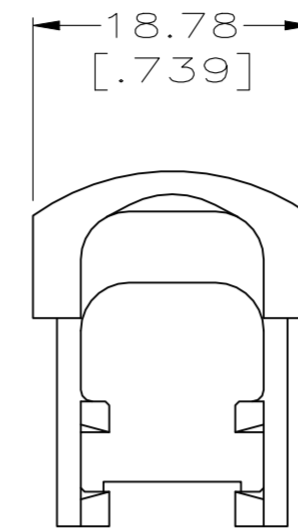
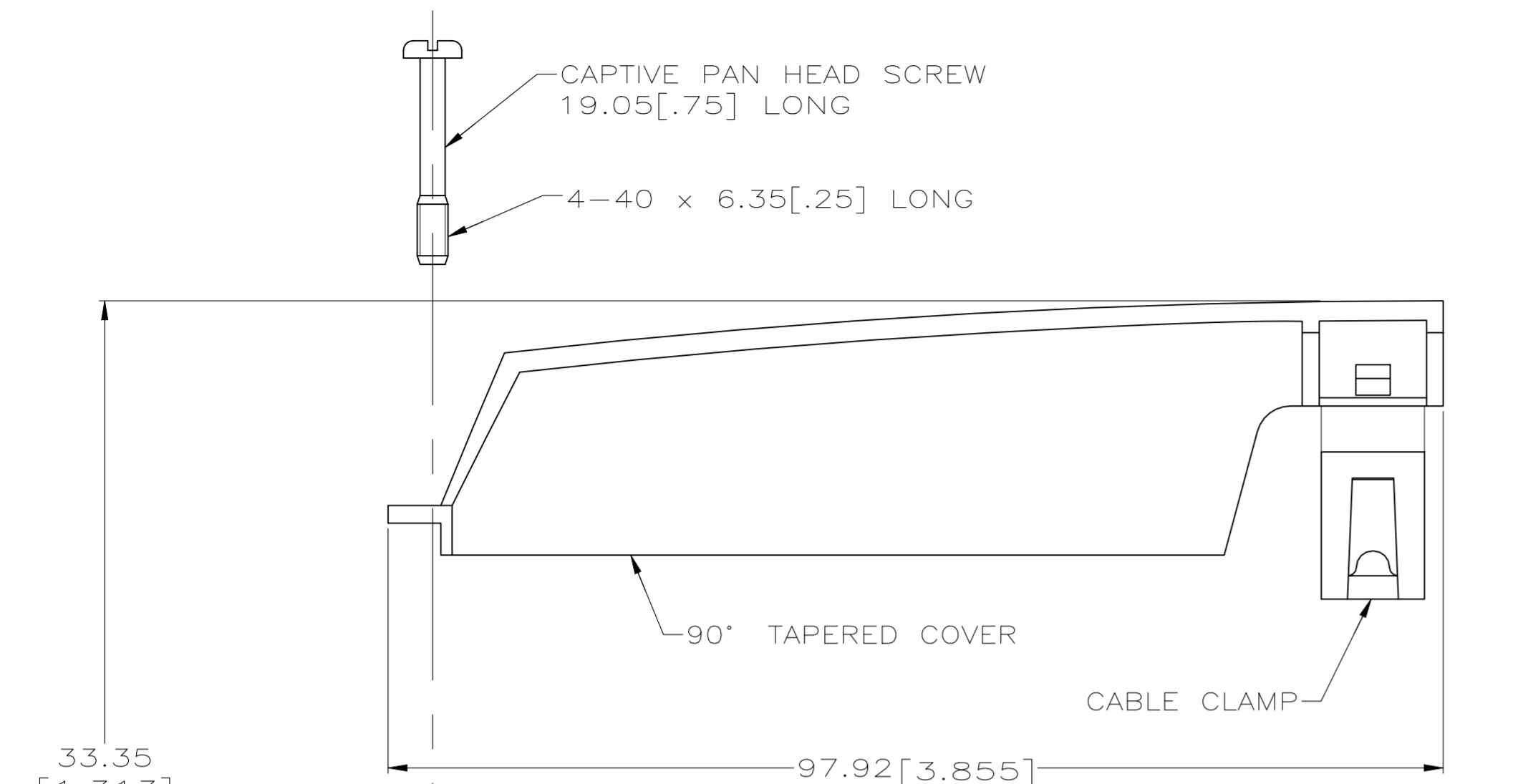


REVISIONS					
P	LTR	DESCRIPTION	DATE	DWN	APVD
B3		REVISED PER ECN-23-240868	24NOV2023	AP	IT



1. THE CONTACT SURFACES OF THE TERMINALS ARE COATED WITH LUBRICANT.

2. DIMENSIONS ARE MAXIMUM UNLESS OTHERWISE SPECIFIED.

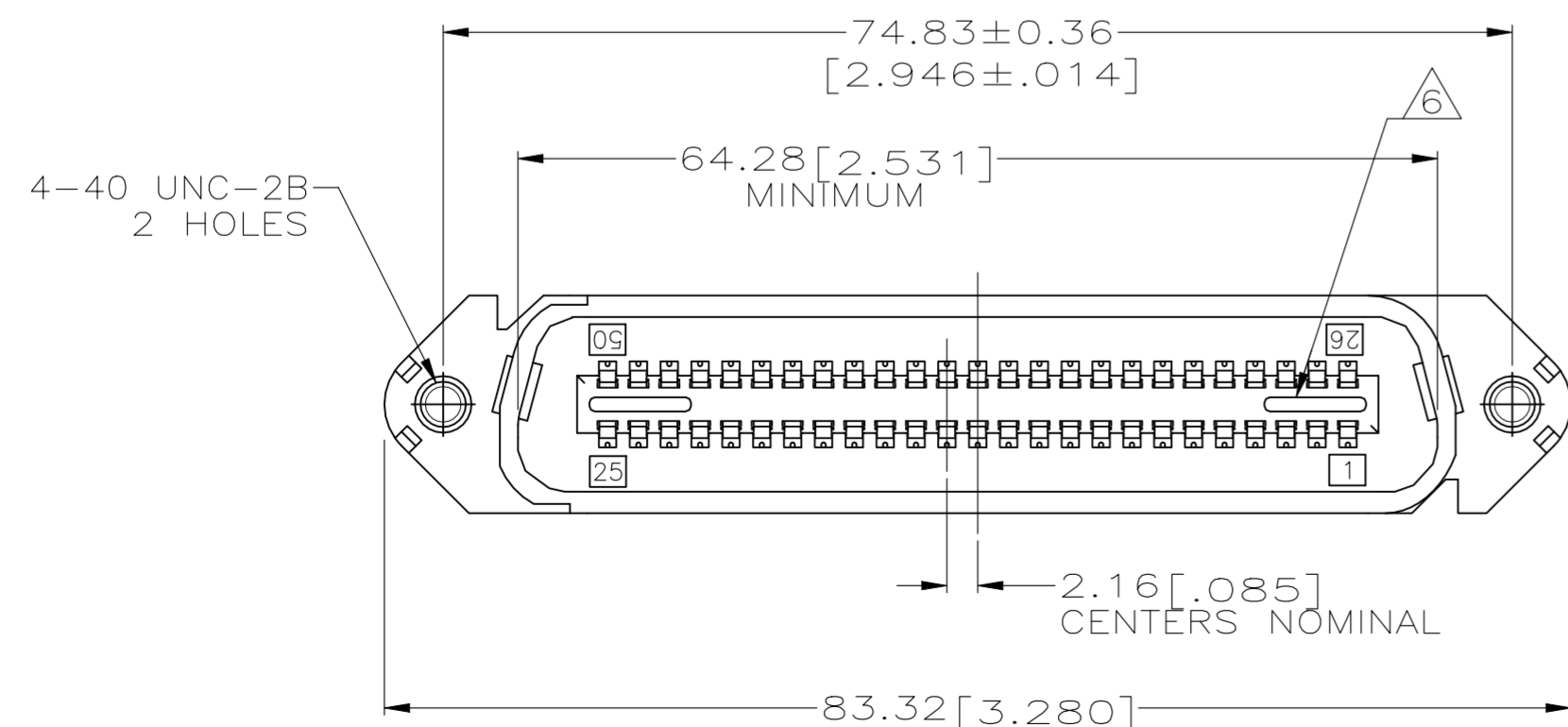
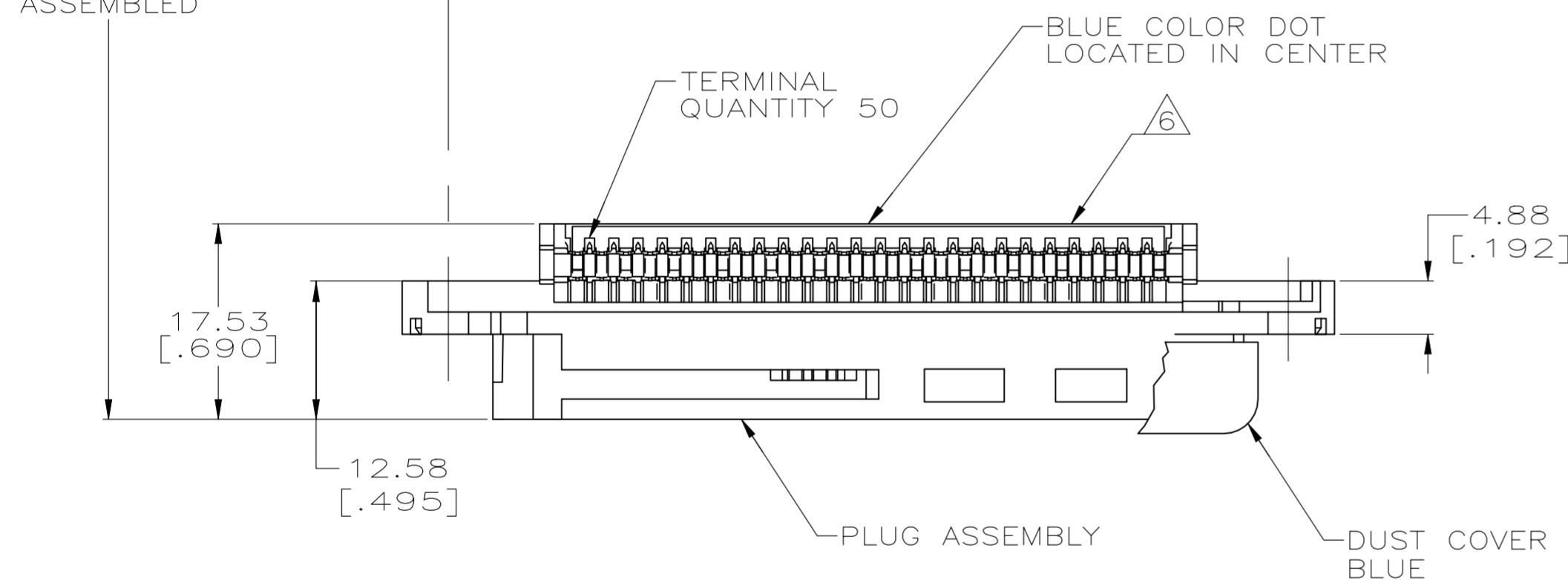
3. MATERIAL: HOUSING AND COVER – POLYPHENYLENE OXIDE.
 CABLE CLAMP – POLYESTER MOLDING COMPOUND.
 TERMINAL – HIGH STRENGTH COPPER ALLOY PLATED WITH 0.76µm [.000030] MIN GOLD OR GOLD FLASH OVER PALLADIUM NICKEL PLATE, 0.76µm [.000030] MIN TOTAL ON MATING SURFACE, OVER 1.27µm [.000050] MIN NICKEL UNDERPLATE.
 HARDWARE – ZINC PLATED STEEL.
 DUST COVER – POLYETHYLENE MOLDING COMPOUND.

4. THIS KIT SHIPPED NOT ASSEMBLED.

5. WIRE SIZE: 24 & 26 AWG SOLID & 24/7 STRAND COPPER CONDUCTORS. MAXIMUM INSULATION DIAMETER OF 1.14[.045] IS ACCEPTABLE FOR MOST APPLICATIONS.

6. CORING MAY OR MAY NOT APPEAR AND IS AT THE DISCRETION OF AMP INCORPORATED.

7. OBSOLETE PARTS: OBSOLETE CIS STREAMLINING PER D.RENAUD/D.SINISI



PACKAGING	CABLE RANGE	DUST COVER	COLOR	PART NUMBER
BULK PACKED	ø7.62–8.26 [ø.300–.325]	YES	BLACK	△6-5229912-7
	ø8.89–10.80 [ø.350–.425]	YES	GRAY	6-5229912-4
NO		BLACK	6-5229912-3	
POLY BAGGED	ø10.80–12.70 [ø.425–.500]	YES	BLACK	3-5229912-1
		NO	BLACK	2-5229912-1
OBSOLETE	ø8.89–10.80 [ø.350–.425]	YES	BLACK	1-5229912-1
		NO	GRAY	5229912-4
		NO	BLACK	5229912-1

THIS DRAWING IS A CONTROLLED DOCUMENT.

DIMENSIONS: mm [INCHES]	TOLERANCES UNLESS OTHERWISE SPECIFIED:	DWN G.PETERS 23SEP2005	TE TE Connectivity
0 PLC ± -	1 PLC ± -	CHK W.MILLHIMES 23SEP05	
2 PLC ± -	2	APVD M.WALMSLEY 23SEP05	NAME
3 PLC ± -		PRODUCT SPEC	PLUG KIT, 50 POSITION, B-SLOT SCREW LOCK WITH TAPERED COVER, CHAMP-LOK
4 PLC ± -		APPLICATION SPEC	SIZE A2 CAGE CODE 00779 DRAWING NO C=5229912 RESTRICTED TO
MATERIAL	FINISH	WEIGHT 0.000000	SHEET 1 OF 1 REV B3
3	3	CUSTOMER DRAWING	SCALE 2:1