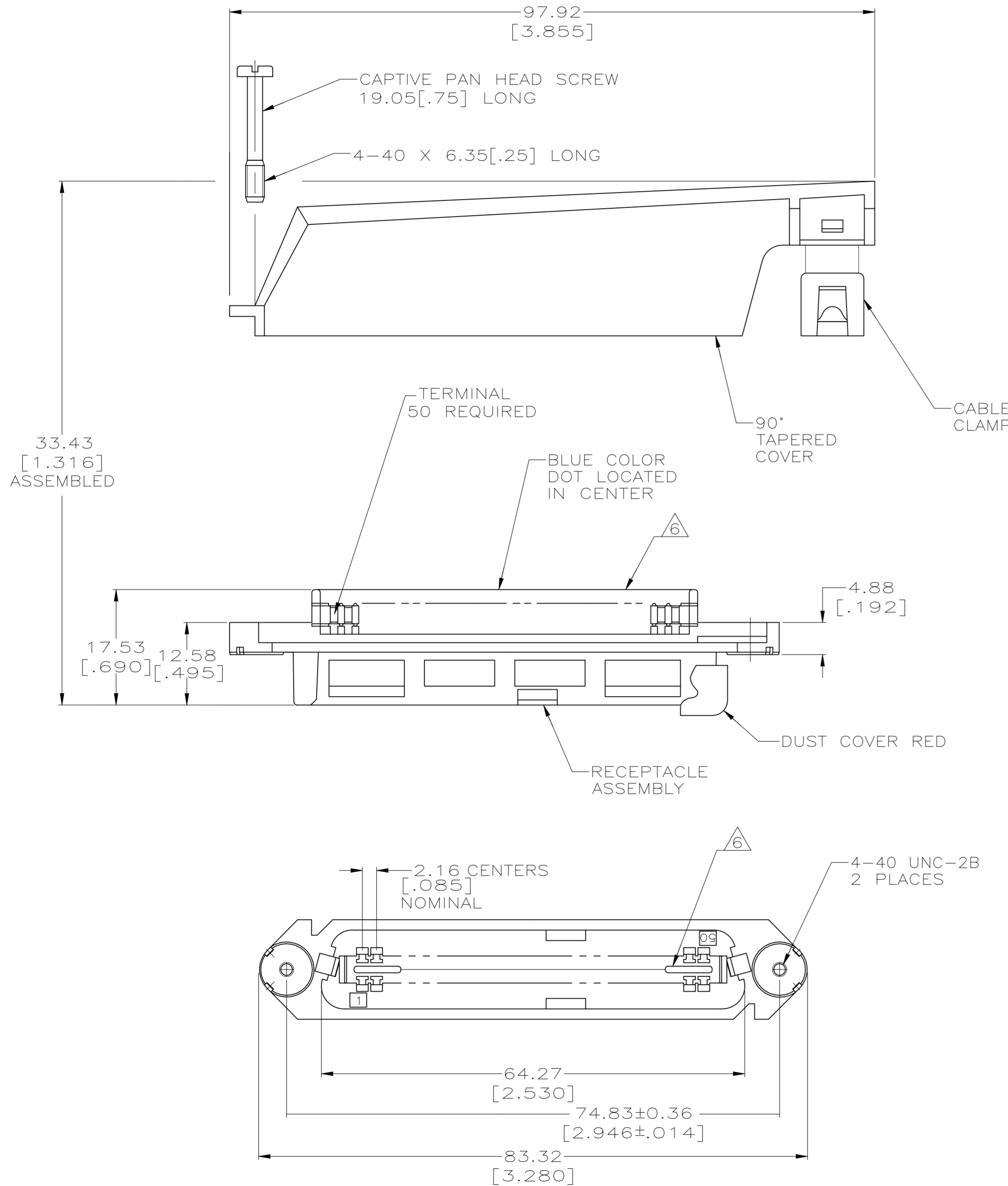


REVISIONS					
P	LTR	DESCRIPTION	DATE	DWN	APVD
B3		REVISED PER ECN-23-240868	24NOV2023	AP	IT



- THE CONTACT SURFACES OF THE TERMINALS ARE COATED WITH LUBRICANT.
- DIMENSIONS ARE MAXIMUM UNLESS OTHERWISE SPECIFIED.
- MATERIAL: HOUSING AND COVER - POLYPHENYLENE OXIDE.
CABLE CLAMP - POLYESTER MOLDING COMPOUND.
TERMINAL - HIGH STRENGTH COPPER ALLOY PLATED WITH 0.76µm [.000030] MIN GOLD OR GOLD FLASH OVER PALLADIUM NICKEL PLATE, 0.76µm [.000030] MIN TOTAL ON MATING SURFACE, OVER 1.27µm [.000050] MIN NICKEL UNDERPLATE.
HARDWARE - ZINC PLATED STEEL.
DUST COVER - POLYETHYLENE MOLDING COMPOUND.
- THIS KIT SHIPPED NOT ASSEMBLED.
- WIRE SIZE: 24 & 26 AWG SOLID & 24 AWG STRAND COPPER CONDUCTORS. MAXIMUM INSULATION DIAMETER OF 1.15 [.045] IS ACCEPTABLE FOR MOST APPLICATIONS.
- CORING MAY OR MAY NOT APPEAR AND IS AT THE DISCRETION OF AMP INCORPORATED.
- OBsolete PARTS: OBsolete CIS STREAMLINING PER D.RENAUD/D.SINISI

PACKAGING	CABLE RANGE	DUST COVER	COLOR	PART NUMBER
BULK PACKED	ø7.62-8.26 [ø.300-.325]	YES	BLACK	6-5229913-7
	ø8.89-10.80 [ø.350-.425]	YES	GRAY	6-5229913-4
		YES	BLACK	6-5229913-3
POLY BAGGED	ø10.80-12.70 [ø.425-.500]	NO	BLACK	6-5229913-1
		YES	BLACK	3-5229913-1
	ø8.89-10.80 [ø.350-.425]	NO	BLACK	2-5229913-1
		YES	GRAY	1-5229913-4
OBsolete		YES	BLACK	1-5229913-1
		NO	GRAY	5229913-4
		NO	BLACK	5229913-1

THIS DRAWING IS A CONTROLLED DOCUMENT.

DIMENSIONS: mm [INCHES]	TOLERANCES UNLESS OTHERWISE SPECIFIED:	DWN G.PETERS 23SEP05		
	0 PLC ± -	CHK W.MILLHIMES 23SEP05		RECEPTACLE KIT, 50 POSITION, B-SLOT, SCREW LOCK, TAPERED COVER, CHAMP-LOK
	1 PLC ± -	APVD M.WALMSLEY 23SEP05		
	2 PLC ± -	PRODUCT SPEC		
	3 PLC ± -	APPLICATION SPEC		
MATERIAL	FINISH	WEIGHT 0.000000	RESTRICTED TO	
		CUSTOMER DRAWING	SIZE A2 CAGE CODE 00779 DRAWING NO C=5229913	
		SCALE 2:1	SHEET 1 OF 1	
			REV B3	