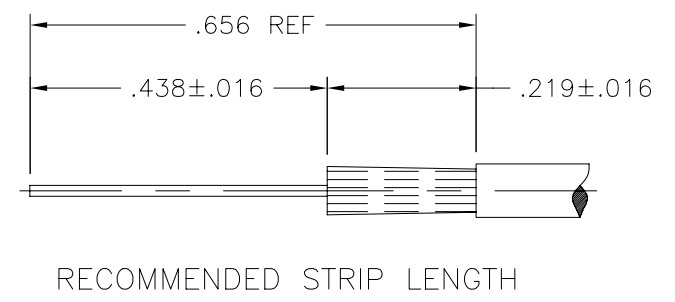
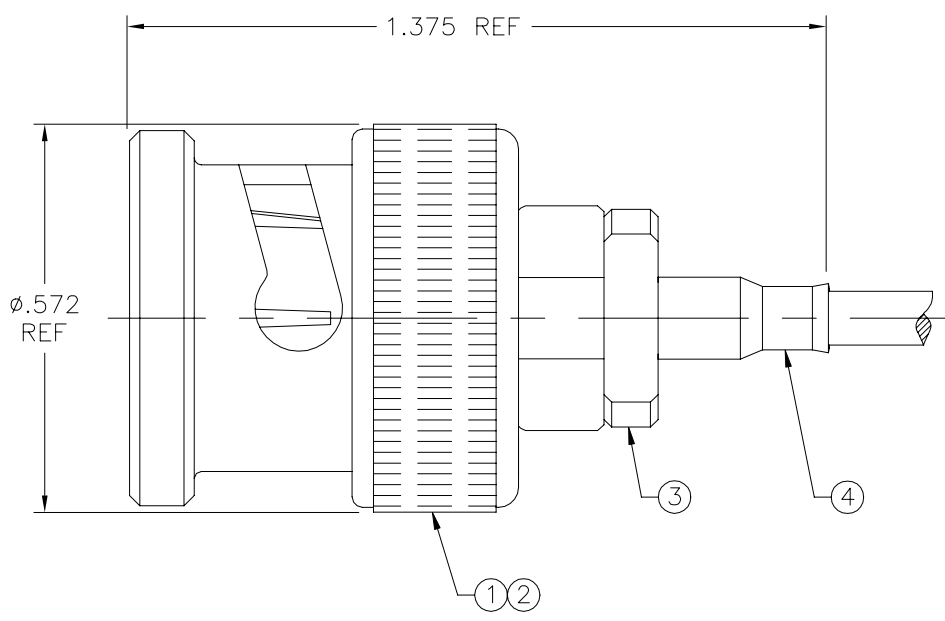



REVISIONS					
P	LTR	DESCRIPTION	DATE	DWN	APVD
	A1	REVISED PER ECR-22-146621	26JUL2022	RZ	WK

1. FOR USE WITH: RG-174/U & 188/U CABLE.
2. USE CRIMPING TOOL: 69245-2
3. SEE INSTRUCTION SHEET 408-1799-1.



9-328666-3	9-50780-8	2-329106-1	9-329804-0	2-5330061-1												
④ FERRULE QTY=1	③ CRIMP AND ASSY QTY=1	② GASKET QTY=1	① PLUG ASSEMBLY QTY=1	PART NUMBER												
THIS DRAWING IS A CONTROLLED DOCUMENT.		DWN B. MCMASTER 10DEC05	 TE Connectivity													
DIMENSIONS: INCHES		CHK J. LIPPERT 10DEC05														
TOLERANCES UNLESS OTHERWISE SPECIFIED:		APVD J. LIPPERT 10DEC05	NAME CONNECTOR, COAXIAL RF PLUG, SERIES BNC													
<table border="1"> <tr><td>0 PLC</td><td>± -</td></tr> <tr><td>1 PLC</td><td>± -</td></tr> <tr><td>2 PLC</td><td>± -</td></tr> <tr><td>3 PLC</td><td>± -</td></tr> <tr><td>4 PLC</td><td>± -</td></tr> <tr><td>ANGLES</td><td>± -</td></tr> </table>		0 PLC	± -	1 PLC	± -	2 PLC	± -	3 PLC	± -	4 PLC	± -	ANGLES	± -	PRODUCT SPEC -	SIZE A3	
0 PLC	± -															
1 PLC	± -															
2 PLC	± -															
3 PLC	± -															
4 PLC	± -															
ANGLES	± -															
MATERIAL -		APPLICATION SPEC -	CAGE CODE 00779	DRAWING NO C=5330061												
FINISH -		WEIGHT 0.000000	RESTRICTED TO -													
CUSTOMER DRAWING			SCALE 5:1	SHEET 1 of 1												
			REV A1													