

4

3

2

1

THIS DRAWING IS UNPUBLISHED.

RELEASED FOR PUBLICATION

© COPYRIGHT - BY TYCO ELECTRONICS CORPORATION.

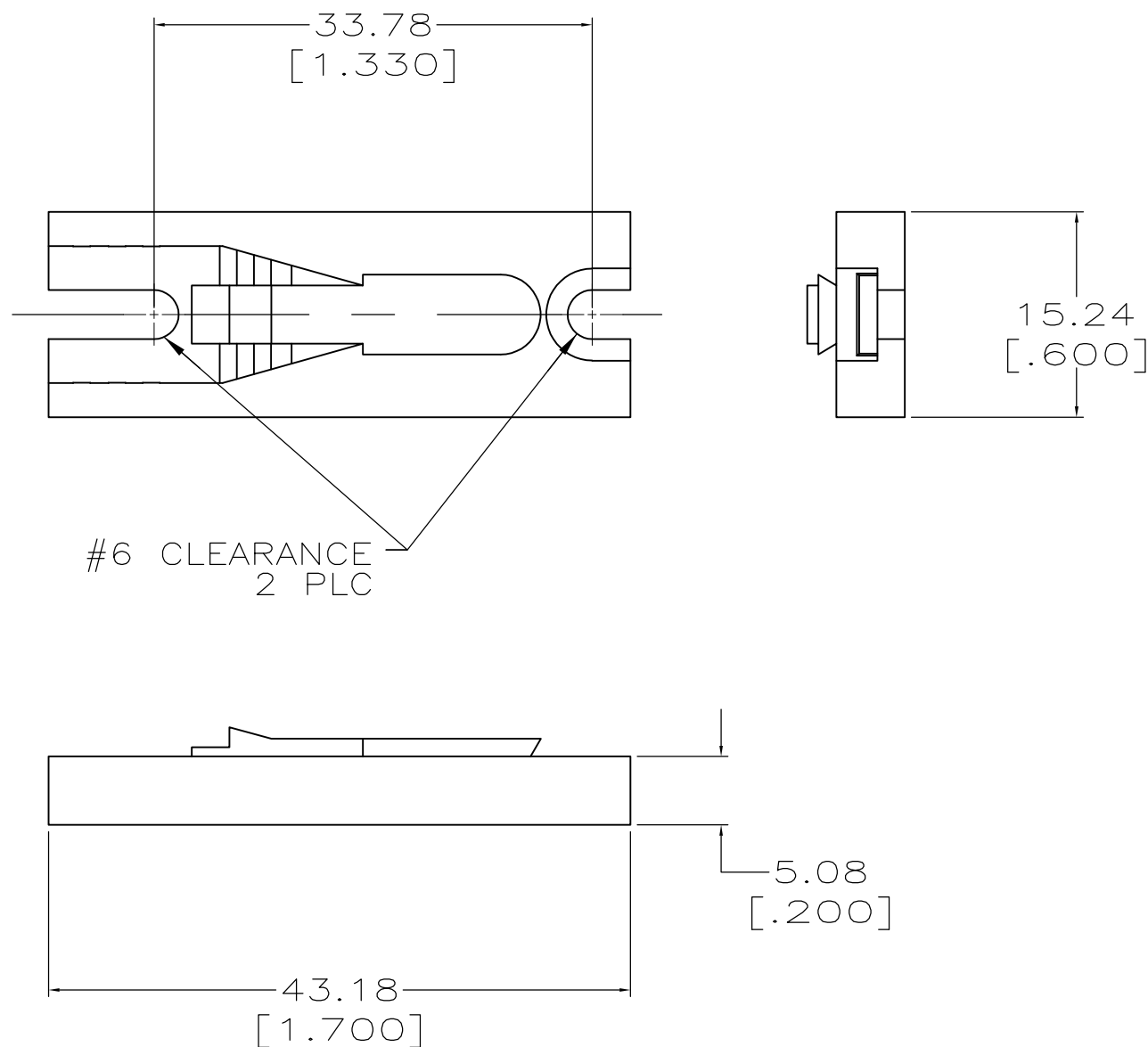
ALL RIGHTS RESERVED.

LOC FT DIST 0

REVISIONS

P	LTR	DESCRIPTION	DATE	DWN	APVD
	E	REVISED PER ECO-07-012903	6/4/07	SS	FD

1. SURFACE MOUNTING ADAPTER TO BE USED WITH CONNECTOR 53884.



53885-1

PART NUMBER

THIS DRAWING IS A CONTROLLED DOCUMENT.		DWN M.BINNER 07 APR 97	Tyco Electronics Corporation Harrisburg, PA 17105-3608			
DIMENSIONS: mm [INCHES]		CHK R.STONE 24 APR 97				
TOLERANCES UNLESS OTHERWISE SPECIFIED:		APVD M.MCALONIS 22 MAY 97	NAME MOUNTING ADAPTER, SURFACE, SERIES 2, POWER LOCK			
0 PLC ± - 1 PLC ± - 2 PLC ± 0.25 [.010] 3 PLC ± - 4 PLC ± - ANGLES ± -		PRODUCT SPEC 108-11043	RESTRICTED TO			
MATERIAL POLYCARBONATE,		FINISH -	APPLICATION SPEC 114-6032	SIZE A3	CAGE CODE 00779	DRAWING NO C-53885
CUSTOMER DRAWING			WEIGHT -	SCALE 4:1	SHEET 1 OF 1	REV E