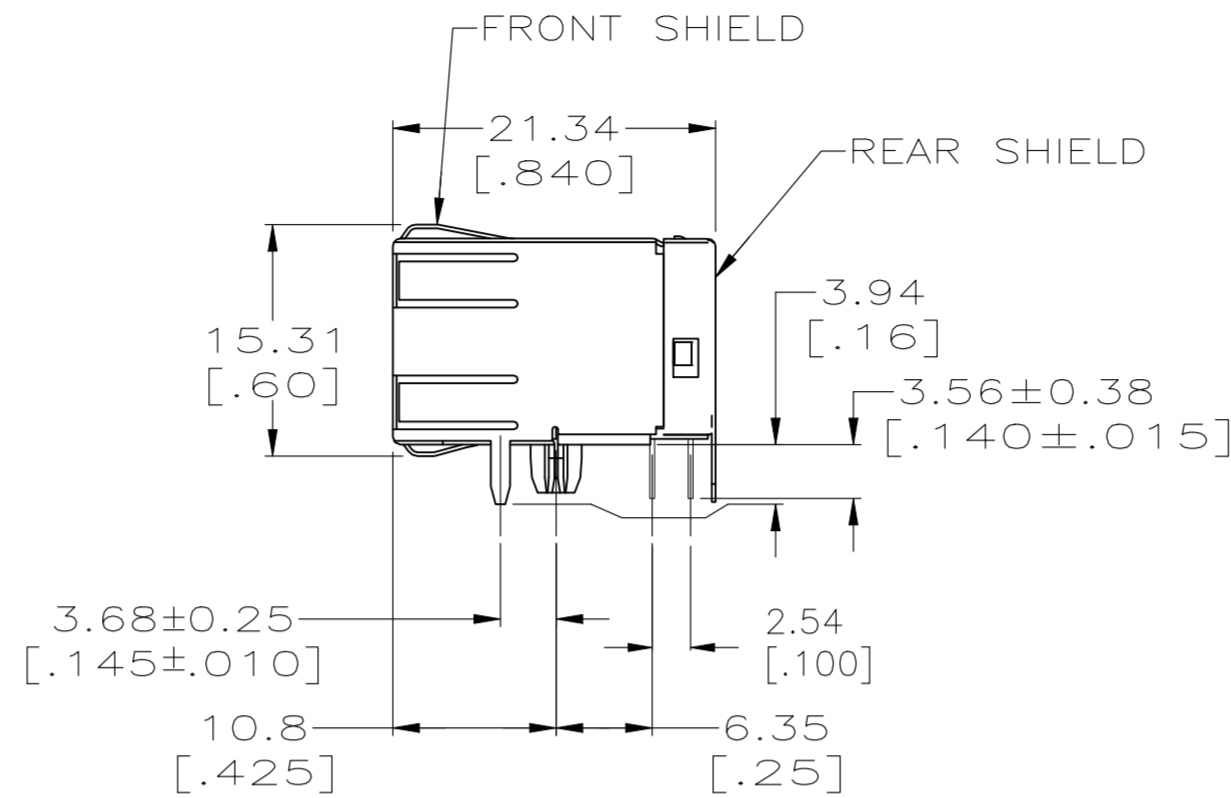
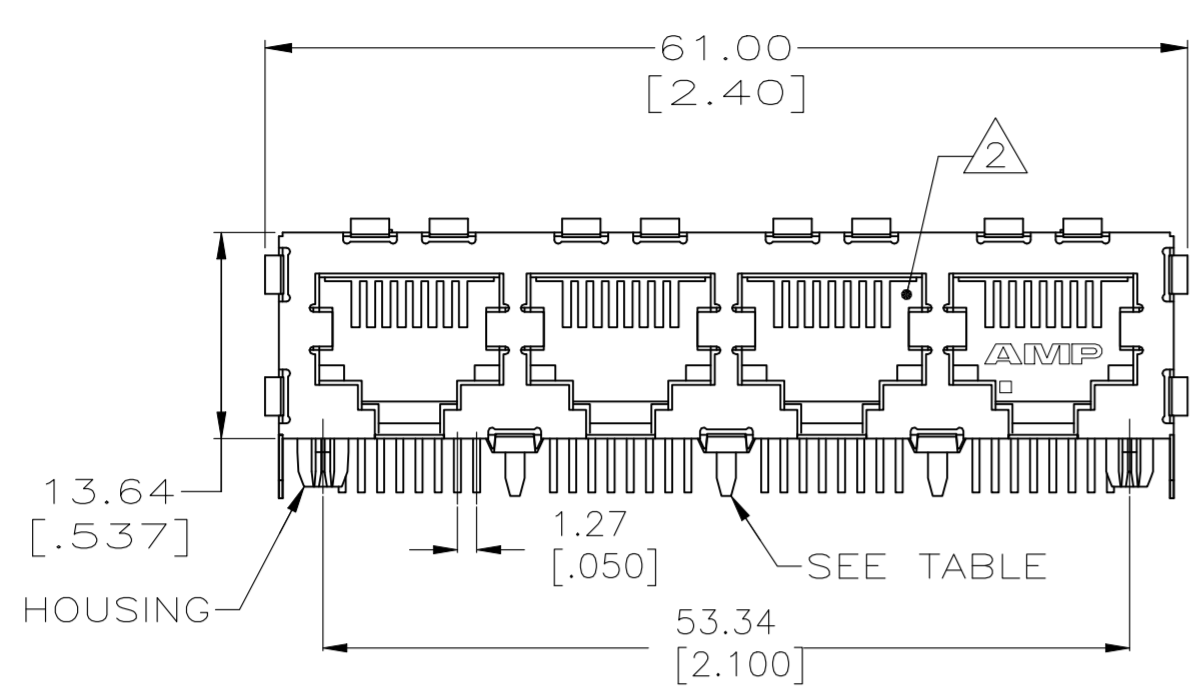
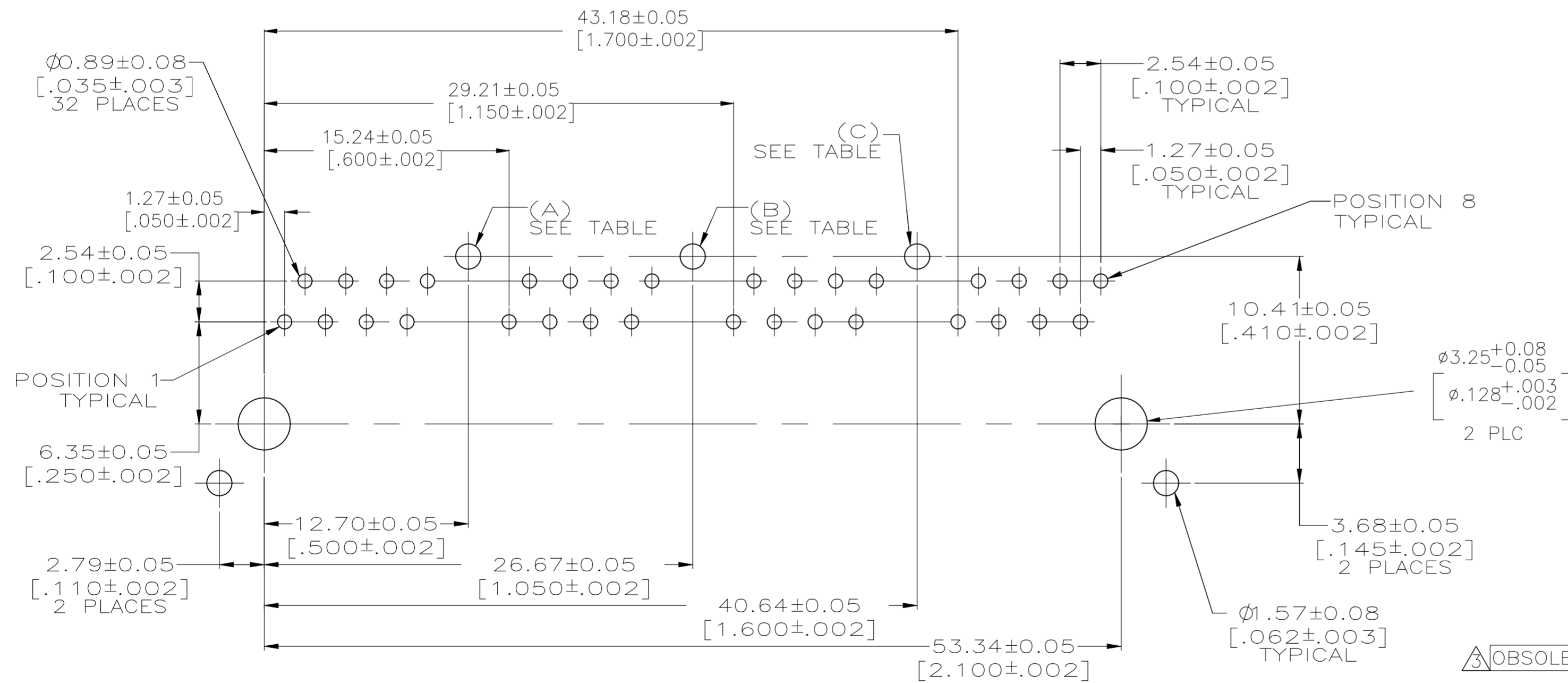


REVISIONS					
P	LTR	DESCRIPTION	DATE	DWN	APVD
C2		ECR-19-014657	13DEC2020	RR	SZ



- MATERIAL:  
HOUSING - NYLON, BLACK, UL 94V-0.  
OVERMOLDED TERMINAL ARRAY - PBT, BROWN.  
TERMINALS - 0.33[.013] THICK PHOS BRONZE PLATED WITH 1.27µm[.000050] MINIMUM HARD GOLD IN LOCALIZED AREA AND 3.81µm[.000150] MINIMUM MATTE TIN IN SOLDER AREA OVER 1.27 µm [ .000050] MINIMUM NICKEL UNDERPLATE.  
SHIELD - 0.254[.010] THICK COPPER ALLOY PLATED WITH 1.27µm[.000050] MINIMUM NICKEL AND 2.03µm[.000080] MINIMUM HOT TIN DIP ON PCB GROUND TABS.
- △ JACK CAVITY CONFORMS TO FCC RULES AND REGULATIONS, PART 68 SUBPART F.
- △ OBSOLETE PARTS: OBSOLETE CIS STREAMLINING PER D.RENAUD/D.SINISI



SUGGESTED PC BOARD LAYOUT  
COMPONENT SIDE (TOP)  
SCALE 4:1

△ OBSOLETE

(A)	(B)	(C)	ALL THREE	5406275-3
	(B)		(1) MIDDLE	5406275-2
	NONE		NONE	-5406275-1
HOLES USED	NO. OF REAR TABS			PART NO.

THIS DRAWING IS A CONTROLLED DOCUMENT.		DWN J. ALCORTA - DOCK5 07JUN2005	TE Connectivity	
DIMENSIONS: mm [INCHES]		CHK J. WESTMAN 07JUN2005	NAME S. FLICKINGER	
TOLERANCES UNLESS OTHERWISE SPECIFIED:		APVD S. FLICKINGER 07JUN2005	PRODUCT SPEC 108-1163-2	
0 PLC ± -		APPLICATION SPEC 114-2048		
1 PLC ± -		WEIGHT 0.000000	SIZE A2	CAGE CODE 00779
2 PLC ± 0.25[.01]		DRAWING NO C=5406275		
3 PLC ± 0.13[.005]		RESTRICTED TO -		
4 PLC ± -		SCALE 2:1		
ANGLES ± -		SHEET 1 of 1		
FINISH SEE NOTE 1		REV C2		
MATERIAL SEE NOTE 1		CUSTOMER DRAWING		