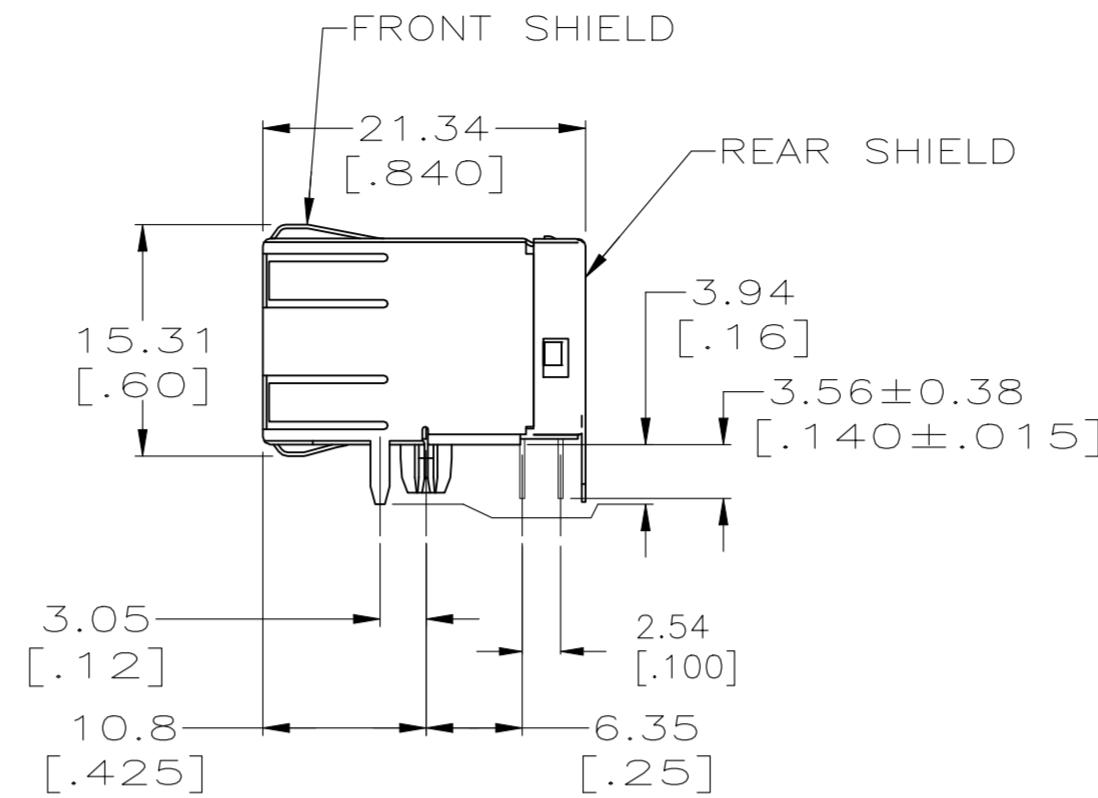
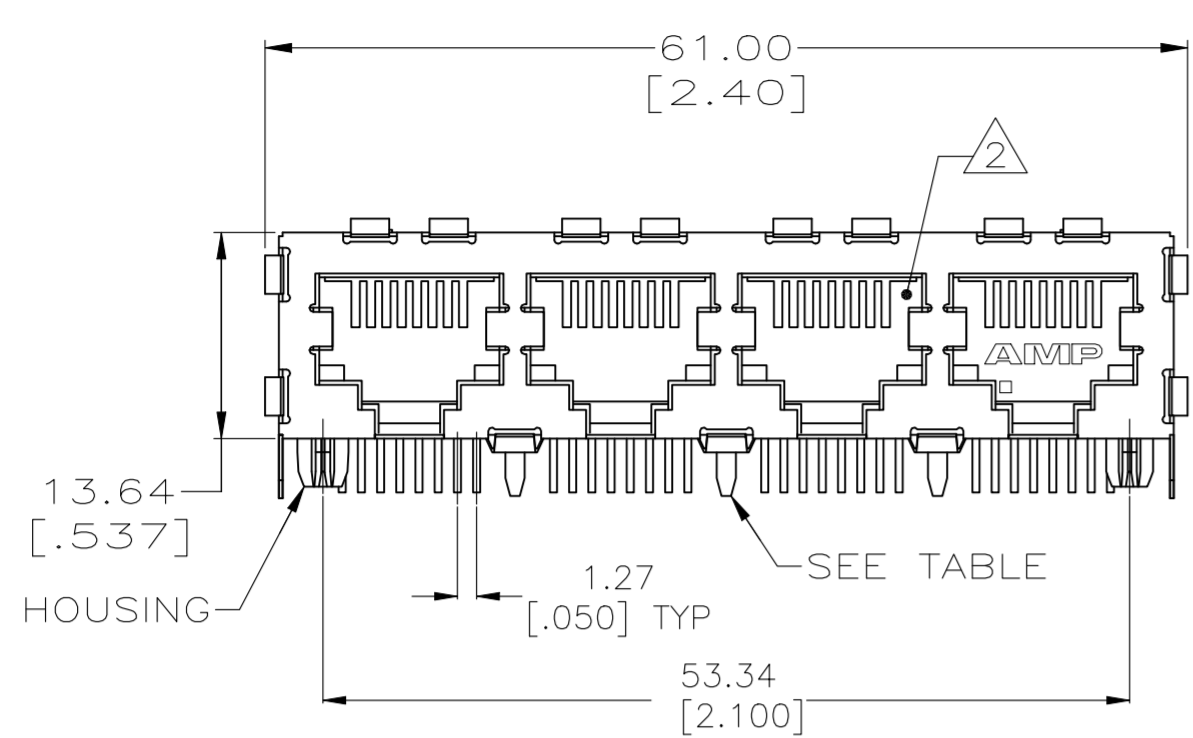


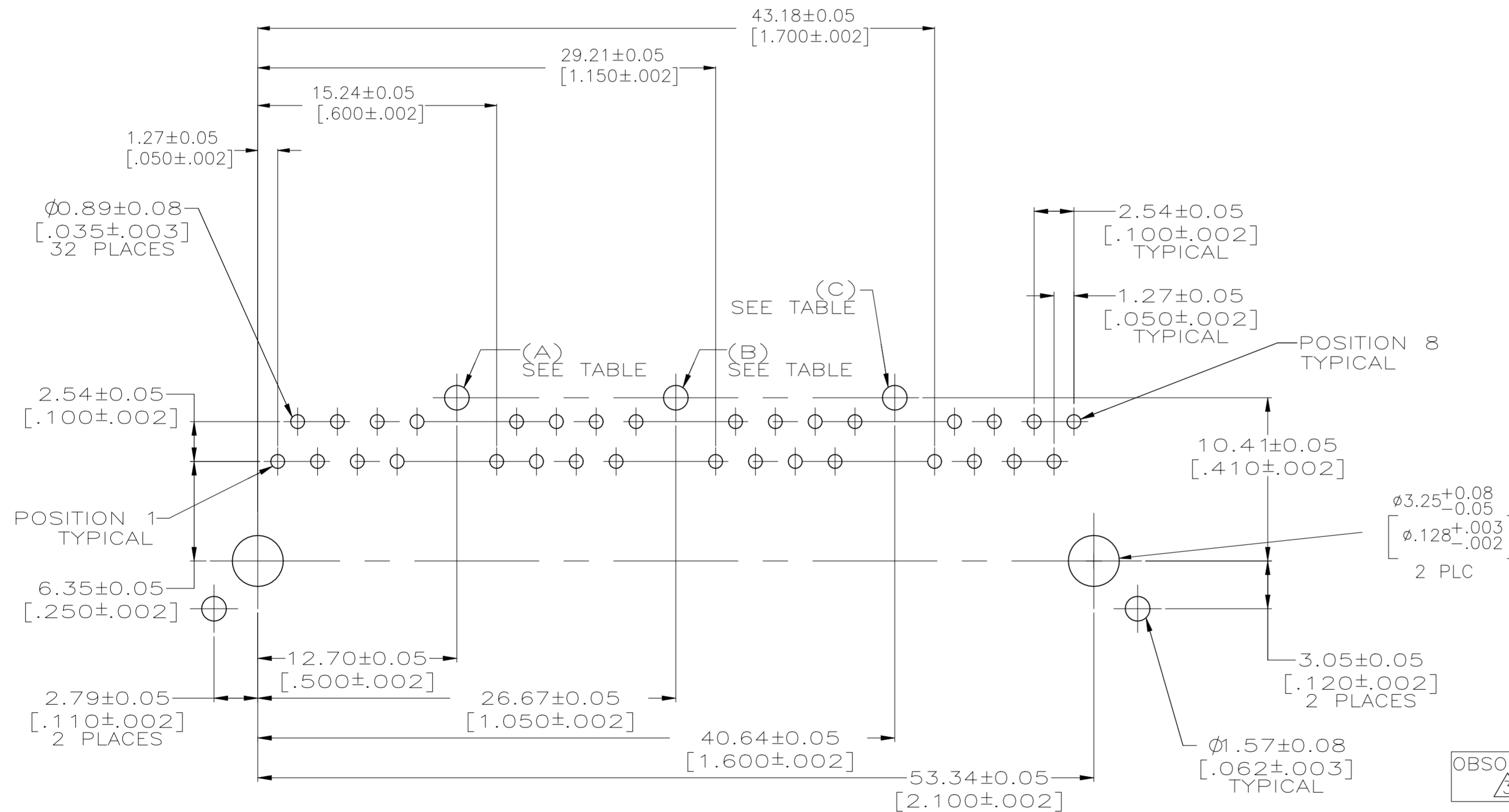
REVISIONS					
P	LTR	DESCRIPTION	DATE	DWN	APVD
C2		ECR-19-014657	13DEC2020	RR	SZ



- MATERIAL:  
 HOUSING - NYLON, COLOR: BLACK, UL 94V-0.  
 OVERMOLDED TERMINAL ARRAY - PBT, BROWN.  
 TERMINALS - 0.33[.013] THICK PHOS BRONZE PLATED WITH 1.27µm[.000050] MINIMUM HARD GOLD IN LOCALIZED AREA AND 3.81µm[.000150] MINIMUM MATTE TIN IN SOLDER AREA OVER 1.27µm[.000050] MINIMUM NICKEL UNDERPLATE.  
 SHIELD - 0.254[.010] THICK COPPER ALLOY PLATED WITH 1.27µm[.000050] MINIMUM NICKEL AND 2.03µm[.000080] MINIMUM HOT TIN DIP ON PCB.  
 GROUND TABS.

△ JACK CAVITY CONFORMS TO FCC RULES AND REGULATIONS, PART 68 SUBPART F.

△ OBSOLETE PARTS: OBSOLETE CIS STREAMLINING PER D.RENAUD/D.SINISI



RECOMMENDED PC BOARD LAYOUT  
 COMPONENT SIDE (TOP)  
 SCALE 4:1

	(A)	(B)	(C)		
OBSOLETE △		(A)	(B)	ALL THREE	5406278-3
		(B)	(1) MIDDLE		-5406278-2-
		NONE	NONE		-5406278-1-
		HOLES USED	NO. OF REAR TABS		PART NO.

THIS DRAWING IS A CONTROLLED DOCUMENT.		DWN J. ALCORTA - DOCK5 07JUN2005	TE Connectivity	
DIMENSIONS: mm [INCHES]	TOLERANCES UNLESS OTHERWISE SPECIFIED:	CHK J. WESTMAN 07JUN2005	NAME	
0 PLC ± -	1 PLC ± -	APVD S. FLICKINGER 07JUN2005	PRODUCT SPEC	
2 PLC ± 0.25[.01]	3 PLC ± 0.13[.005]	APPLICATION SPEC	108-1163-2	
4 PLC ± -	ANGLES ± -	114-2048	SIZE	CAGE CODE
MATERIAL SEE NOTE 1	FINISH SEE NOTE 1	WEIGHT 0.000000	A2	00779
CUSTOMER DRAWING		SCALE 2:1	SHEET 1 of 1	REV C2