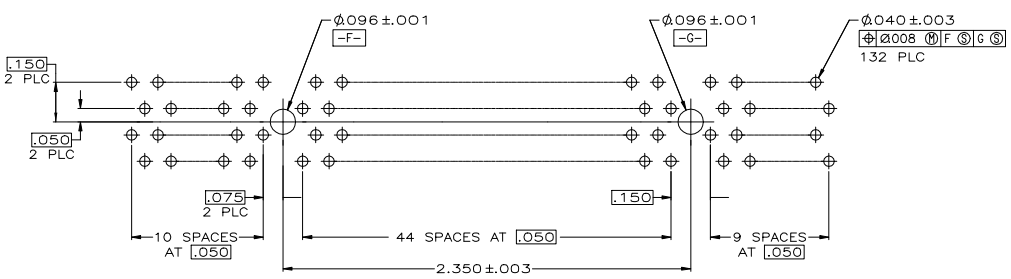
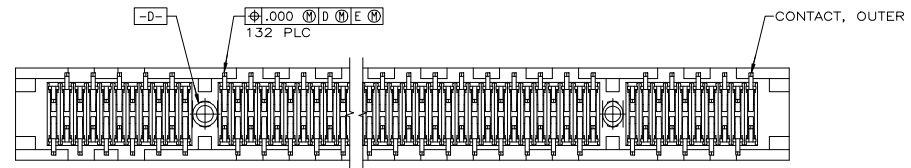
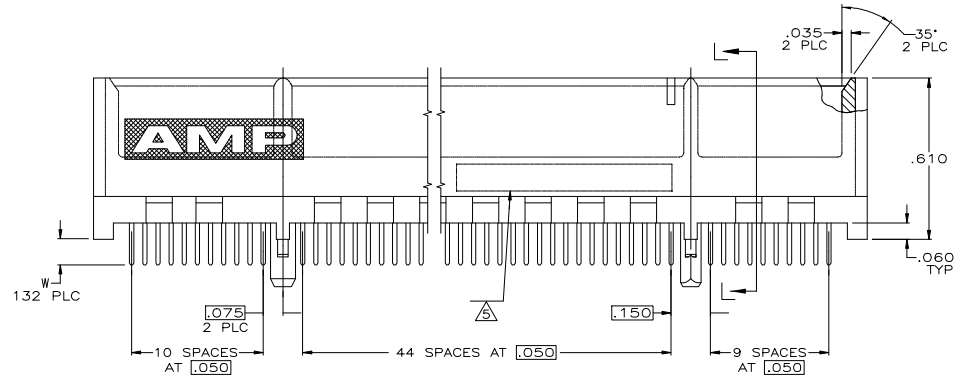
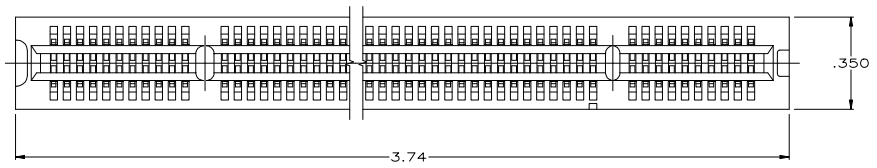
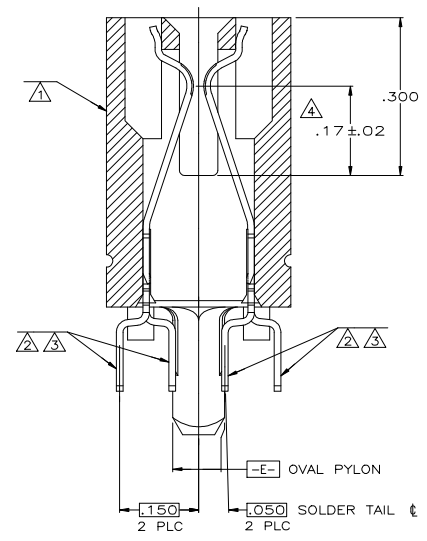


REVISIONS				
REV	DATE	DESCRIPTION	BY	APP'D
B1	ECC-19-002911		25FEB2019	AL HL

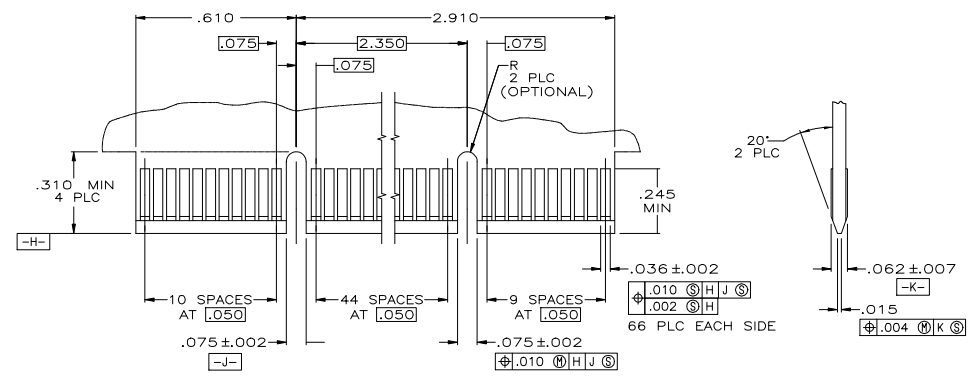


RECOMMENDED CONNECTOR MOUNTING HOLE PATTERN (CONNECTOR SIDE SHOWN)



SECTION L-L SCALE 8:1

- △ HOUSING: HIGH TEMPERATURE THERMOPLASTIC. COLOR: BROWN.
- △ CONTACT: PHOSPHOR BRONZE.
- △ CONTACT FINISH: .000100 MIN NICKEL ALL OVER, .000030 MIN GOLD OVER NICKEL IN CONTACT AREA, .000100 MIN MATTE TIN OVER NICKEL ON SOLDER TAILS.
- △ DISTANCE FROM CONTACT POINT TO BOTTOM OF CARD SLOT.
- △ AMP PART NUMBER, DATE CODE AND CSA LOGO MARKED IN APPROXIMATE AREA SHOWN.



RECOMMENDED MATING BOARD EDGE CONFIGURATION

OBSELETE

.14	5650091-2
.10	5650091-1
W	PART NUMBER

THIS DRAWING IS A CONTROLLED DOCUMENT. DATE: 14 MAR 05. DRAWN BY: AL FRANTUM. CHECKED BY: AL FRANTUM. APD: AL FRANTUM. NAME: AL FRANTUM.

TE Connectivity Ltd.

CONNECTOR ASSEMBLY
66 DUAL POSITION,
.050 SERIES STANDARD EDGE

PRODUCT SPEC: 108-14034
POPULATION SPEC: 114-26012
SIZE: A1
WEIGHT: 0.000000
SCALE: 4:1

DATE CODE: 00779
DRAWING NO: 5650091
SHEET 1 OF 1
REV B1