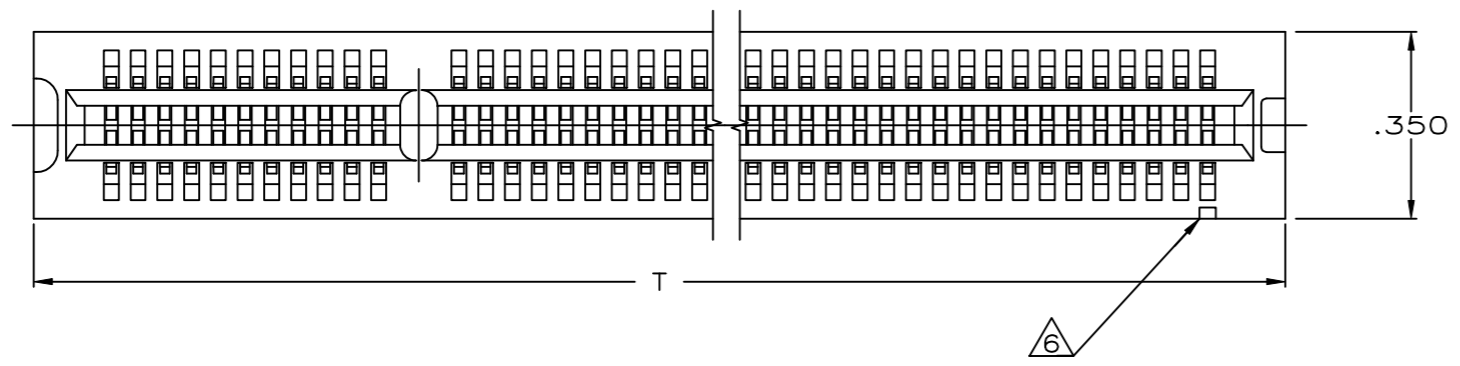
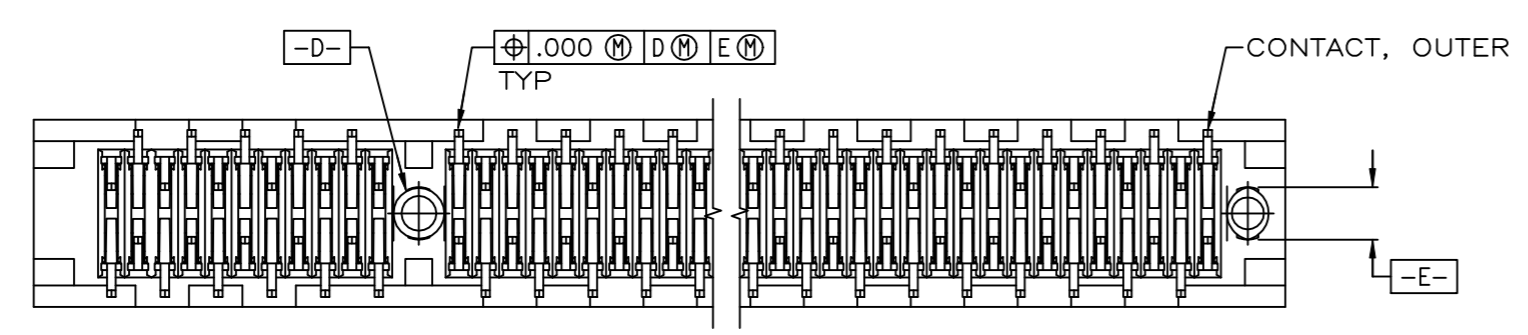
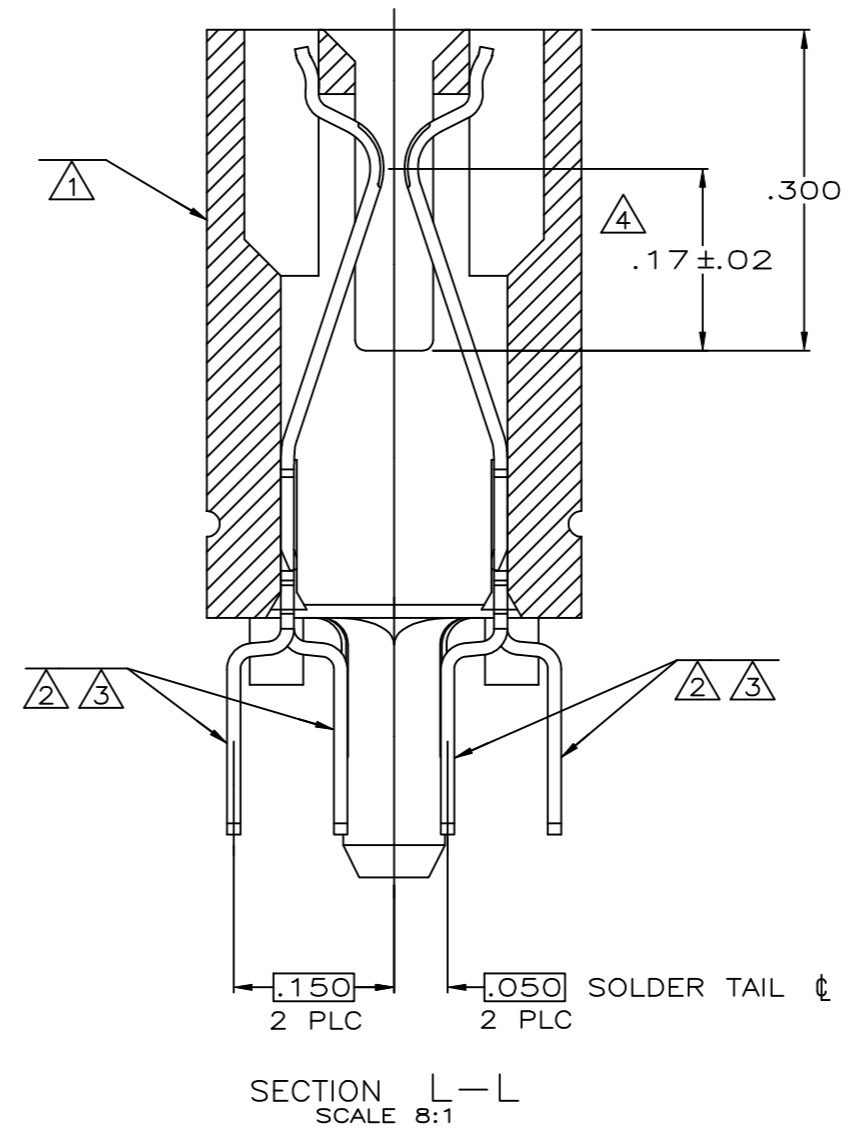
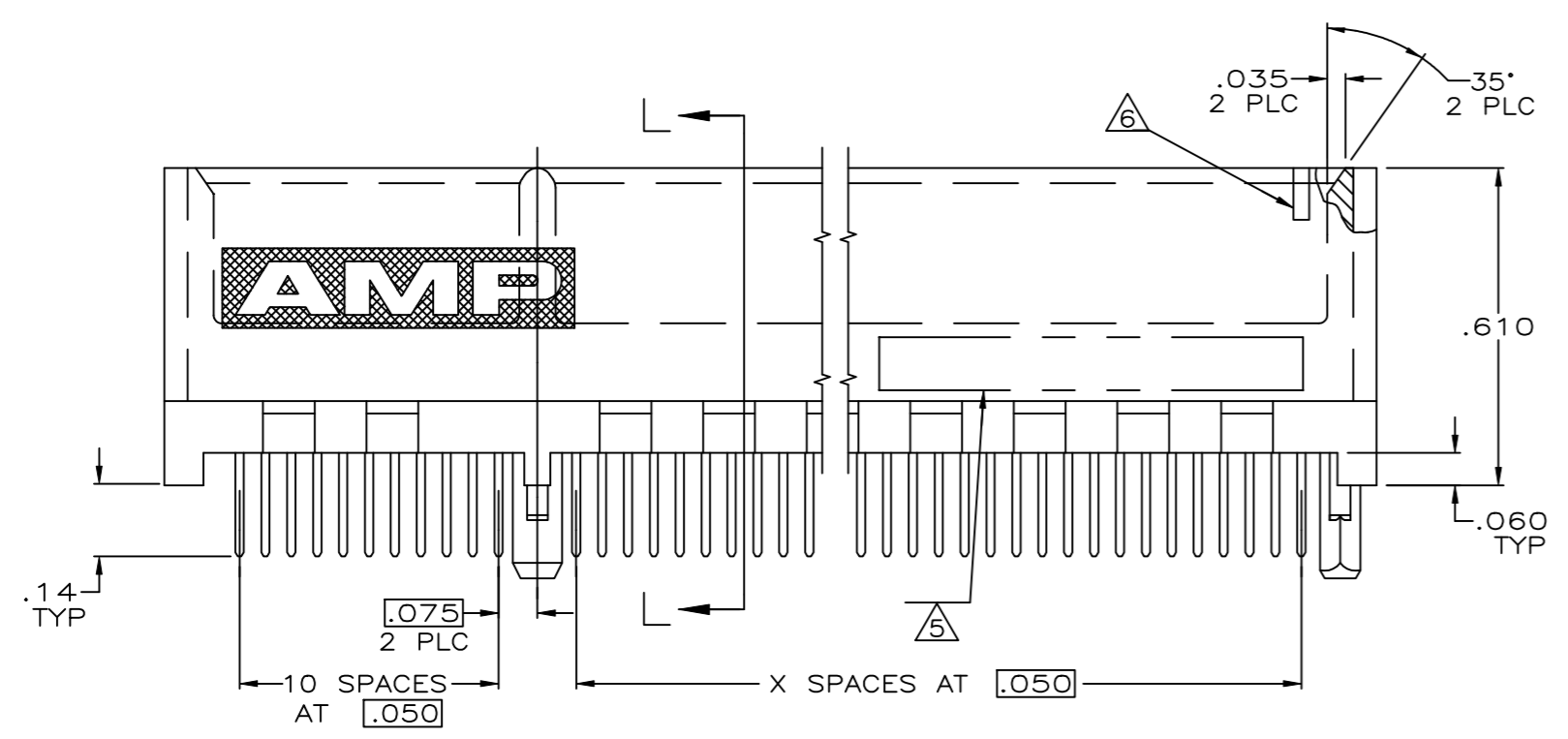


REVISIONS				
P	LTR	DESCRIPTION	DATE	DWN APVD
A		ECO-18-017212	30NOV2018	FL HL



- ① HOUSING: HIGH TEMPERATURE THERMOPLASTIC. COLOR: BROWN.
- ② CONTACT: PHOSPHOR BRONZE.
- ③ CONTACT FINISH: .000100 MIN NICKEL ALL OVER. .000030 MIN GOLD OVER NICKEL IN CONTACT AREA. .000100 MIN MATTE TIN OVER NICKEL ON SOLDER TAILS.
- ④ DISTANCE FROM CONTACT POINT TO BOTTOM OF CARD SLOT.
- ⑤ AMP PART NUMBER, DATE CODE AND CSA LOGO MARKED IN APPROXIMATE AREA SHOWN.
- ⑥ PIN ONE IDENTIFIER NOTCH ONLY ON PART NUMBERS INDICATED.



SEE SHEET 2 FOR HOLE PATTERNS

NO	B	.700	.660	1.49	11	23	5650181-3
NO	A	1.550	1.510	2.34	28	40	5650181-2
YES	A	2.350	2.310	3.14	44	56	5650181-1
PIN ONE IDENTIFIER	HOLE PATTERN	V	U	T	X	NO OF DUAL POSN	PART NUMBER

THIS DRAWING IS A CONTROLLED DOCUMENT. DWN AL FRANTUM 24 JUN 05
 CHK AL FRANTUM 24 JUN 05
 APVD -

TE TE Connectivity Ltd.

CONNECTOR ASSEMBLY, DUAL POSITION, .050 SERIES.

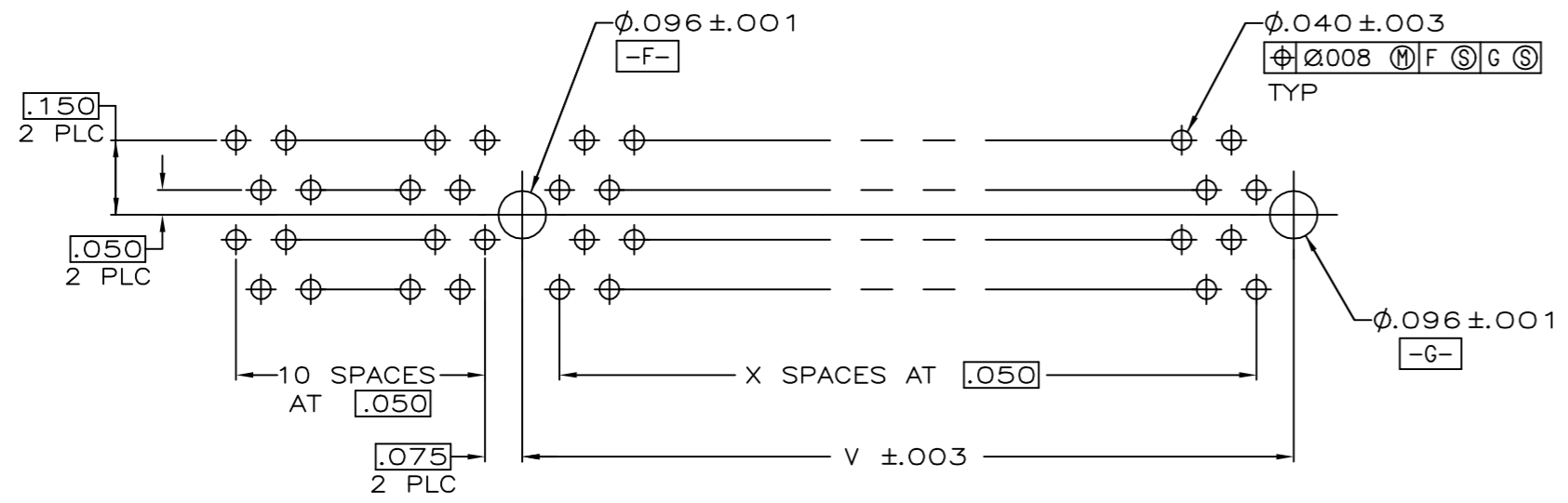
PRODUCT SPEC 108-14034
 APPLICATION SPEC 114-26012
 SIZE A1
 CAGE CODE 00779
 DRAWING NO 5650181
 WEIGHT -
 CUSTOMER DRAWING

DIMENSIONS: INCHES
 TOLERANCES UNLESS OTHERWISE SPECIFIED:
 0 PLC ± -
 1 PLC ± .01
 2 PLC ± .01
 3 PLC ± .005
 4 PLC ± .005
 ANGLES ± °

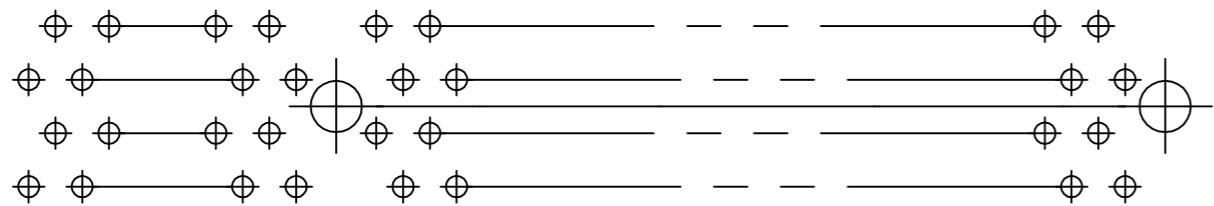
FINISH ③

SCALE 4:1 SHEET 1 OF 2 REV A

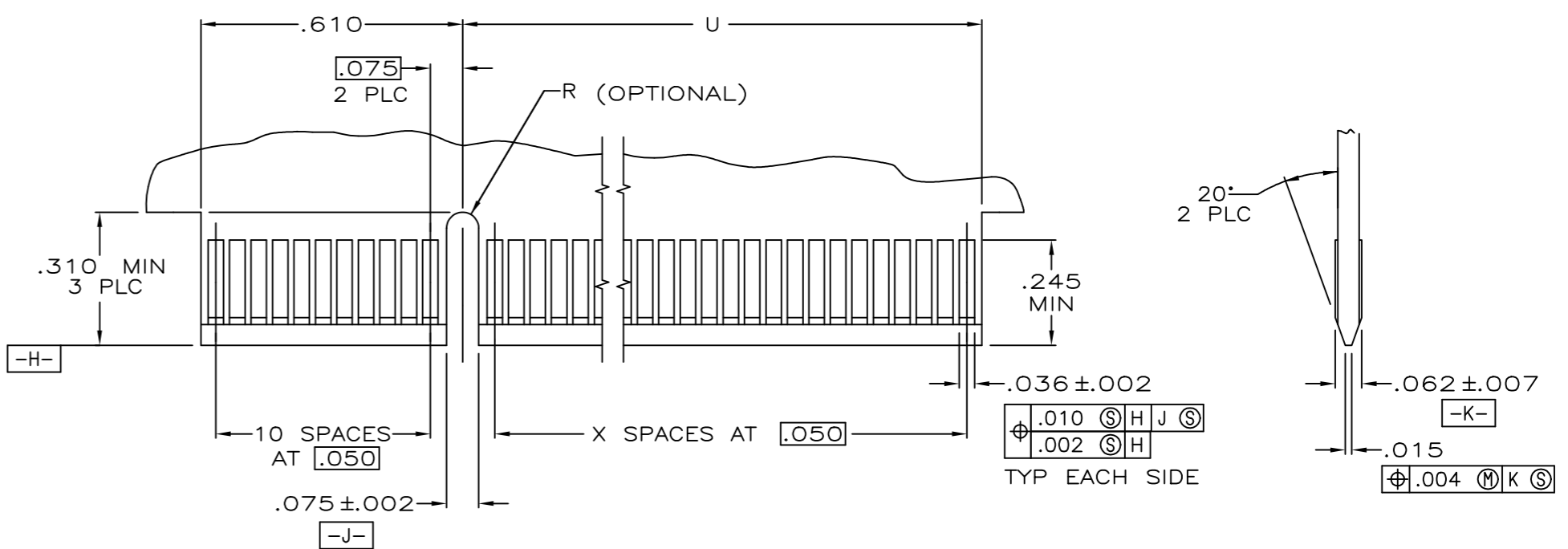
REVISIONS				
P	LNR	DESCRIPTION	DATE	OWN APVD
-	-	SEE SHEET 1	-	-



RECOMMENDED CONNECTOR MOUNTING HOLE PATTERN A
 (CONNECTOR SIDE SHOWN)



RECOMMENDED CONNECTOR MOUNTING HOLE PATTERN B
 (CONNECTOR SIDE SHOWN)



RECOMMENDED MATING BOARD EDGE CONFIGURATION

THIS DRAWING IS A CONTROLLED DOCUMENT.		OWN: AL FRANTUM 24 JUN 05	TE Connectivity Ltd. CONNECTOR ASSEMBLY, DUAL POSITION, .050 SERIES,
DIMENSIONS: INCHES		CHK: AL FRANTUM 24 JUN 05	
DIMENSIONS: INCHES 0 PLC ± - 1 PLC ± .01 2 PLC ± .01 3 PLC ± .005 4 PLC ± .01 ANGLES ± °		APVD: AL FRANTUM	NAME: 108-14034
TOLERANCES UNLESS OTHERWISE SPECIFIED:		PRODUCT SPEC: 108-14034	APPLICATION SPEC: 114-26012
MATERIAL: SEE SHEET 1		FINISH: SEE SHEET 1	SIZE: A1
		WEIGHT: -	CAGE CODE: 00779
		SCALE: 4:1	DRAWING NO: 5650181
		CUSTOMER DRAWING	RESTRICTED TO: -
		SHEET 2 OF 2	REV A