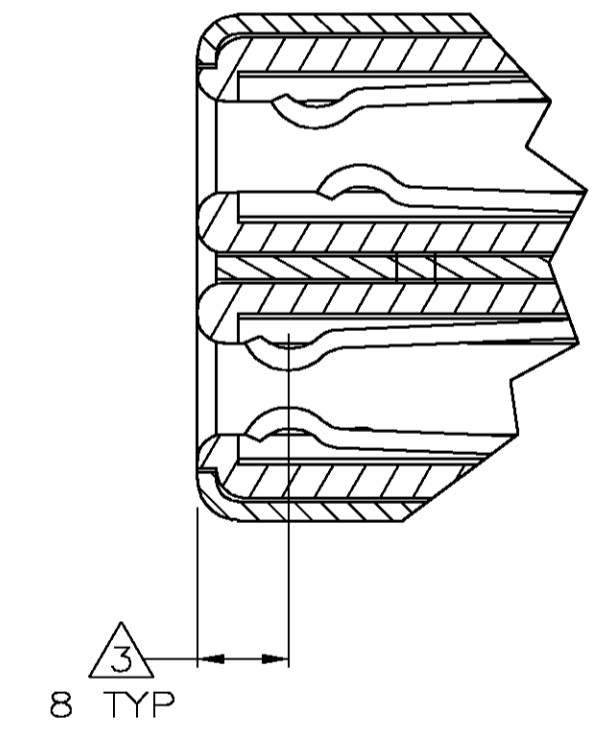
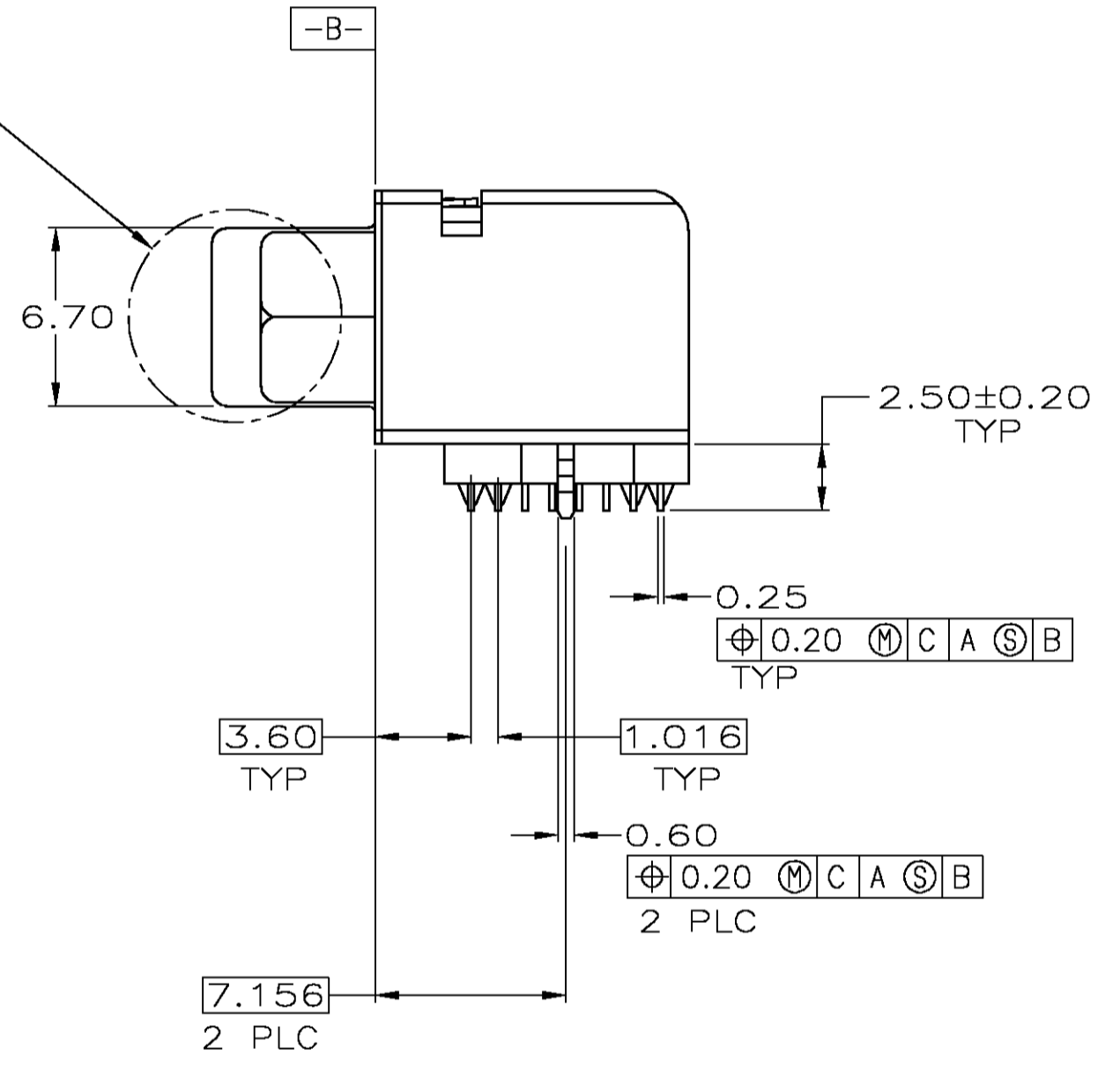
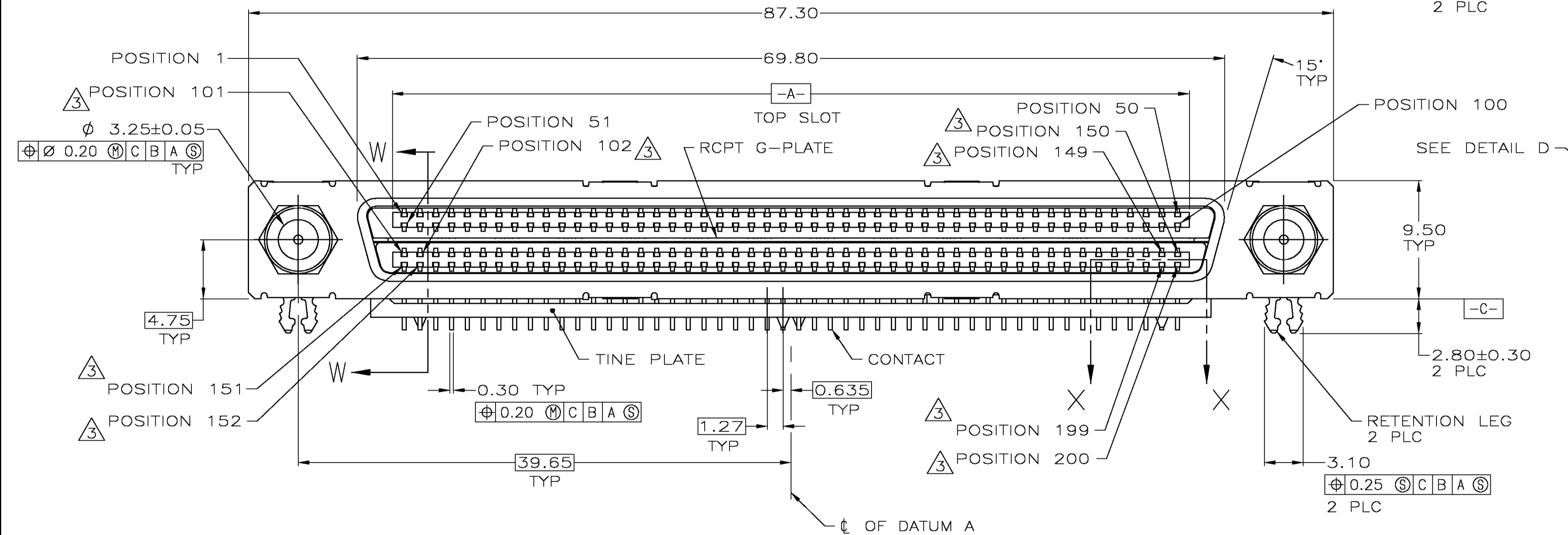
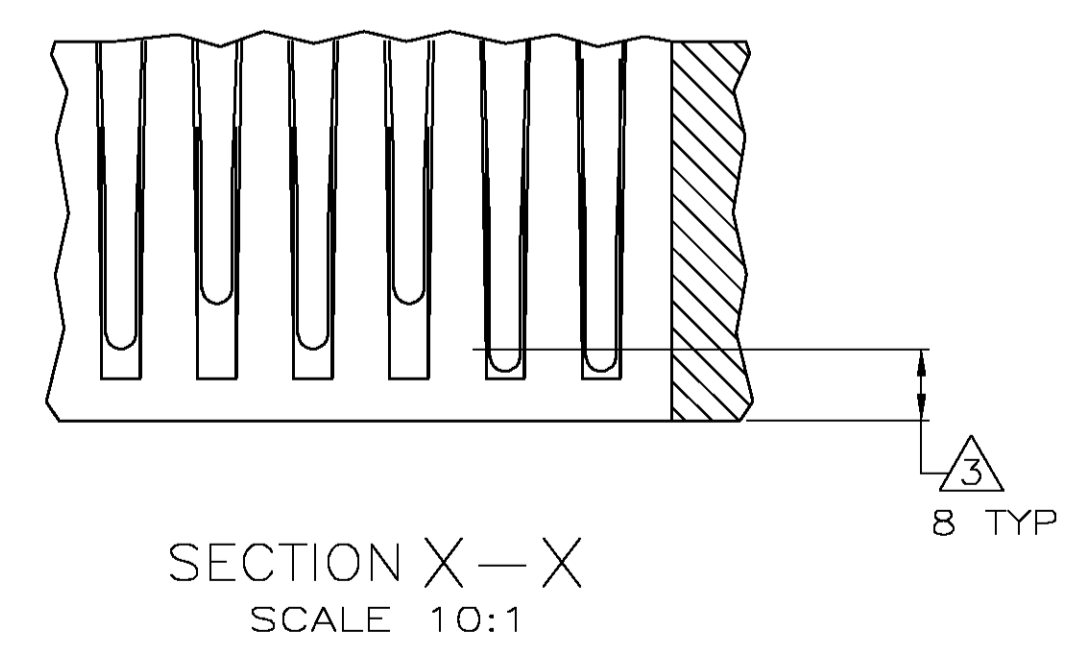
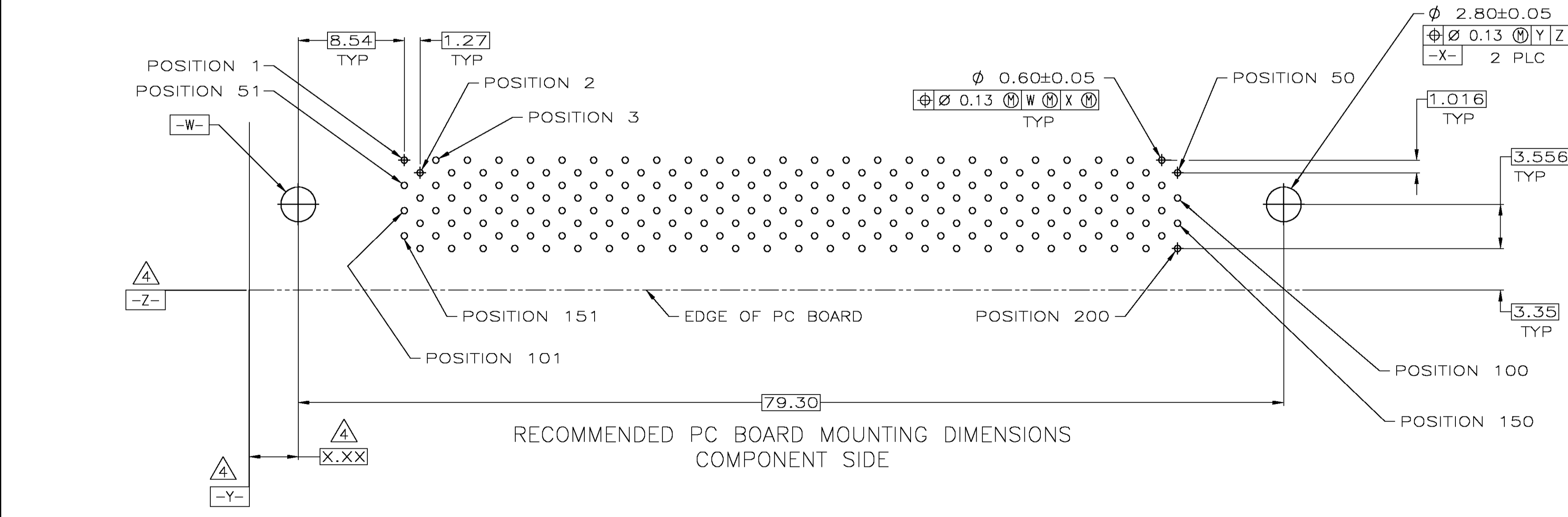


- △ HOUSING AND TINE PLATE: POLYESTER, NATURAL.  
 CONTACTS: PHOSPHOR BRONZE.  
 SHELL: CARBON STEEL.  
 RCPT G-PLATE: STAINLESS STEEL.  
 GUIDE SOCKET AND RETENTION LEG: BRASS.
- △ SHELL: 3.00μm MIN NICKEL OVER 1.30μm MIN COPPER.  
 RETENTION LEG: 2.00μm MIN TIN OVER 1.00μm MIN NICKEL.  
 GUIDE SOCKET: NICKEL OVER COPPER.  
 CONTACTS: 0.76μm MIN GOLD FOR A LENGTH OF 1.10 MIN FROM MATING END,  
 2.54 MIN TIN FOR A LENGTH OF 2.80 MIN FROM OPPOSITE END,  
 BOTH OVER 1.27μm MIN NICKEL.
- △ CONTACTS 101,102,149,150,151,152,199, AND 200 ARE SEQUENCED  
 TOWARD MATING FACE AS SHOWN, ALL OTHERS ARE SEQUENCED IN A  
 STAGGERED PATTERN.
- △ DATUMS AND BASIC DIMENSIONS ESTABLISHED BY CUSTOMER.
- △ DATE CODE MAY BE MARKED ON EITHER END.



DETAIL D  
SCALE 10:1



SECTION X-X  
SCALE 10:1

5787882-1  
PART NUMBER

THIS DRAWING IS A CONTROLLED DOCUMENT.		DIN L VARELA - 12-07-04		Tyco Electronics Corporation	
DIMENSIONS: mm		CHK C. ROHDE 12-07-04		Harriburg, Pa 17105-3608	
TOLERANCES UNLESS OTHERWISE SPECIFIED:		APVD W. WALMSLEY 12-07-04		NAME RECEPTACLE ASSEMBLY, 200 POSITION, RIGHT ANGLE, .050, CHAMP	
0 PLC ± -		PRODUCT SPEC		SIZE A1	
1 PLC ± -		APPLICATION SPEC		CAGE CODE 00779	
2 PLC ± 0.25		WEIGHT		DRAWING NO. C=5787882	
3 PLC ± -		CUSTOMER DRAWING		RESTRICTED TO	
4 PLC ± -		SCALE 1:1		SHEET 1 OF 1	
ANGLES ± ±		REV Q			