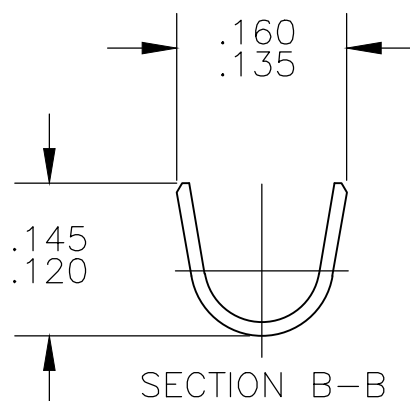
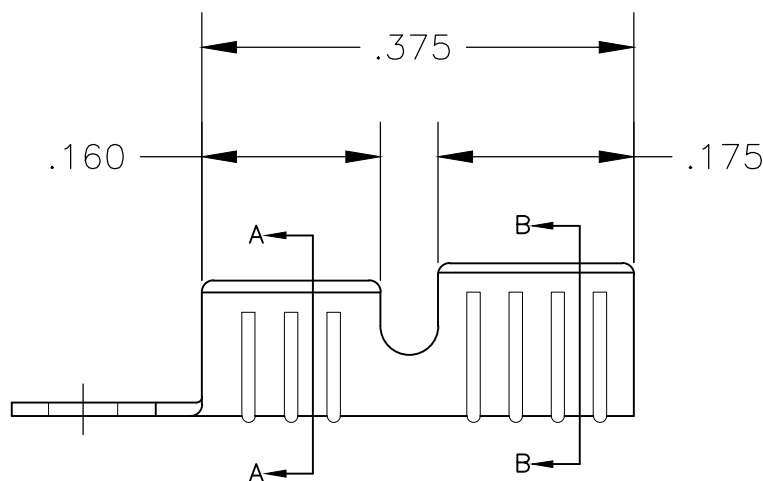
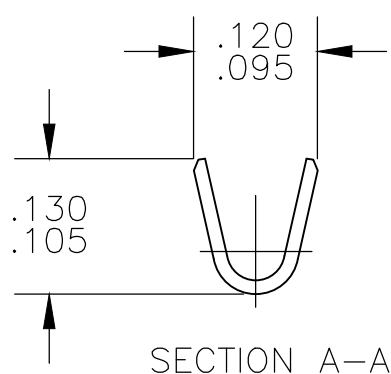
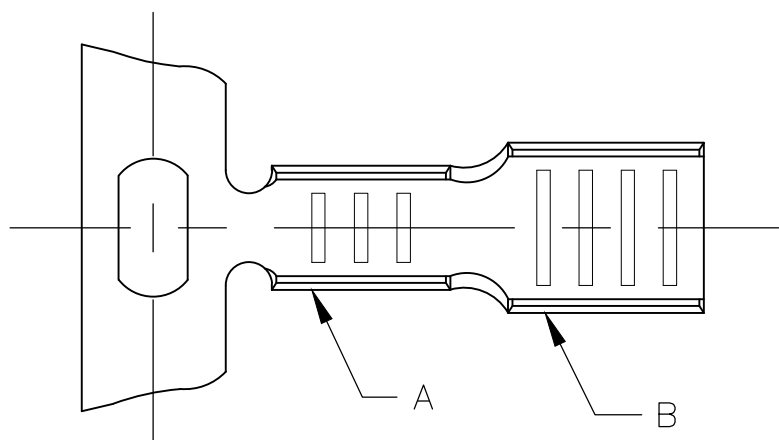


THIS DRAWING IS UNPUBLISHED. RELEASED FOR PUBLICATION
 © COPYRIGHT BY TYCO ELECTRONICS CORPORATION. ALL RIGHTS RESERVED.

LOC	DIST	REVISIONS			
P	LTR	DESCRIPTION	DATE	DWN	APVD
AF	50	H6	REVISED PER ECR-19-017995	02DEC2019	PC MK



- 1 PRODUCT PROVIDED IN STRIP FORM REEL, BREAKS MAY BE PRESENT
- 2 REELING DIRECTION FOR THRU OR BUTT TYPE SPLICE APPLICATOR
- 3 REELING DIRECTION FOR PIGTAIL TYPE SPLICE APPLICATOR
- 4 WIRE RANGE BARREL A: 975-2700 CMA
INSULATION RANGE BARREL B: .080 - .115 DIA
- 5 REF. CRIMP INFO:
BARREL A - .080 "F"
BARREL B - .120 "O"
- 6 PRELIMINARY - NOT FOR PRODUCTION.

2	OBSOLETE	18 - 16	.100 DIA	.012 ST STEEL - NONE	6 61021-4
4	OBSOLETE	-	-	.012 STEEL - NICKEL	3 61021-3
2	OBSOLETE	18 - 16	.100 DIA	.012 BRASS - NONE	61021-2
2		18 - 16	.100 DIA	.012 STEEL - NICKEL	61021-1
		WIRE SIZE AWG BARREL "A"	WIRE SIZE HEATER WIRE BARREL "B"	MATERIAL AND FINISH	PART NO

THIS DRAWING IS A CONTROLLED DOCUMENT.		DWN RAGHAVENDRA 21NOV2006	STE TE Connectivity		
DIMENSIONS: INCHES		CHK G.D.PORTA			
TOLERANCES UNLESS OTHERWISE SPECIFIED:		APVD G.D.PORTA	SPLICE		
0 PLC ± - 1 PLC ± - 2 PLC ± - 3 PLC ± .015 4 PLC ± - ANGLES ± 1° 0'		PRODUCT SPEC -	APPLICATION SPEC -		
MATERIAL SEE TABLE	FINISH SEE TABLE	WEIGHT -	SIZE A3	CAGE CODE 00779	DRAWING NO C-61021
CUSTOMER DRAWING			RESTRICTED TO -	SCALE 6:1	SHEET 1 OF 1
			REV H6		