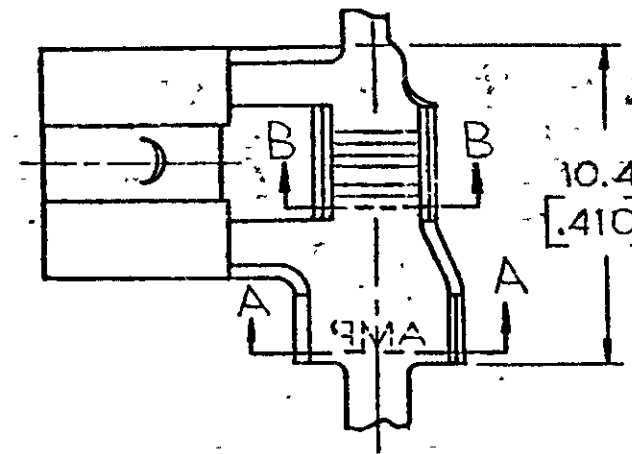
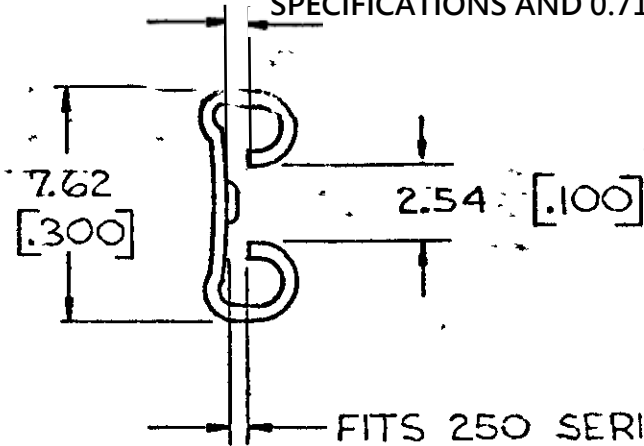


© COPYRIGHT 1980 BY AMP INCORPORATED, HARRISBURG, PA.  
 ALL INTERNATIONAL RIGHTS RESERVED. AMP INCORPORATED PRODUCTS  
 COVERED BY U. S. AND FOREIGN PATENTS AND/OR UNPUBLISHED PRODUCTS.

UNPUBLISHED COPY NOT TO BE REPRODUCED OR PUBLISHED WITHOUT WRITTEN PERMISSION OF AMP INCORPORATED.

		REVISIONS			LOC	DIST
NO.	DATE	ZONE	LTR	DESCRIPTION	DATE	APPROVED
1			J	REVISED PER ECR-12-013459	10DEC12	PD
2			J1	REVISED PER ECR-20-009164	14AUG2020	DH

GAP AS REQUIRED TO MEET FORCE SPECIFICATIONS AND 0.71 [.028] MAX

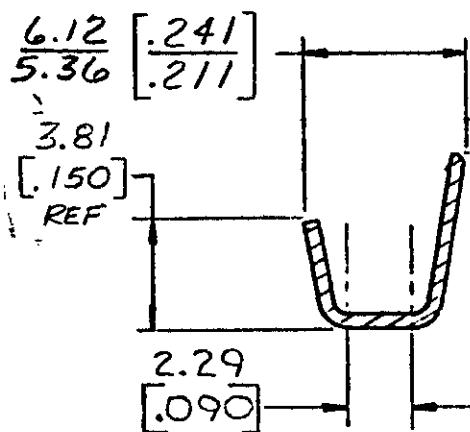


FITS 250 SERIES FASTON TAB. REFER TO CP-14251 FOR TAB DETAILS.

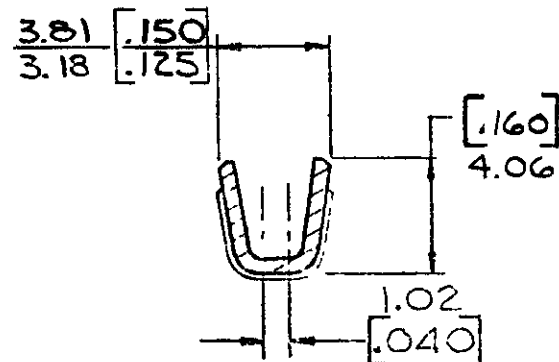
1. ALL DIMENSIONS IN BRACKETS ARE IN INCHES

CONTINUOUS STRIP ON REELS

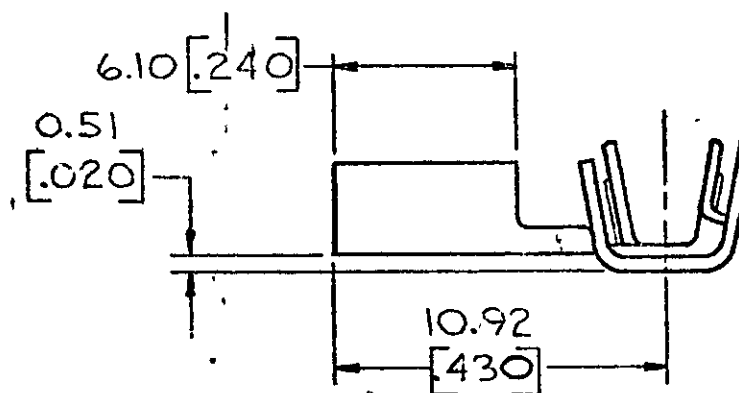
2. MATING TAB THK. IS 0.84-0.76 [0.033-0.030]



SECTION A-A



SECTION B-B



INSUL RANGE	WIRE RANGE	FINISH	MATERIAL	PART NO
.110-.160	18-14	TIN	BRASS	62811-2
.110-.160	18-14	NONE	BRASS	62811-1

UNLESS OTHERWISE SPECIFIED DIMENSIONS ARE IN INCHES. TOLERANCES ON DECIMALS: ±0.38 [.015] ANGLES: ±	CONTRACT NO Rd. Sentin 4-7-80			
	CHK G. Yetter 4-7-80	NAME 250 SERIES PREMIER FLAG		
MATERIAL SEE TABLE	APPD G. B. Brown 4-7-80	FASTON RECEPTACLE		
FINISH SEE TABLE	APPD K. K. K. 4-1-80	DSGN APPD	SIZE B	CODE IDENT NO 00779
	OTHER APPD		DRAWING NO 62811	SHEET
		SCALE 4-1		