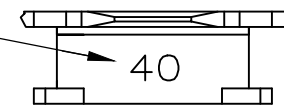


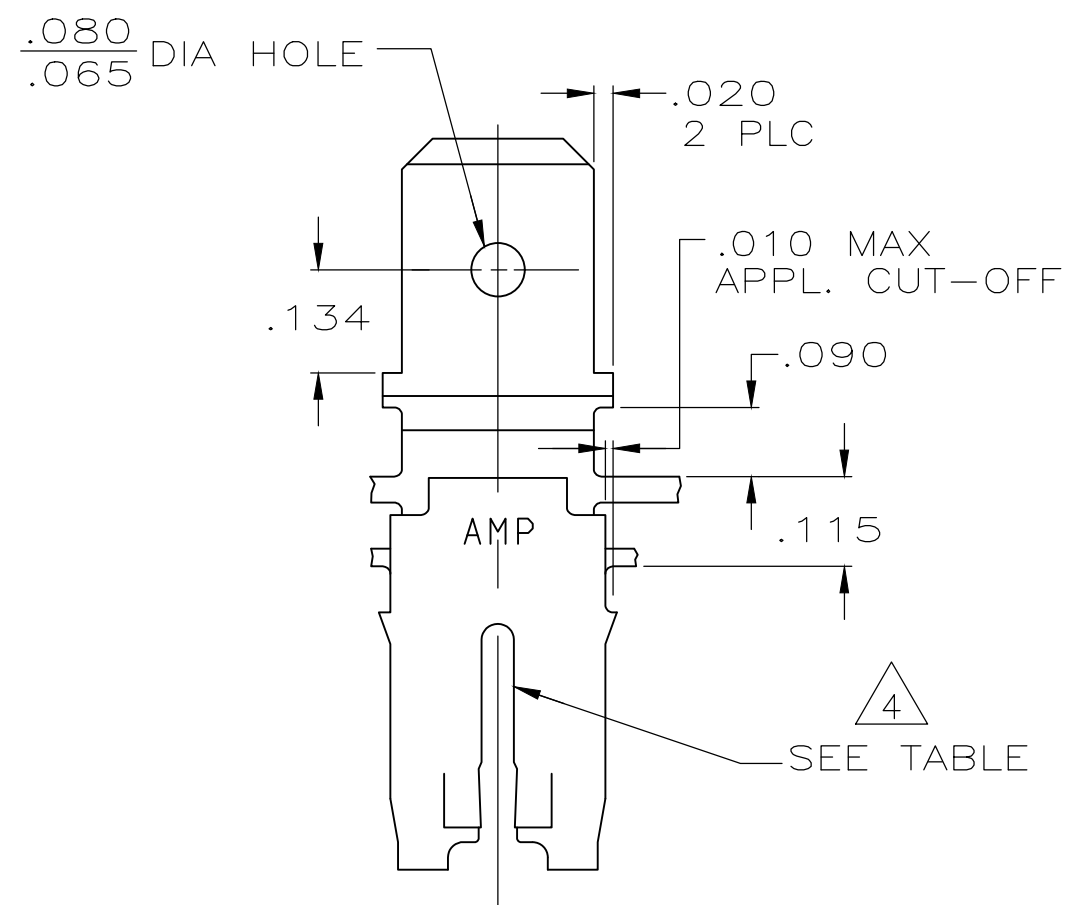
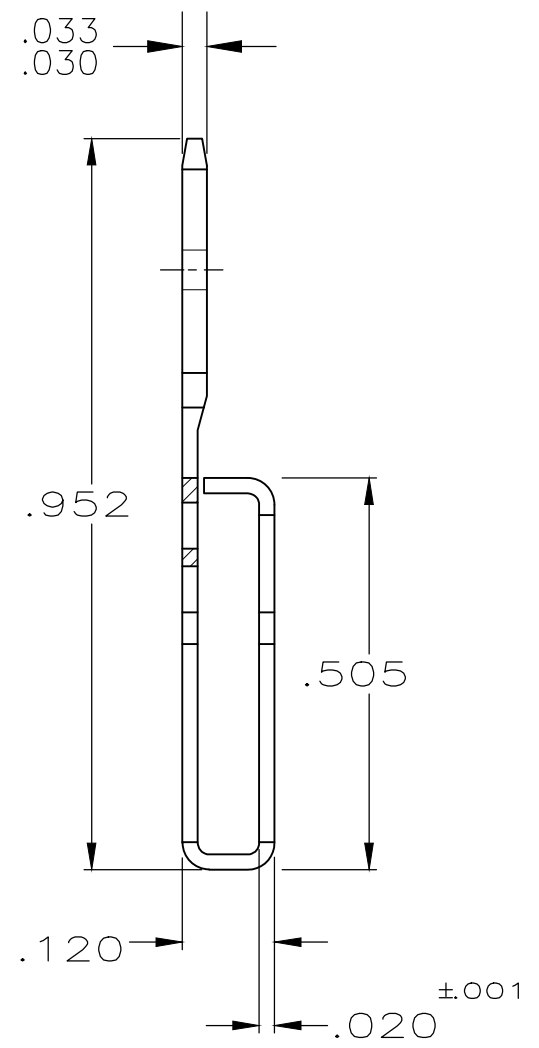
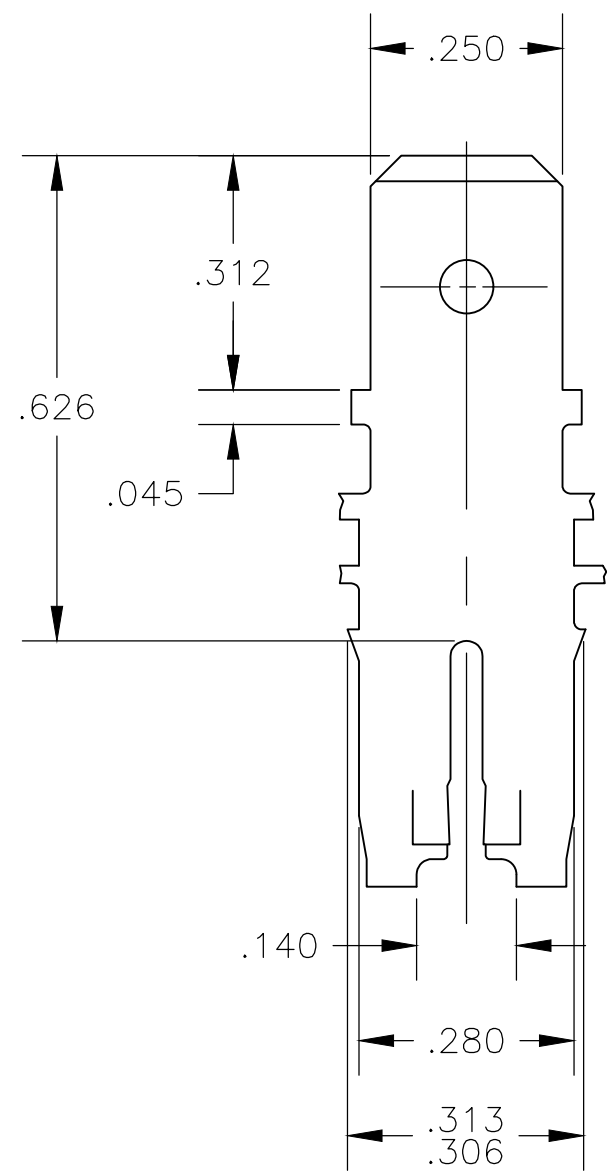
THIS DRAWING IS UNPUBLISHED. RELEASED FOR PUBLICATION
 © COPYRIGHT - By - ALL RIGHTS RESERVED.

REVISIONS				
P	LTR	DESCRIPTION	DATE	APVD
H5		OBSOLETE PRELIMINARY PN 63459-5	23OCT2018	SV PKS

IDENTIFICATION NUMBER FOR MAGNET WIRE RANGE



- 1 FOR MAG-MATE CAVITY SPECIFICATION REFER TO APPLICATION SPEC #114-2066.
- 2 CONTINUOUS STRIP ON REELS WITH TERMINALS LOCATED ON .330 CENTERS.
- 3 AFTER INSERTION INTO PLASTIC HOLDER TAB PORTION MUST BE BENT OVER 45° TO 90° OR MAG-MATE MUST BE POTTED-IN TO PREVENT PULL-OUT WHEN MATING RECEPTACLE IS DISCONNECTED.
- 4 FOR COPPER OR ALUMINUM WIRE. 2 WIRES MAX OF THE SAME SIZE AND TYPE PER SLOT
- 5 VARNISH RESIST OVER TIN PER ASTM-B545.



OBSOLETE	N/A	#15-#16	UNPLATED	63459-5
OBSOLETE	#14-#15	#15-#16	SPECIAL	63459-4
	#14-#15	#15-#16	STANDARD	63459-3
	#14-#15	#15-#16	TIN	63459-2
OBSOLETE		#15-#16	VARNISH RESIST OVER TIN	63459-1
	ALUMINUM	COPPER	FINISH	PART NO
	MAGNET WIRE RANGE			

THIS DRAWING IS A CONTROLLED DOCUMENT.		DWN	JR RUTH	1/26/87	STE TE Connectivity																	
DIMENSIONS: INCHES		CHK	G YETTER	1/29/87																		
TOLERANCES UNLESS OTHERWISE SPECIFIED:		APVD	J SWARTZ	1/29/87																		
<table border="0"> <tr><td>0 PLC</td><td>±</td><td>-</td></tr> <tr><td>1 PLC</td><td>±</td><td>-</td></tr> <tr><td>2 PLC</td><td>±</td><td>-</td></tr> <tr><td>3 PLC</td><td>±</td><td>.015</td></tr> <tr><td>4 PLC</td><td>±</td><td>-</td></tr> <tr><td>ANGLES</td><td>±</td><td>-</td></tr> </table>		0 PLC	±	-		1 PLC	±	-	2 PLC	±	-	3 PLC	±	.015	4 PLC	±	-	ANGLES	±	-	PRODUCT SPEC	NAME
0 PLC	±	-																				
1 PLC	±	-																				
2 PLC	±	-																				
3 PLC	±	.015																				
4 PLC	±	-																				
ANGLES	±	-																				
MATERIAL	BRASS	FINISH	SEE TABLE	WEIGHT	0																	
CUSTOMER DRAWING		SCALE	4:1	SHEET	1 OF 1																	
		SIZE	A2	CAGE CODE	00779																	
		DRAWING NO	C-63459		RESTRICTED TO																	
		REV	H5																			