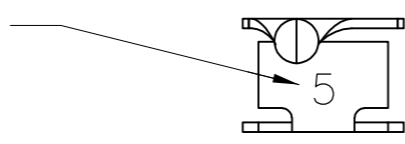


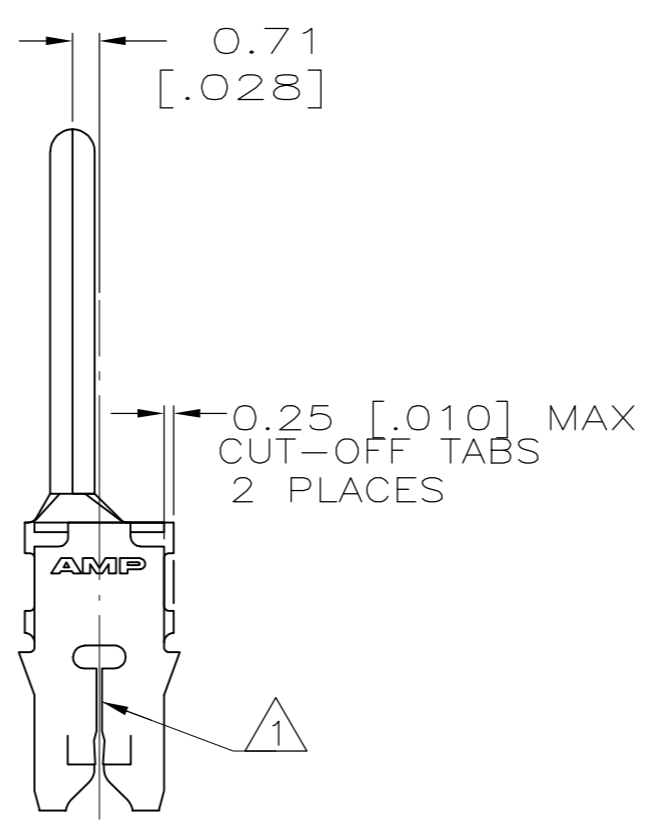
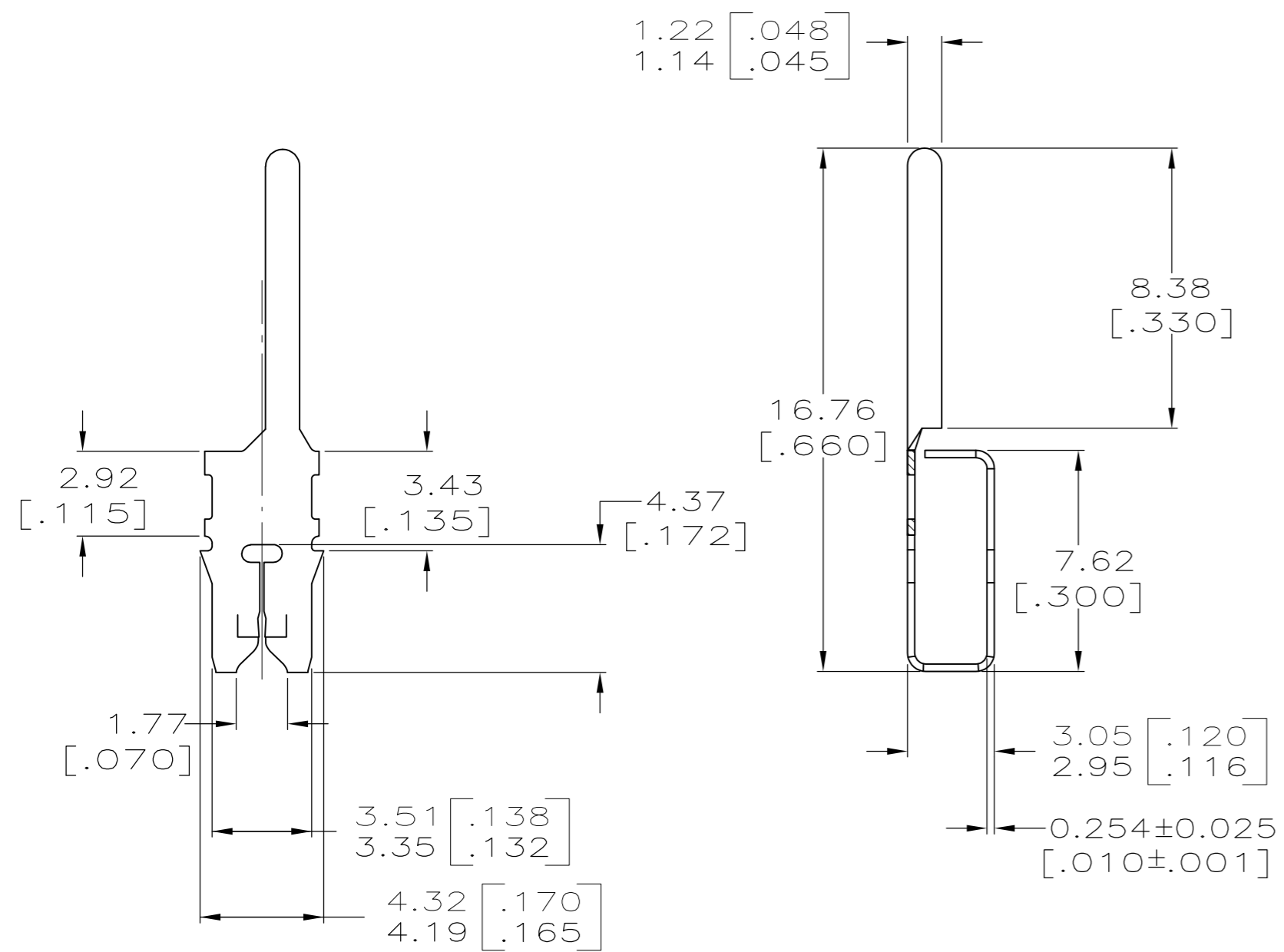
THIS DRAWING IS UNPUBLISHED. RELEASED FOR PUBLICATION  
 © COPYRIGHT BY TYCO ELECTRONICS CORPORATION. ALL RIGHTS RESERVED.

LOC	DIST	REVISIONS					
		P	LTR	DESCRIPTION	DATE	DWN	APVD
AF	50		C	REV PER ECR 05-010705	03NOV05	JR	KR
			D	ECR-13-008483	06AUG13	XJ	DZ

IDENTIFICATION NUMBER FOR  
MAGNET WIRE RANGE



- ① SLOT TERMINATES EITHER SINGLE OR DOUBLE COPPER MAGNET WIRES OF THE SAME SIZE, 0.23-0.32mm [#31-#28] AWG.
- ② TIN PLATE



63879-1  
PART NO.

THIS DRAWING IS A CONTROLLED DOCUMENT.		DWN 11/OCT/95 MICHAEL S. FEHER	Tyco Electronics Corporation Harrisburg, PA 17105-3608	
TERMINATIONS SHUTTER		CHK 16/OCT/95 RICHARD GRZYBOWSKI		
INCHES		APVD 16/OCT/95 TL SHUTTER	NAME	
TOLERANCES UNLESS OTHERWISE SPECIFIED: 0 PLC ± - 1 PLC ± - 2 PLC ± 0.15 [.006] 3 PLC ± - 4 PLC ± - ANGLES ± -		PRODUCT SPEC 108-2012	PIN, LOOSE PIECE, 1.22 [.048] DIA, LEFT HAND, MAG-MATE	
MATERIAL H04 BRASS		FINISH ②	APPLICATION SPEC 114-2046	RESTRICTED TO
		WEIGHT -	SIZE A2	SCALE 5:1
		CUSTOMER DRAWING	CAGE CODE 00779	DRAWING NO 63879
			SHEET 1 of 1	REV D