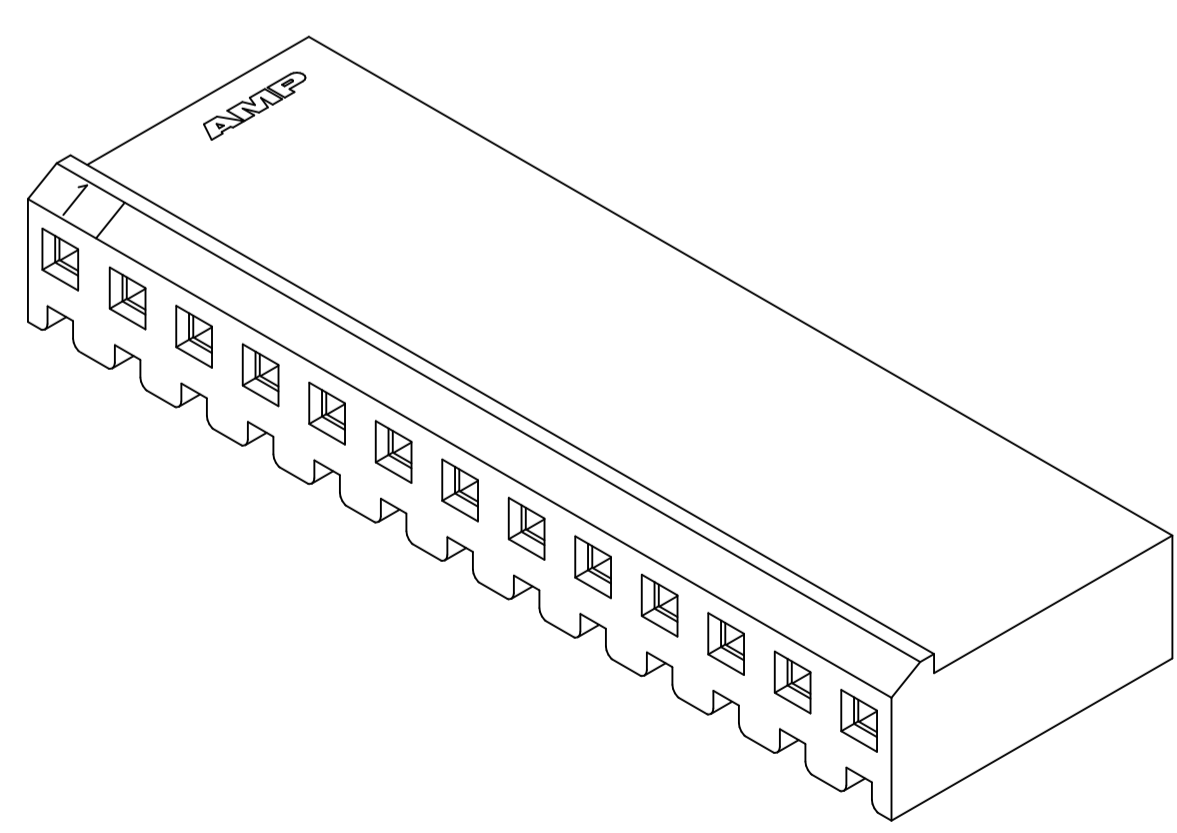
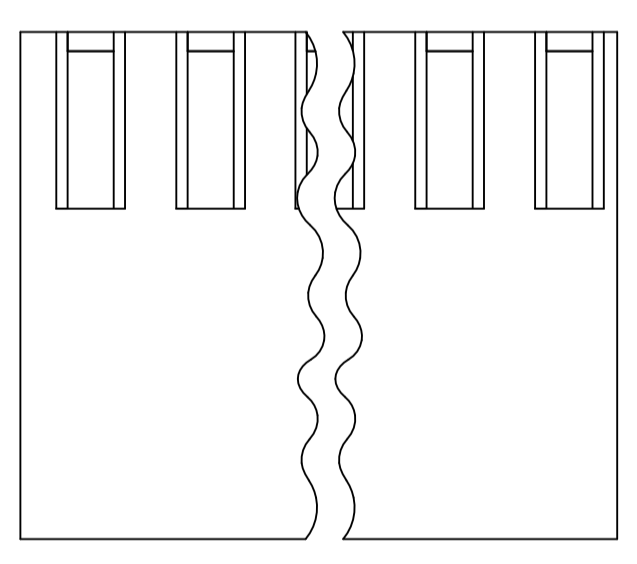
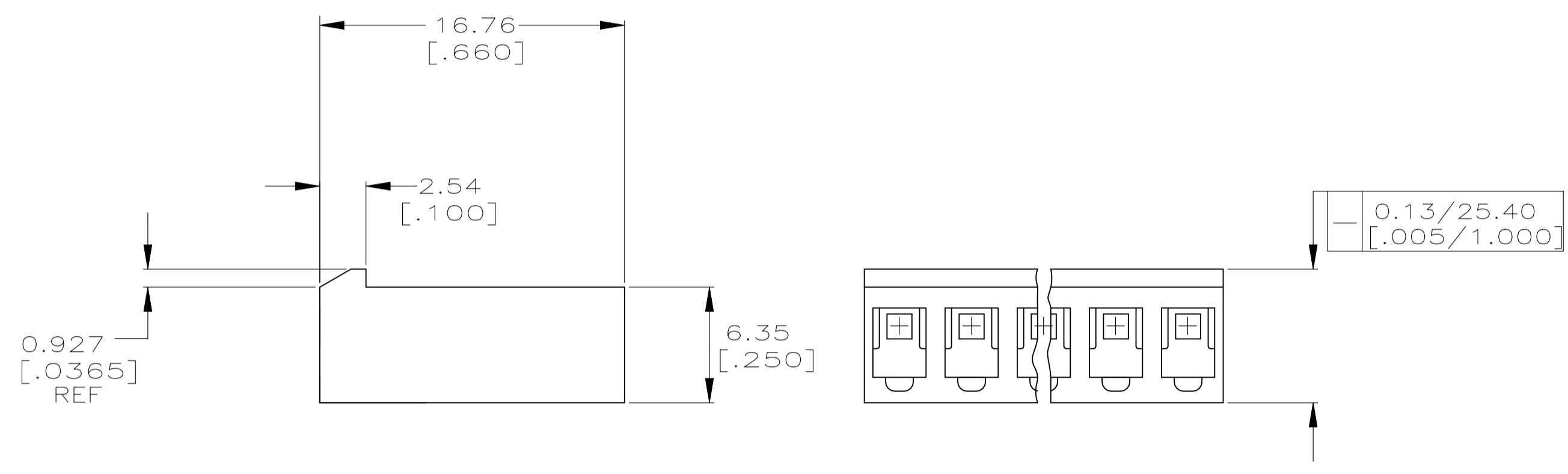
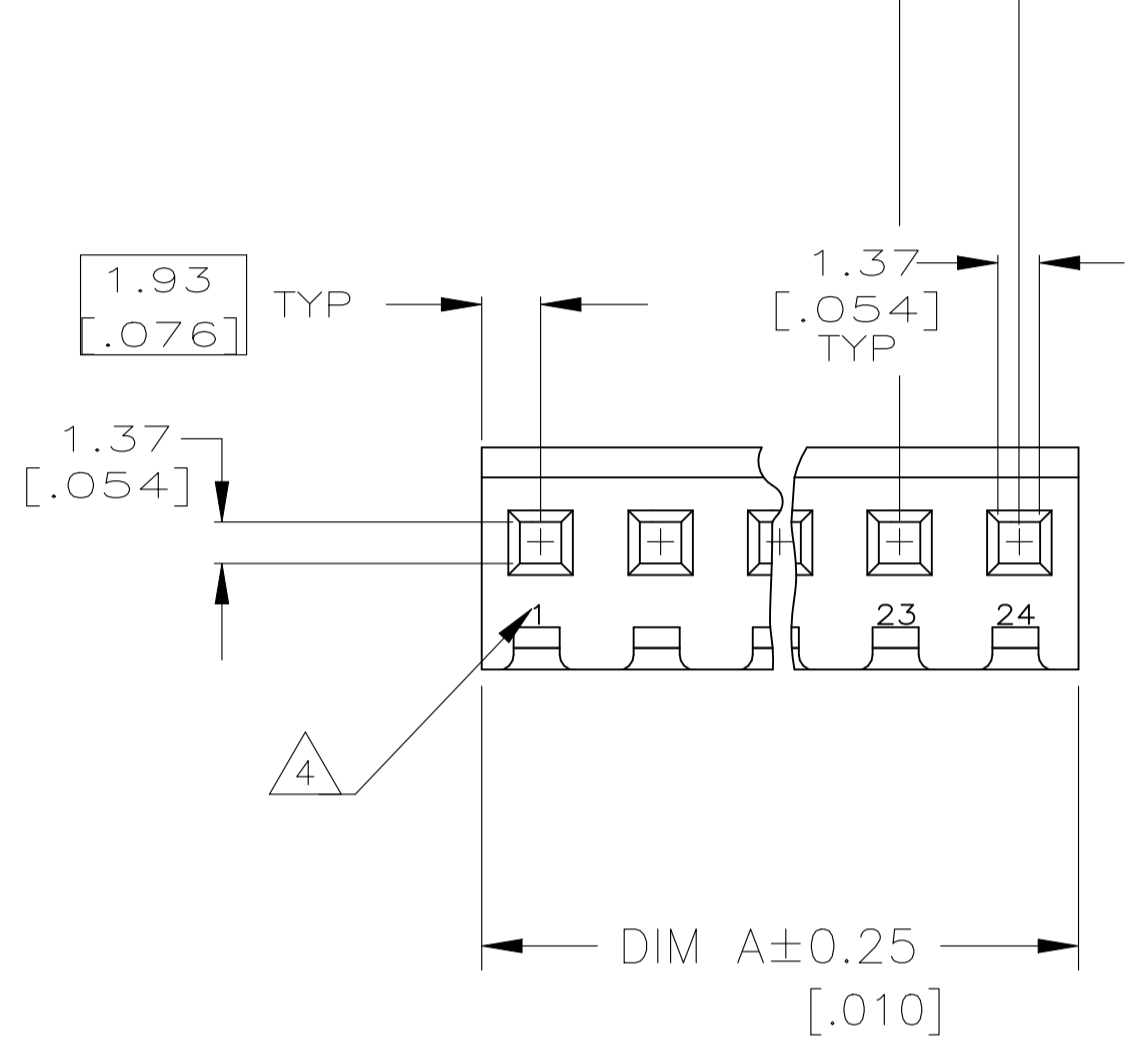
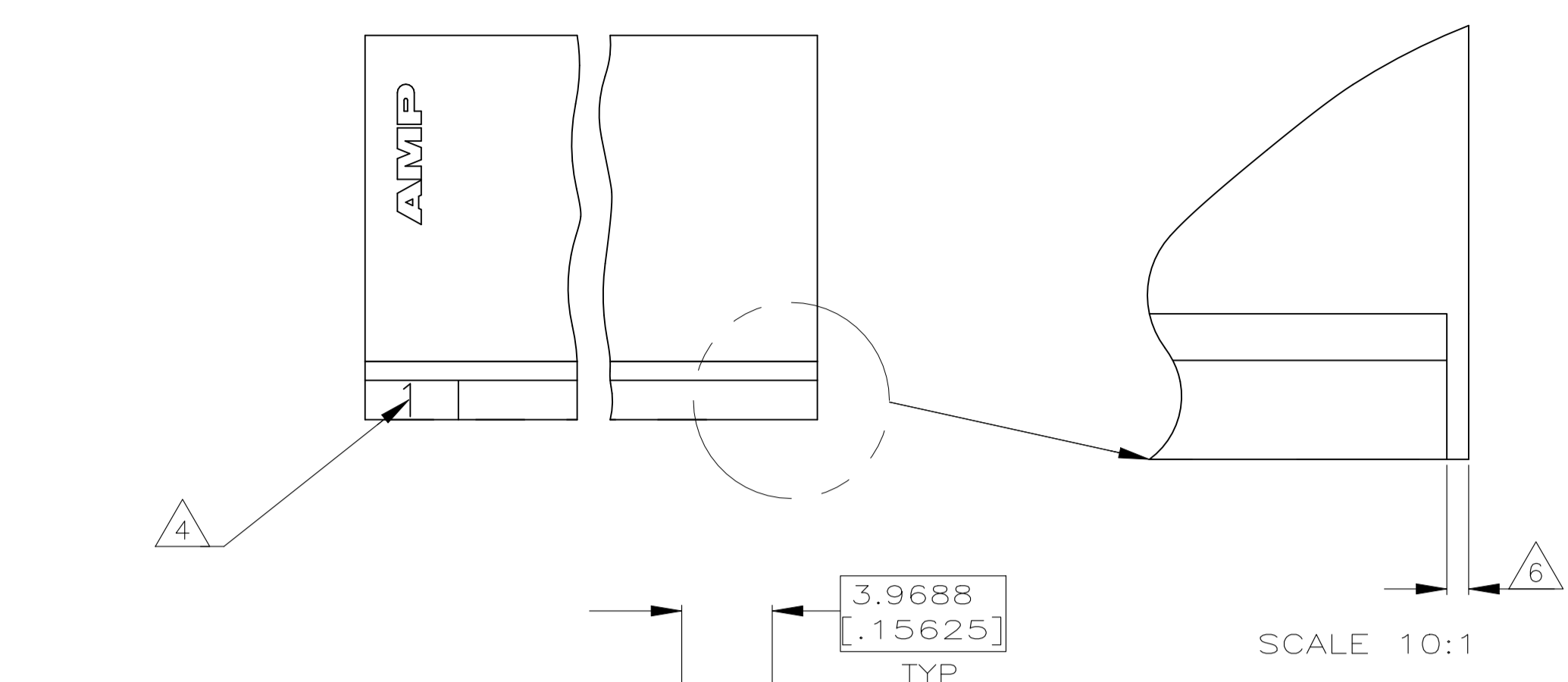


REVISIONS				
REV	DATE	DESCRIPTION	BY	APPV
V2	08DEC2023	REVISED PER ECR-23-194519	AK	JP

- 1 UNIT ACCEPTS 1.14 [.045] SQUARE OR ROUND POST.
- 2 UNIT ACCEPTS STANDARD SL-156 CONTACTS.
- 3 UNIT ACCEPTS KEYING PLUG 640254-1 AND KEYING PIN 640255-1.
- 4 △ CIRCUIT I.D. NUMBER(S), TO BE LOCATED SEQUENTIALLY AS SHOWN OR ONLY NO.1 CIRCUIT PLACED ON LOCKING RAMP.
- 5 DIMENSIONS IN BRACKETS ARE IN INCHES.
- 6 △ OPTIONAL CONSTRUCTION (BOTH CORNERS) UP TO 0.38 [.015] FOR P/N -1 THRU -5, UP TO 1.27 [.050] FOR P/N -6 THRU 2--4.
- 7 DIMENSIONS SHOWN REPRESENT PRODUCT IN DRY, AS MOLDED, CONDITION. ADDITIONAL 2% GROWTH DUE TO SUBSEQUENT MOISTURE ABSORPTION MAY OCCUR AND SHOULD BE ACCOUNTED FOR



3-DIMENSIONAL MODEL NTS

95.15 [3.746]	24	2-640250-4
91.19 [3.590]	23	2-640250-3
87.20 [3.433]	22	2-640250-2
83.24 [3.277]	21	2-640250-1
79.27 [3.121]	20	2-640250-0
75.31 [2.965]	19	1-640250-9
71.32 [2.808]	18	1-640250-8
67.36 [2.652]	17	1-640250-7
63.40 [2.496]	16	1-640250-6
59.44 [2.340]	15	1-640250-5
55.45 [2.183]	14	1-640250-4
51.49 [2.027]	13	1-640250-3
47.52 [1.871]	12	1-640250-2
43.56 [1.715]	11	1-640250-1
39.57 [1.558]	10	1-640250-0
35.61 [1.402]	9	640250-9
31.65 [1.246]	8	640250-8
27.69 [1.090]	7	640250-7
23.70 [.933]	6	640250-6
19.74 [.777]	5	640250-5
15.77 [.621]	4	640250-4
11.81 [.465]	3	640250-3
7.82 [.308]	2	640250-2
3.86 [.152]	1	640250-1
MM [INCHES]	NO. OF CIRCUITS	PART NUMBER
DIM A		

THIS DRAWING IS A CONTROLLED DOCUMENT.		DIN 7-27-92	R. LEWIS	
DIMENSIONS: mm [INCHES]		7-27-92	R. SWING	
TOLERANCES UNLESS OTHERWISE SPECIFIED:		9-28-92	E. BEILES	
0. PLC	± -	NAME		
1. PLC	± -	HOUSING WITH LOCKING RAMP, SL-156		
2. PLC	± -	PRODUCT SPEC		
3. PLC	± 0.13 [.005]	APPLICATION SPEC		
4. PLC	± -	SIZE		
ANGLES	± 0° 30'	CAGE CODE		
MATERIAL	FINISH	DRAWING NO.		
NYLON, UL 94V-0 NATURAL	-	A1 00779 C=640250		
WEIGHT		RESTRICTED TO		
0.000000		-		
CUSTOMER DRAWING		SCALE 4:1 SHEET 1 of 1 REV V2		