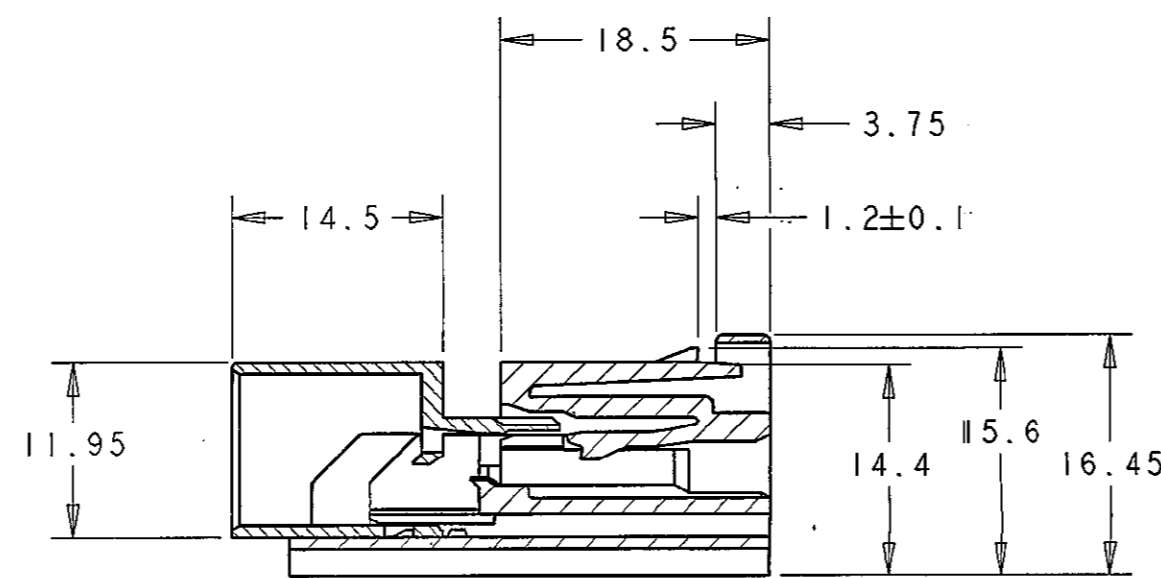
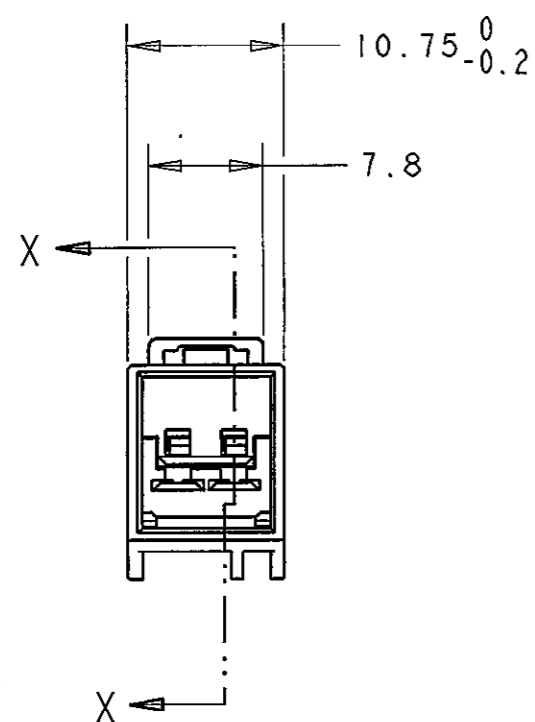
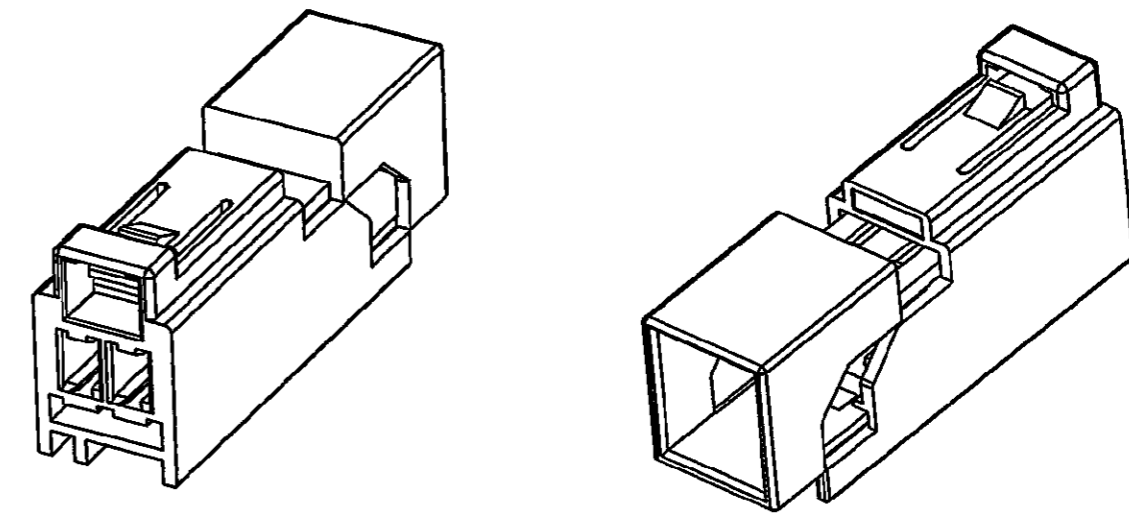
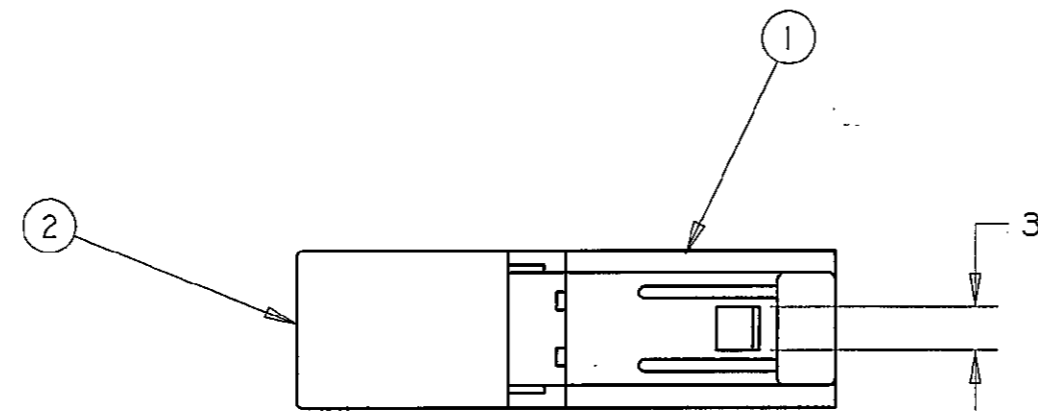
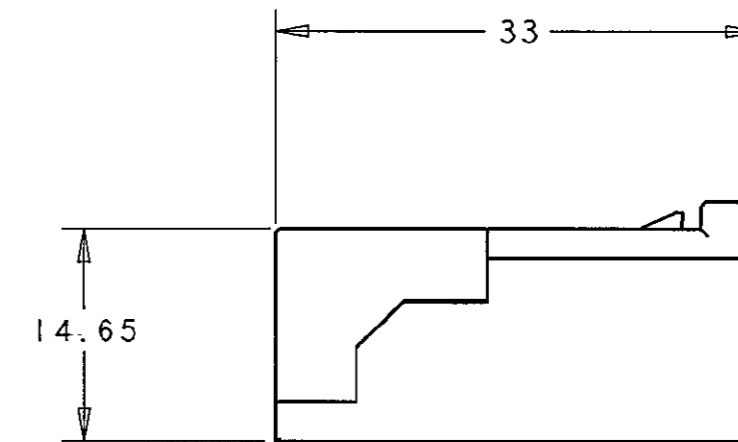


LOC		DIST		REVISIONS				
P	LTR	DESCRIPTION	DATE	DWN	APVD			
E	B	5		EB00-0066-98	22/7/98	B.R	D.H	
		6		EB00-0424-98	22/9/98	B.R	D.H	
		0		EB00-0522-98	14/10/98	B.R	D.H	



SECTION X-X



TAB MODULE WITH TPA FULLY ASSEMBLED.

CODINGS

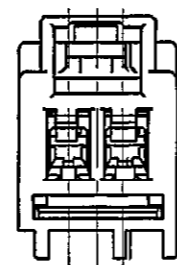
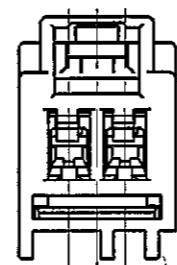
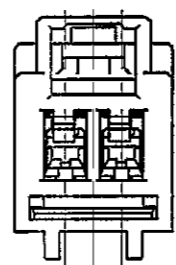
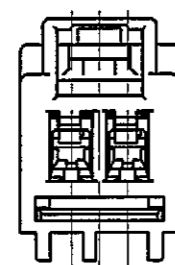
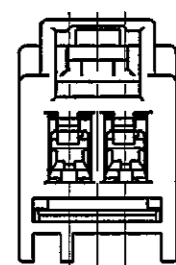
KEY A

KEY B

KEY C

KEY D

KEY E



\*  
1.0  
-0.2 TYP

\*  
8.7  
-0.2

\*  
6.7  
-0.2

\*  
9.7  
-0.2

\*  
9.7  
-0.2

VIEWED FROM REAR OF MODULE

NOTE:-  
MODULE KEY DIMENSIONS INDICATED \* ARE  
CONTROLLED BY GAUGE NUMBER 38-616

PBT GF15%	RED	TAB MODULE TPA	1	2
PBT GF15%	BLACK	TAB MODULE	1	1
MATERIAL	COLOUR	DESCRIPTION	QTY	ITEM NUMBER

	E	98 AG14A459-LEC	699348-5
	D	98 AG14A459-LDC	699348-4
	C	98 AG14A459-LCB	699348-3
	B	98 AG14A459-LBC	699348-2
	A	98 AG14A459-LAC	699348-1
	KEY REF	FORD PART NUMBER	PART NUMBER

THIS DRAWING IS A CONTROLLED DOCUMENT FOR AMP INCORPORATED. IT IS SUBJECT TO CHANGE AND THE CONTROLLING ENGINEERING ORGANIZATION SHOULD BE CONTACTED FOR THE LATEST REVISION.		DWN B. ROLLINS 8-Apr-98	<p>AMP of Great Britain Ltd, Stanmore, Middlesex, HA7 4RS.</p>
DIMENSIONS IN m.m.		CHR D. HAYWOOD 12-Sep-97	
TOLERANCES UNLESS OTHERWISE SPECIFIED: LINEAR: ±0.2 ANGULAR: ±1°		APVD M. WHELAN 12-Sep-97	NAME TAB MODULE ASSEMBLY
THIRD ANGLE PROJECTION	SEE CHART	PRODUCT SPEC -	SIZE A2
MATERIAL SEE CHART	FINISH SEE CHART	APPLICATION SPEC -	CAGE CODE 00779
		WEIGHT -	DRAWING NO C=699348
		CUSTOMER DRAWING	SCALE 2:1 SHEET 1 OF 1 REV 0