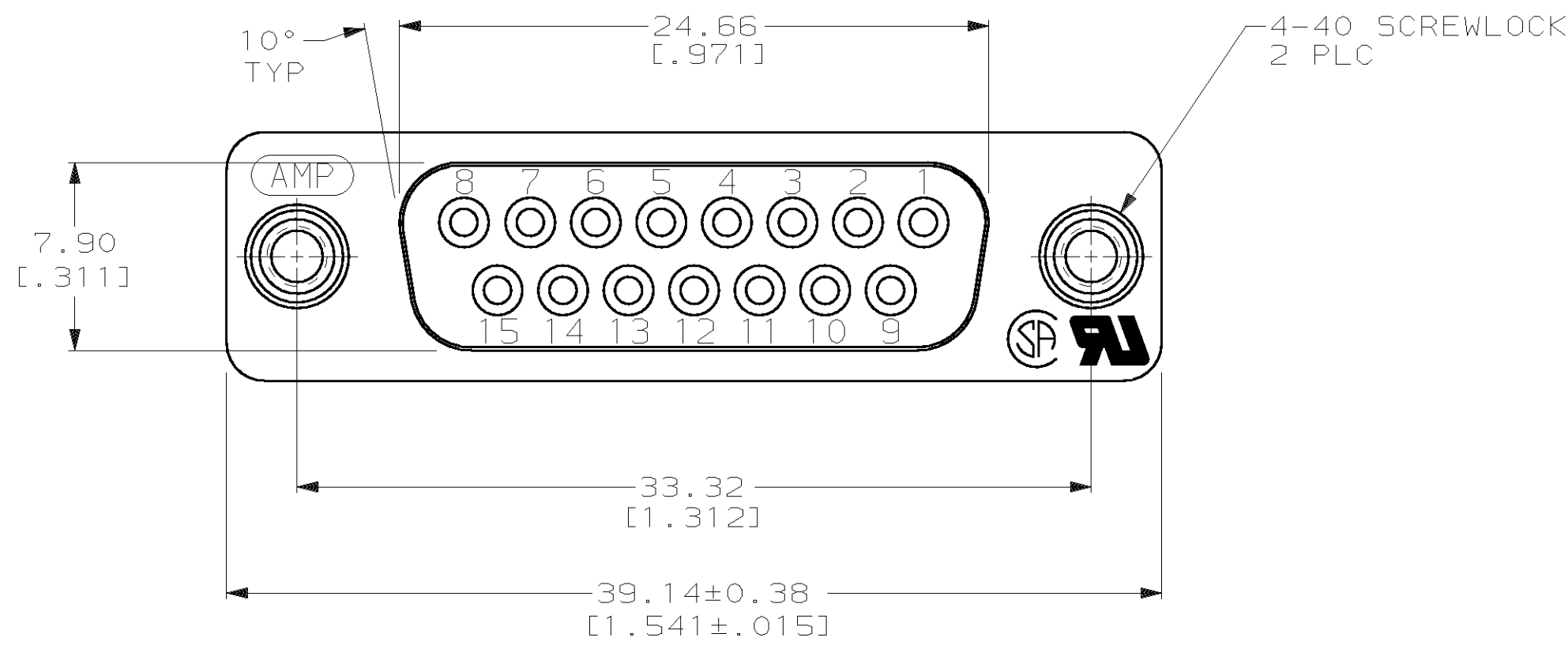
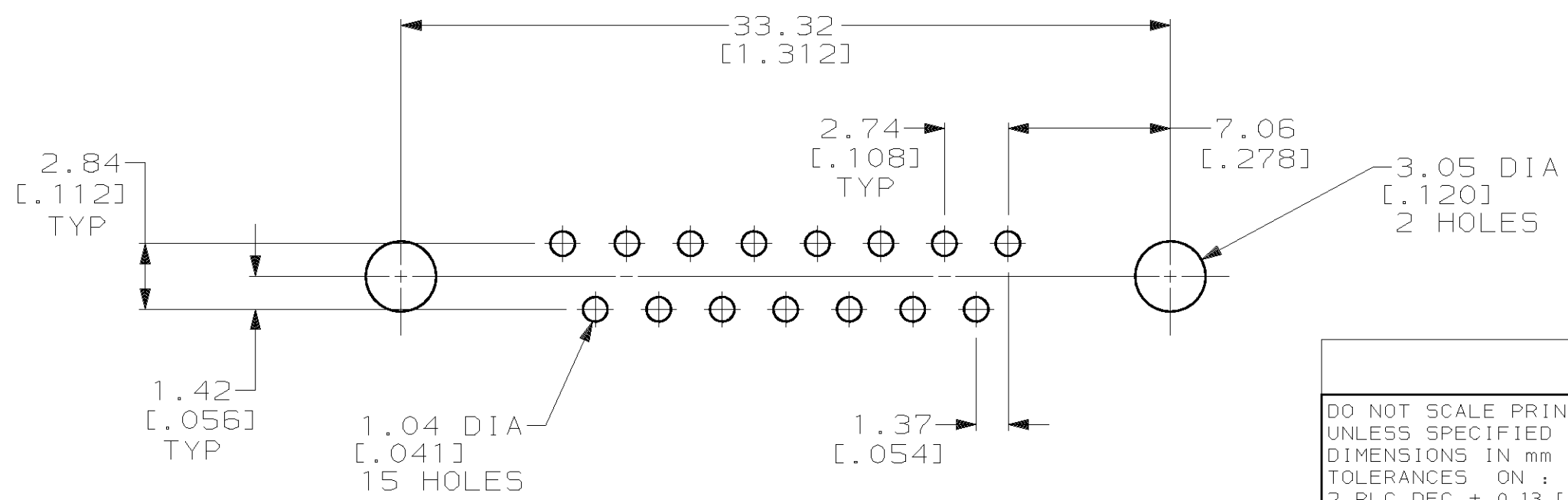
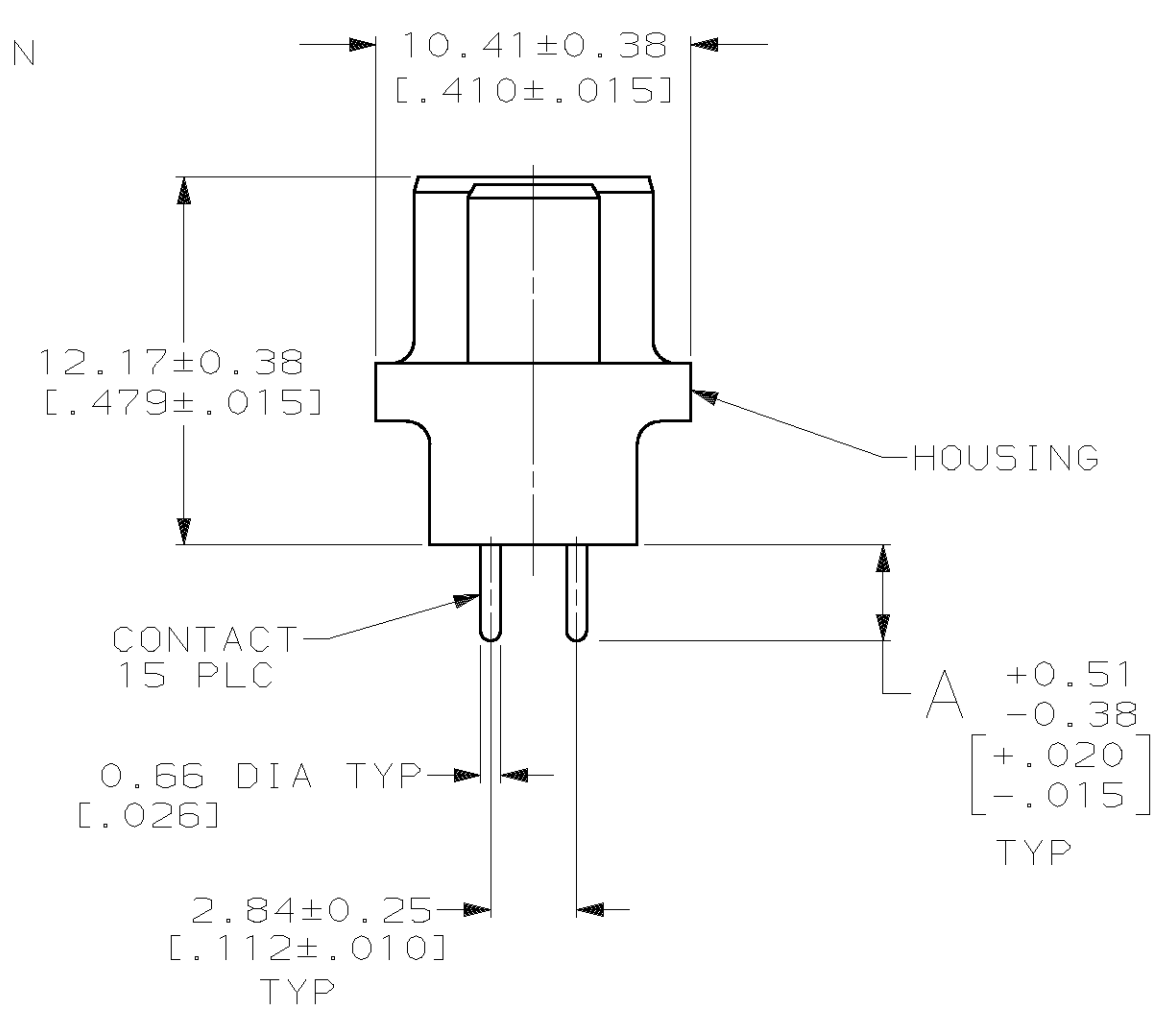
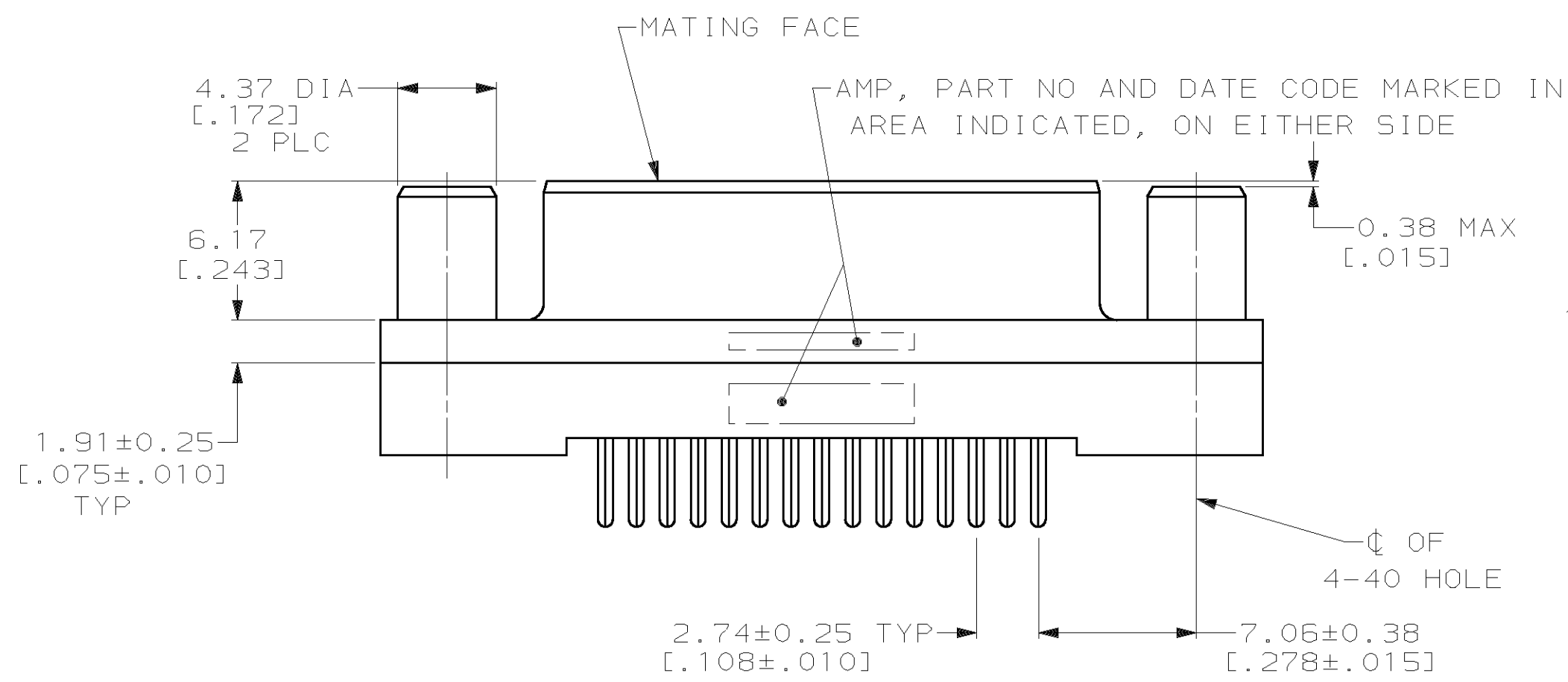


THIS DRAWING IS UNPUBLISHED. RELEASED FOR PUBLICATION, 19 .
 © COPYRIGHT 19 BY AMP INCORPORATED. ALL INTERNATIONAL RIGHTS RESERVED.

LOC		DIST		ZONE		LTR		REVISIONS		DATE	APPD
GP	00	P	F			H		REV PER EC OUE0-0002-01		09 JAN 02	JR



- ① HOUSING: BLACK POLYESTER, UL 94V-0 RATED; CONTACTS: PHOSPHOR BRONZE PER QQ-B-750; SCREWLOCKS: BRASS PER QQ-B-626.
- ② GOLD PLATING PER MIL-G-45204, TIN PLATING PER MIL-T-10727, NICKEL PLATING PER QQ-N-290, COPPER PLATING PER MIL-C-14550.
- ③ GOLD FLASH FOR A LENGTH OF 2.54 [.100] MIN FROM MATING END, 2.54µm [.000100] MIN TIN OR TIN-LEAD FOR A LENGTH OF DIMENSION A FROM OPPOSITE END, ALL OVER 1.27µm [.000050] MIN NICKEL.
- ④ 0.76µm [.000030] MIN GOLD FOR A LENGTH OF 2.54 [.100] MIN FROM MATING END, 2.54µm [.000100] MIN TIN OR TIN-LEAD FOR A LENGTH OF DIMENSION A FROM OPPOSITE END, ALL OVER 1.27µm [.000050] MIN NICKEL.
- ⑤ 1.27µm [.000050] MIN NICKEL OVER COPPER FLASH.



RECOMMENDED PC BOARD MOUNTING DIMENSIONS

STATUS	SIZE	CONTACT FINISH	PART NO
OBSELETE	6.35 [.250]	④	745077-8
SUPERSEDED BY 745077-8	6.35 [.250]	③	745077-7
	4.32 [.170]	④	745077-6
OBSELETE	4.32 [.170]	③	745077-5
	3.18 [.125]	④	745077-4
	3.18 [.125]	③	745077-3
OBSELETE	3.56 [.140]	④	745077-2

DO NOT SCALE PRINT. UNLESS SPECIFIED DIMENSIONS IN mm [INCHES] TOLERANCES ON : 2 PLC DEC ± 0.13 [.005] 3 PLC DEC ± - ANGLES ± 2°		DR 11-16-89 J McCLINTON		AMP INCORPORATED Harrisburg, Pa. 17105	
MATERIAL		CHK 2-1-90 R.STONE			
FINISH ②		APPD 2-2-90 S.SCHIEFERLY		NAME RECEPTACLE ASSEMBLY, SIZE 2, 15 POSN, VERTICAL, AMPLIMITE® HD-20	
CONTACT: SEE TABLE		APPD 2-2-90 C.ROHDE		SIZE C	
SCREWLOCK: ⑤		PRODUCT SPEC 108-40025		CAGE CODE 00779	
		APPLICATION SPEC -		DRAWING NO 745077	
		WEIGHT -		SCALE 4:1	
				SHEET 1 OF 1	