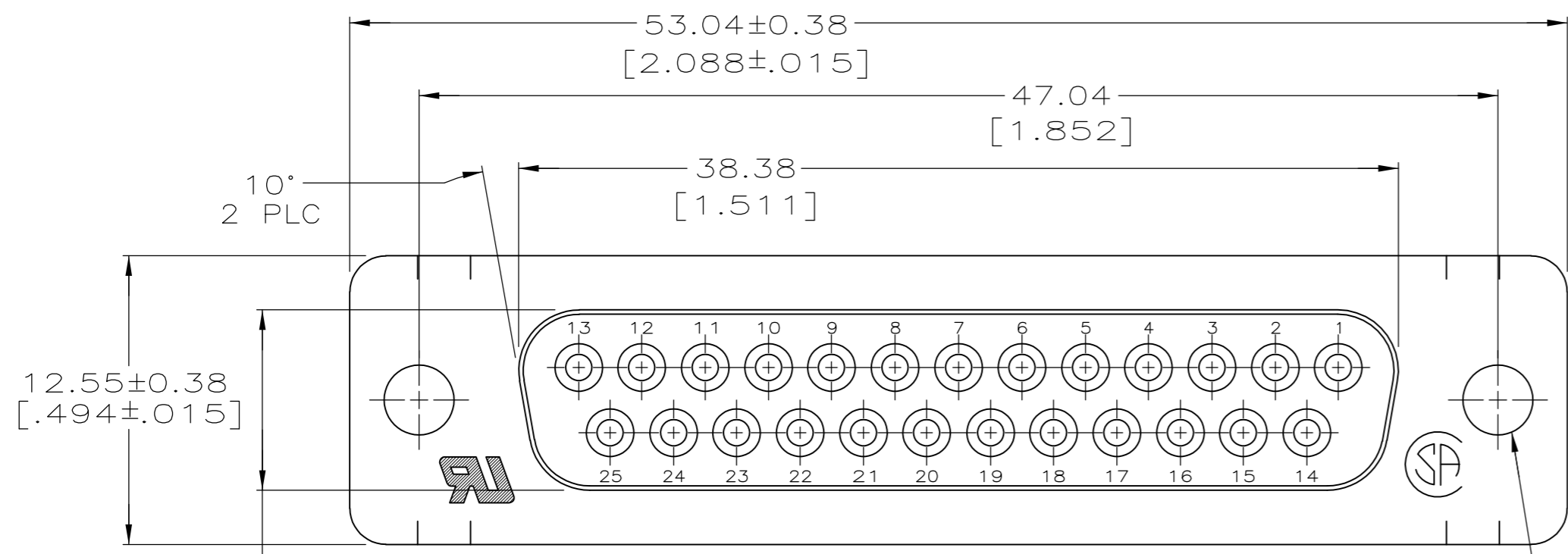
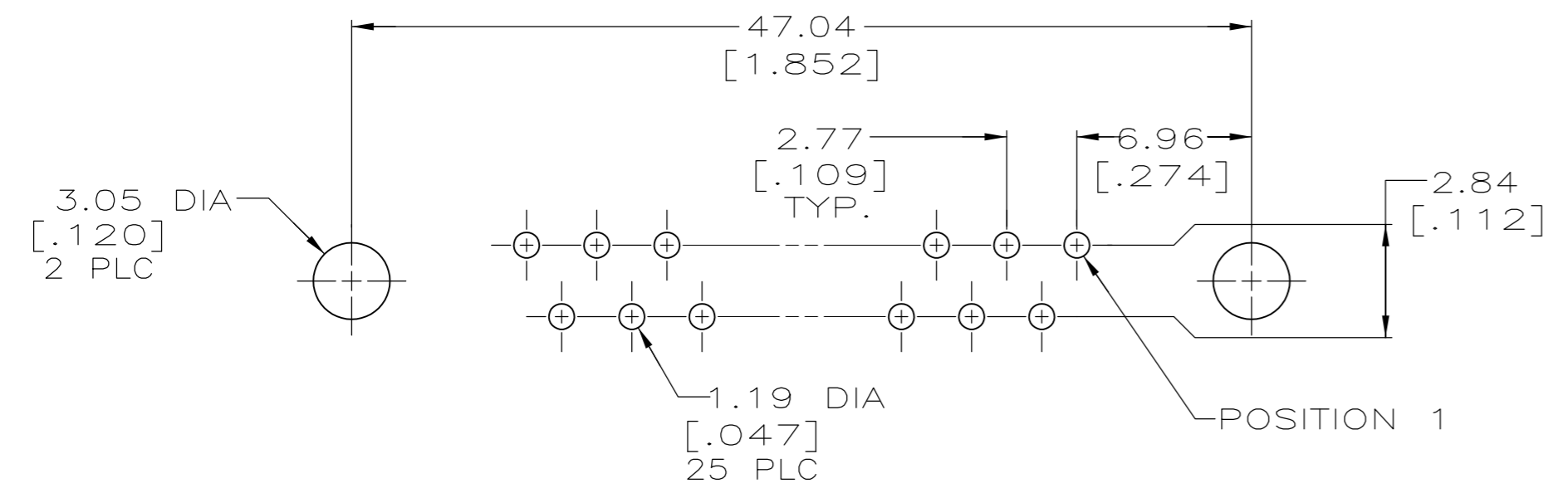
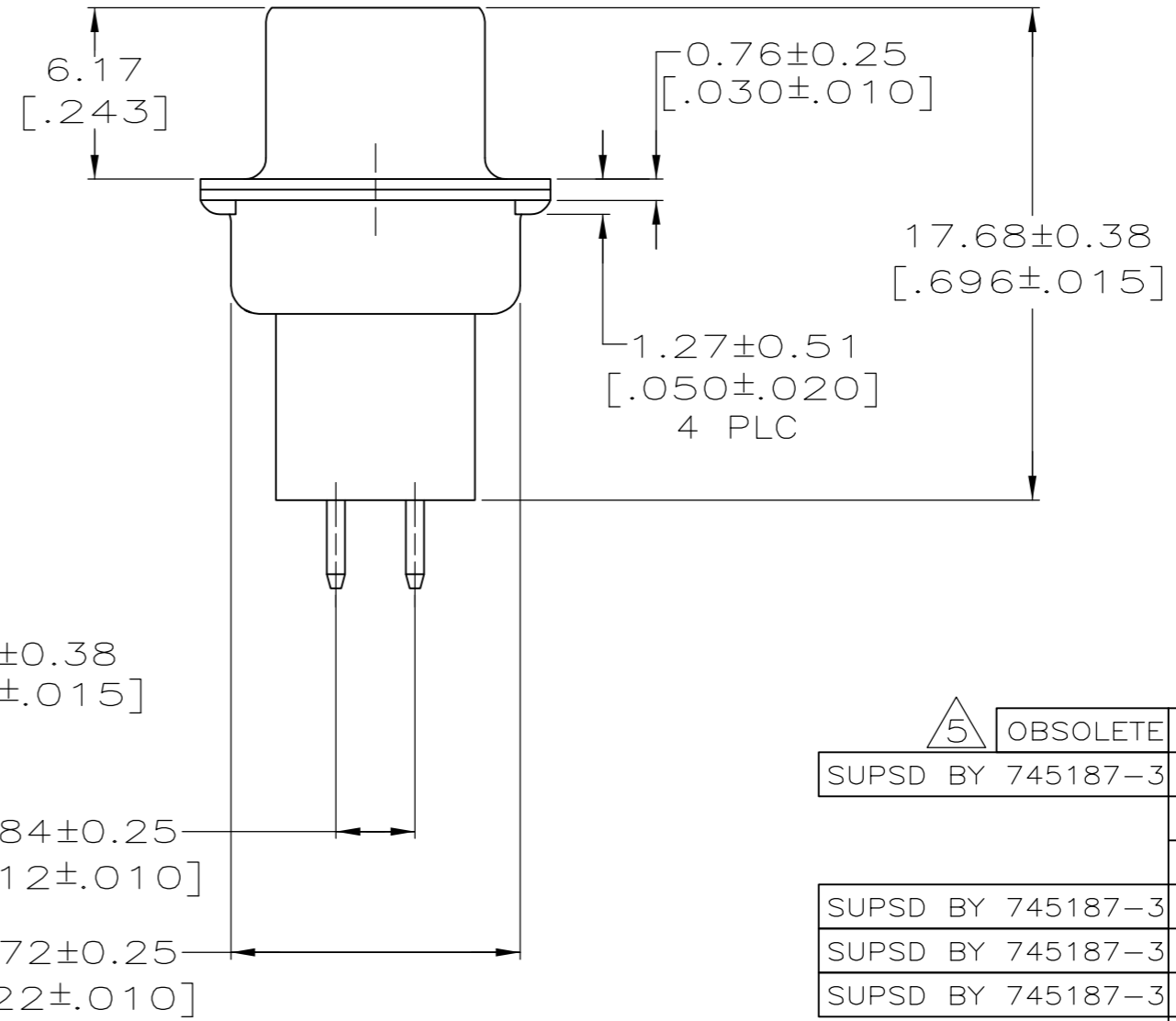
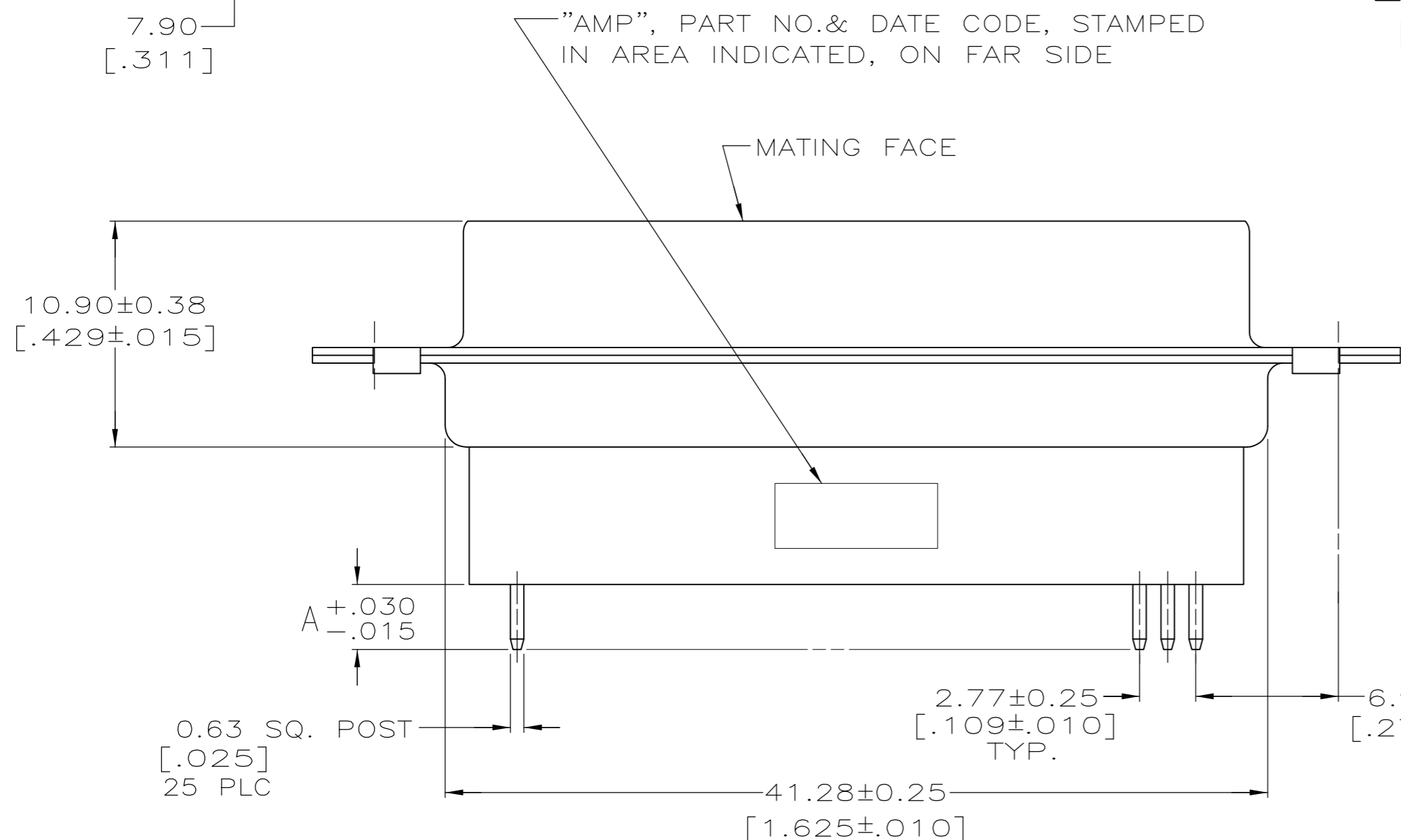


THIS DRAWING IS UNPUBLISHED. RELEASED FOR PUBLICATION
 © COPYRIGHT BY TYCO ELECTRONICS CORPORATION. ALL RIGHTS RESERVED.

LOC		DIST		REVISIONS			
P	LTR	DESCRIPTION	DATE	DWN	APVD		
GP	00						
	P	REVISED PER ECO-10-000073	17FEB2010	CJV	SB		



- NOTE DELETED.
- MOLDED PARTS: FLAME RETARDANT 94V-0 RATED THERMOPLASTIC; COLOR: BLACK. SHELLS: STEEL, CONTACTS: PHOS. BRONZE.
- GOLD FLASH ON MATING END, 2.54µm [.000100] MIN TIN-LEAD ON SOLDER END, ALL OVER 1.27µm [.000050] MIN NICKEL.
- 0.76µm [.000030] MIN GOLD ON MATING END, 2.54µm [.000100] MIN TIN-LEAD ON OPPOSITE END, ALL OVER 1.27µm [.000050] MIN NICKEL. -OR- GOLD FLASH OVER PALLADIUM-NICKEL 0.76µm [.000030] MIN TOTAL ON MATING END, 2.54µm [.000100] MIN TIN-LEAD ON OPPOSITE END, BOTH OVER 1.27µm [.000050] MIN NICKEL.
- SELECTIVELY LOADED CAVITIES 2,3,4,5,8,10,14,15,16,17,21,23, AND 24.
- 5.08µm [.000200] MIN TIN OVER 2.54µm [.000100] MIN COPPER.



CONTACT FINISH	DIMENSION A	PART NUMBER
5 OBSOLETE	3.17 [.125]	1-745187-0
SUPSD BY 745187-3	8.43 [.332]	745187-9
	4.77 [.188]	745187-8
	4.77 [.188]	745187-7
SUPSD BY 745187-3	16.53 [.651]	745187-6
SUPSD BY 745187-3	16.53 [.651]	745187-5
SUPSD BY 745187-3	10.84 [.427]	745187-4
	10.84 [.427]	745187-3
SUPSD BY 745187-1	3.17 [.125]	745187-2
	3.17 [.125]	745187-1

THIS DRAWING IS A CONTROLLED DOCUMENT.

DWN	J.GERACE	10/24/83
CHK	J.GERACE	10/24/83
APVD	B. TAYLOR	1-04-84
PRODUCT SPEC	108-40025	
APPLICATION SPEC	114-40013	
MATERIAL		
FINISH		
SHELLS: 6		
CONTACTS: SEE TABLE		

Tyco Electronics Tyco Electronics Corporation
Harrisburg, PA 17105-3608

NAME: RECEPTACLE ASSEMBLY, SIZE 3, 25 POSITION, VERTICAL, AMPLIMITE™HDP

SIZE	CAGE CODE	DRAWING NO	RESTRICTED TO
A2	00779	C=745187	-

SCALE: NTS SHEET: 1 OF 1 REV: P

P.C. BOARD MOUNTING DIMENSIONS