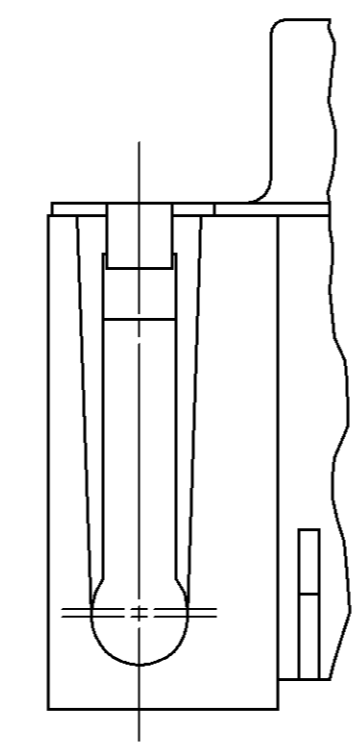
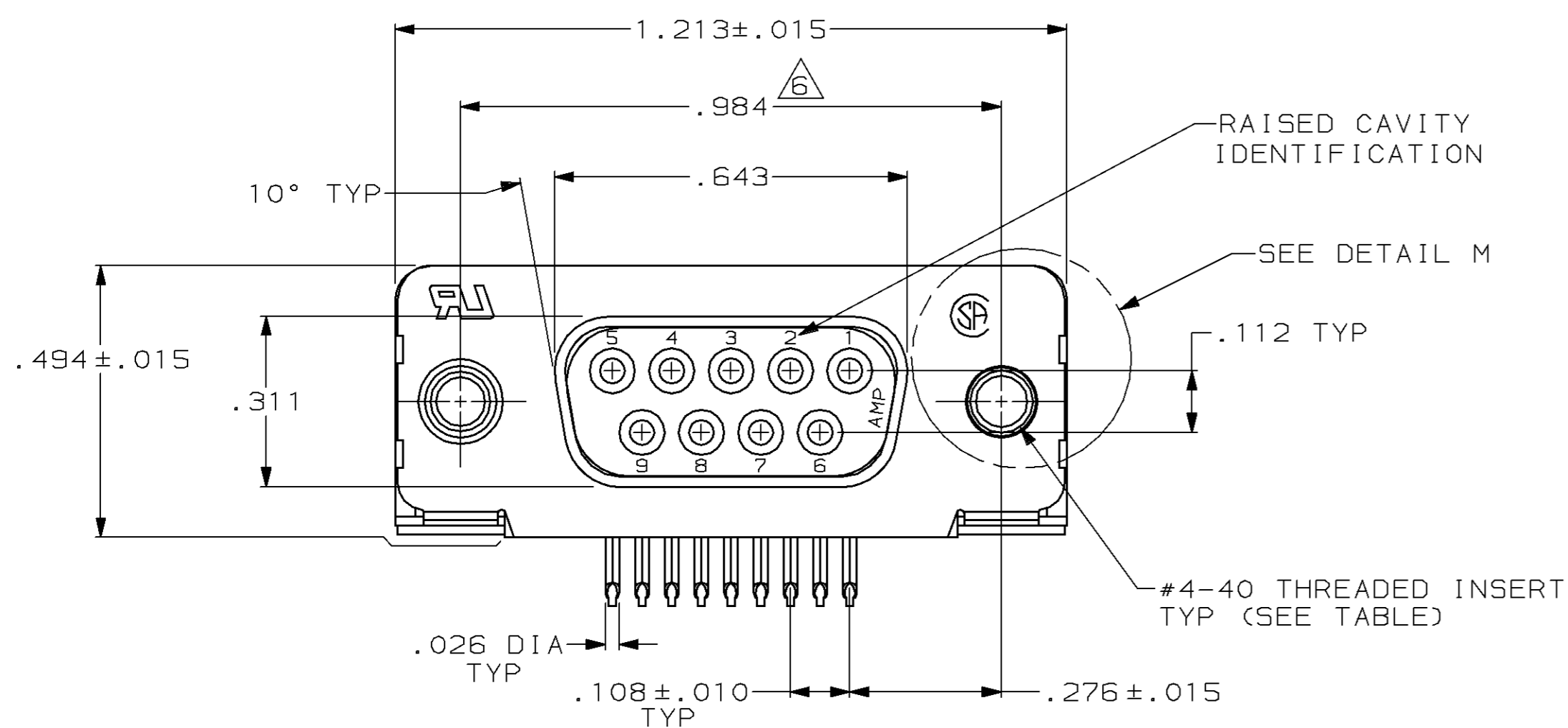
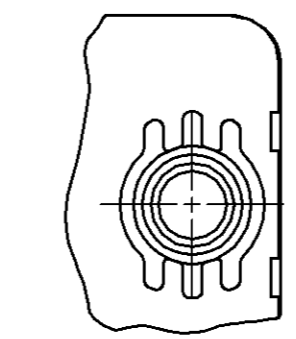


LOC	DIST	P	F	ZONE	LTR	REVISIONS		
						DESCRIPTION	DATE	APPD
					C	REDRAWN AND REV PER ECN BD4960	6-20-91	CR
					D	REVISED PER ECN BD5477	01/22/92	CR
					E	OBSOLETE -1, -2, -5 AND -6 PER ECN BD6035	06/18/92	CR
					F	REV PER ECN BD6559	05/18/93	BT
					G	OBS -3 PER EC 0020-830-93	03/20/94	SB
					H	REV PER EC 0020-1338-94	12/12/94	RT

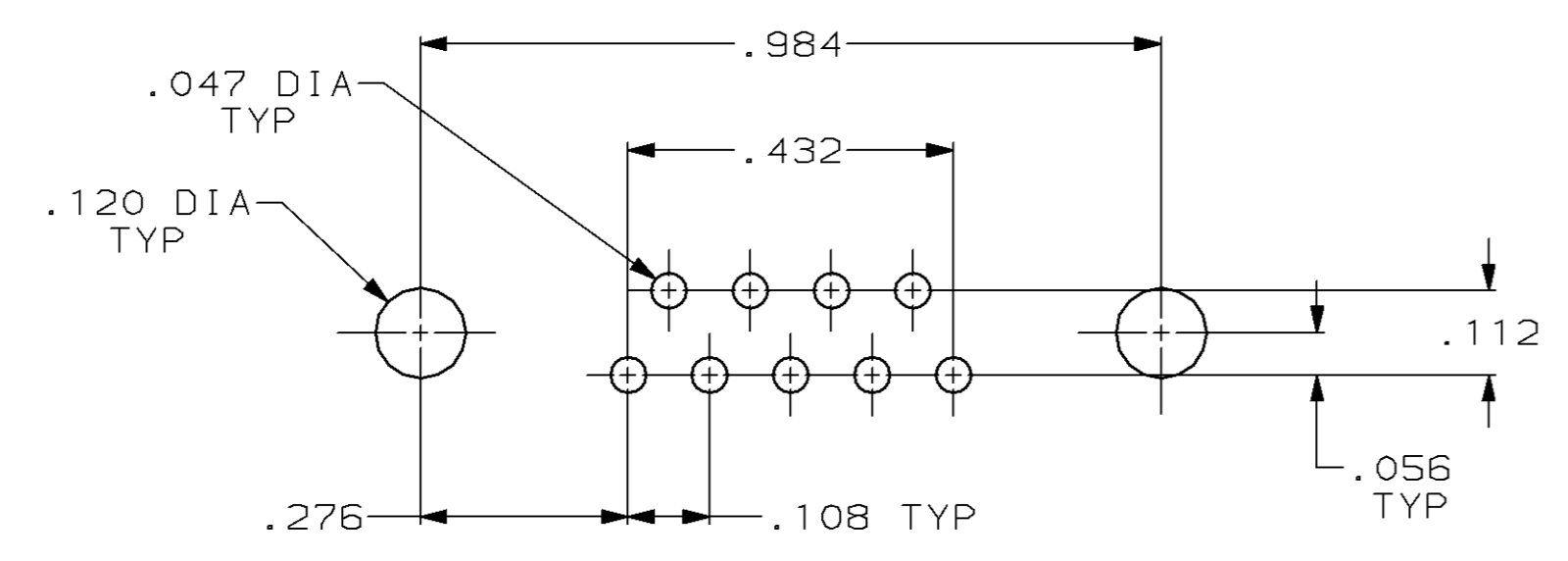
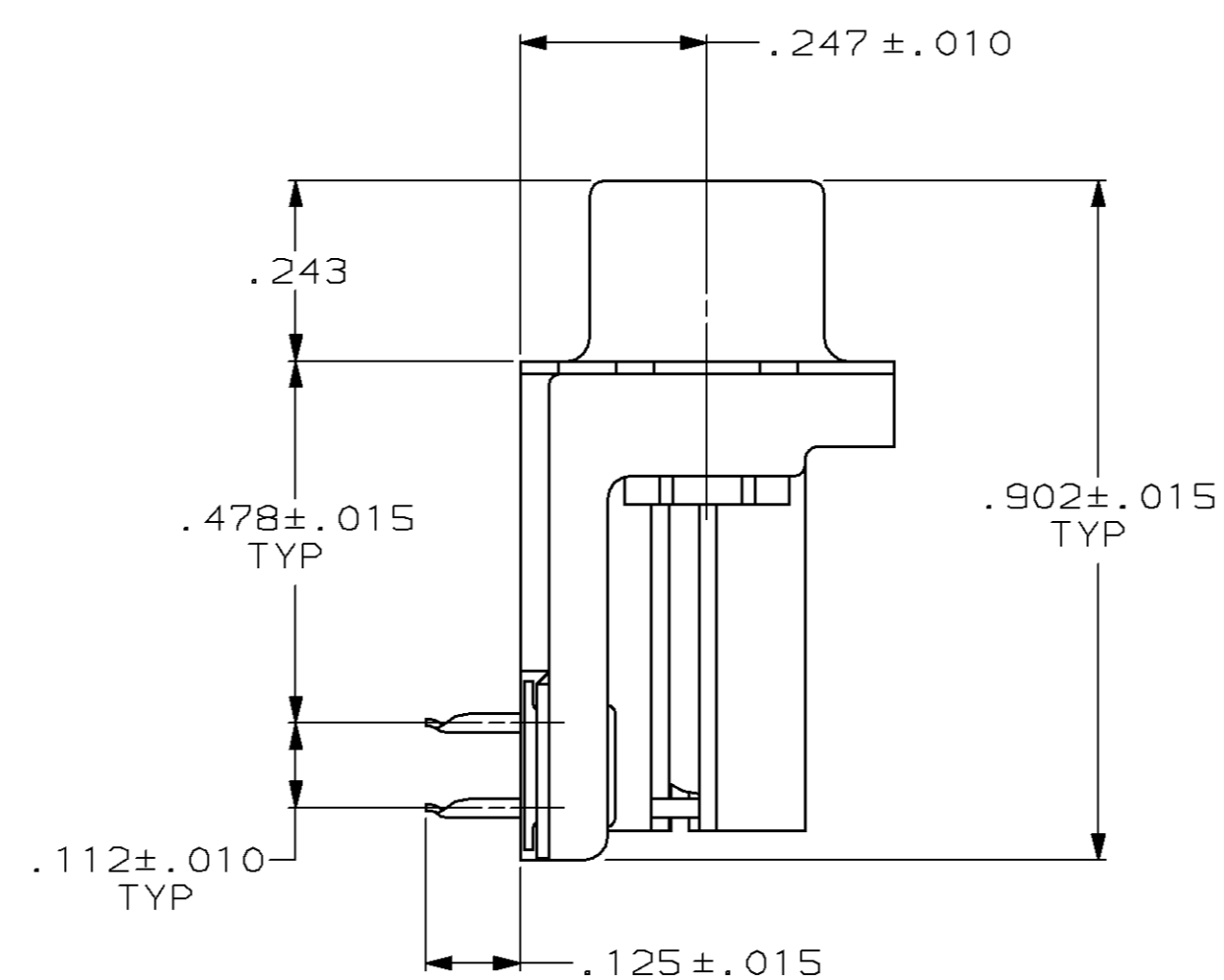
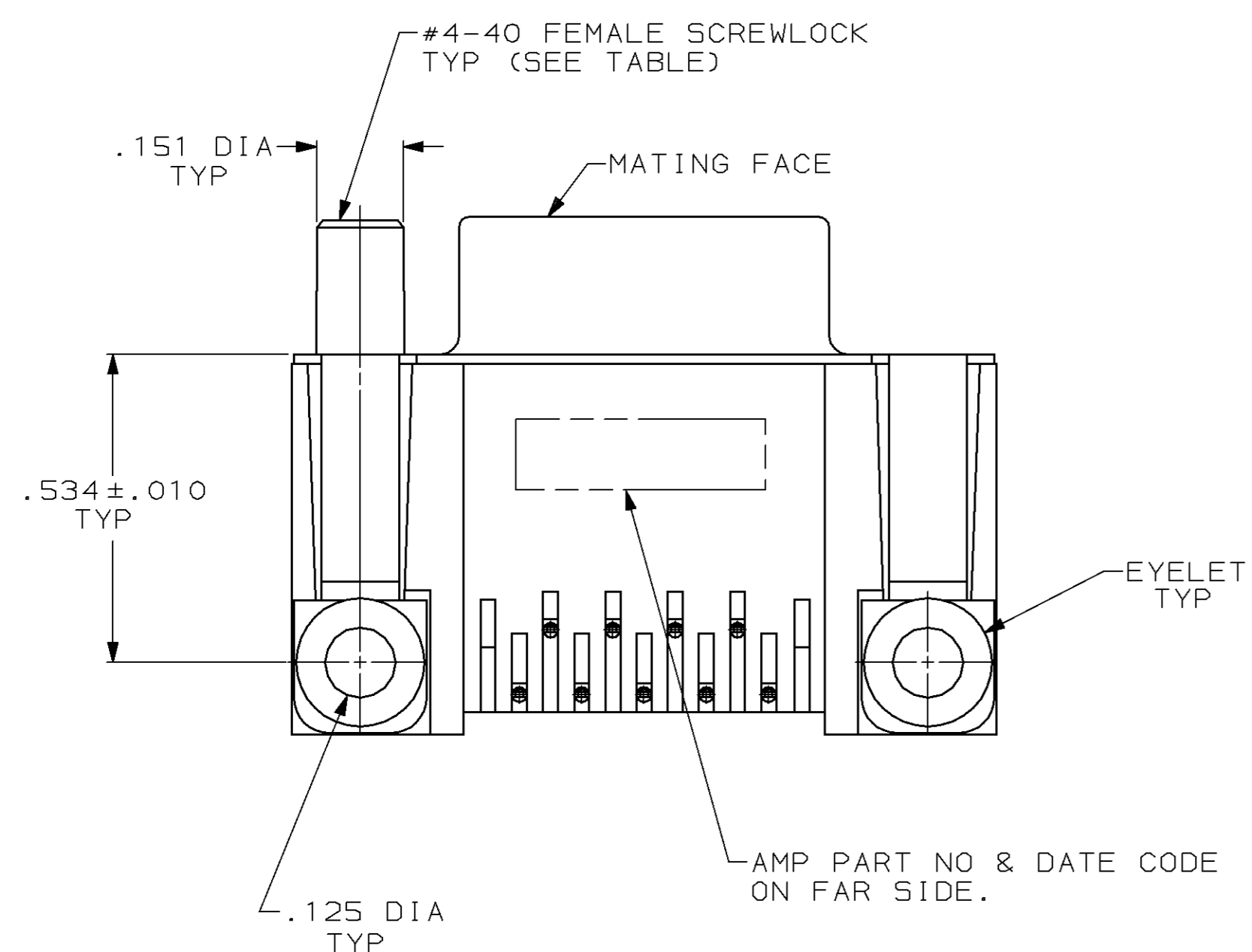


DETAIL L  
WITHOUT GROUNDING STRAPS  
TYPICAL



DETAIL M  
FOR -5 & -6 ONLY

- CONNECTOR MATES WITH ANY 9 POSN PLUG IN AMPLIMITE SERIES & COMPLIES WITH AMP SPEC 108-4005 WHERE APPLICABLE.
- FLAME RETARDANT 94V-0 RATED THERMOPLASTIC, BLACK.
- GOLD PER MIL-G-45204, NICKEL PER QQ-N-290, TIN PER MIL-T-10727.
- GOLD FLASH ON MATING END, .000100-.000200 TIN ON SOLDER POST, ALL OVER NICKEL.
- .000030 GOLD ON MATING END FOR LENGTH OF .100 MIN, .000100-.000200 TIN ON SOLDER POST, ALL OVER NICKEL.
- FOR CONNECTORS WITH FEMALE SCREWLOCKS TOLERANCE IS ±.010 MEASURED AT TOP OF SCREWLOCKS.
- REFER TO APPLICATION SPEC 114-40010 FOR RECOMMENDED PC BOARD MTG DIMENSIONS FOR AUTOMATIC INSERTION.
- PHOSPHOR BRONZE PER QQ-B-750.
- EYELET: BRASS; SCREWLOCKS & INSERTS: ZINC.
- EYELET: TIN; SCREWLOCKS AND INSERTS: CLEAR CHROMATE.



PC BOARD MOUNTING DIMENSIONS

OBSOLETE	SEE DETAIL L	4-40 FEMALE SCREWLOCKS	4	1-747418-2
OBSOLETE	SEE DETAIL L	4-40 FEMALE SCREWLOCKS	4	1-747418-1
OBSOLETE	SEE DETAIL L	4-40 THREADED INSERTS	5	1-747418-0
OBSOLETE	SEE DETAIL L	4-40 THREADED INSERTS	4	747418-9
OBSOLETE	SEE DETAIL L	.120 DIA THRU HOLE	5	747418-8
OBSOLETE	SEE DETAIL L	.120 DIA THRU HOLE	4	747418-7
OBSOLETE	W/GROUNDING STRAP	4-40 FEMALE SCREWLOCKS	5	747418-6
OBSOLETE	W/GROUNDING STRAP	4-40 FEMALE SCREWLOCKS	4	747418-5
OBSOLETE	W/GROUNDING STRAP	4-40 THREADED INSERTS	5	747418-4
OBSOLETE	W/GROUNDING STRAP	4-40 THREADED INSERTS	4	747418-3
OBSOLETE	W/GROUNDING STRAP	.120 DIA THRU HOLE	5	747418-2
OBSOLETE	W/GROUNDING STRAP	.120 DIA THRU HOLE	4	747418-1

SHELL VERSION	MOUNTING HOLES	CONTACT FINISH	PART NUMBER
		3	

DO NOT SCALE PRINT. UNLESS SPECIFIED DIMENSIONS IN INCHES TOLERANCES ON:		PART NO	
2 PLC DEC ± .005	3 PLC DEC ± .005	DR 6-20-91 R. SHIREY	AMP Incorporated Harrisburg, PA 17105-3608
ANGLES ± 2°		CHK 07/10/91 R. STONE	
MATERIAL HOUSING: 4 CONTACTS: 8	SHELL: STEEL PER ASTM A109	APPD 07/11/91 C. RICHARDS	NAME RCPT ASSY, SIZE 1, RTANG, 9 POSN, WITH FRONT METAL SHELL, .026 DIA POSTS, .478 SERIES, AMPLIMITE® HD-20
HARDWARE: 9		PRODUCT SPEC 108-40025	
FINISH SHELL: TIN CONTACTS: SEE TABLE		APPLICATION SPEC 114-40010	SIZE D CAGE CODE 00779 DRAWING NO 747418
HARDWARE: 10		WEIGHT -	SCALE 4:1 SHEET 1 OF 1