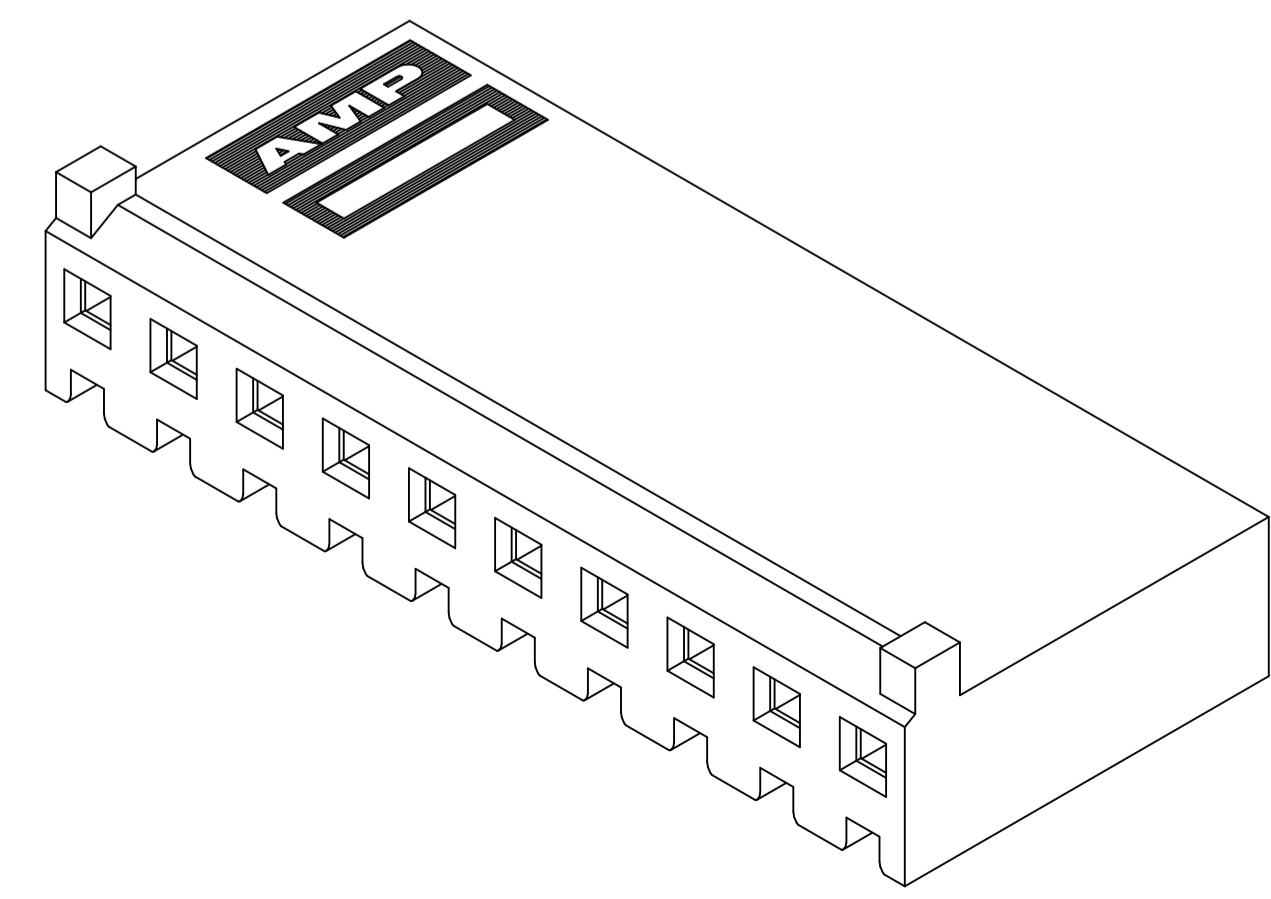
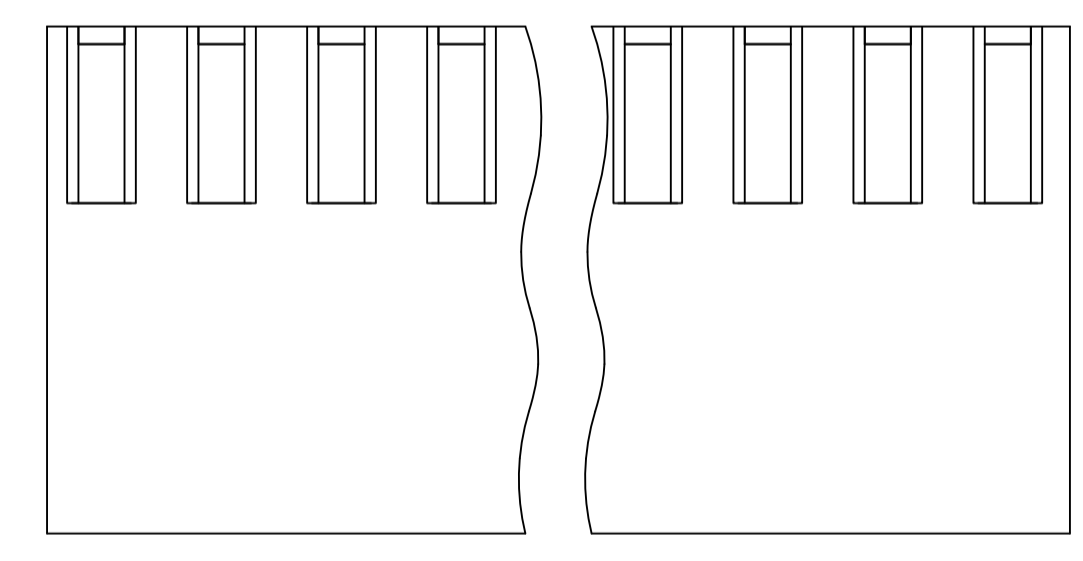
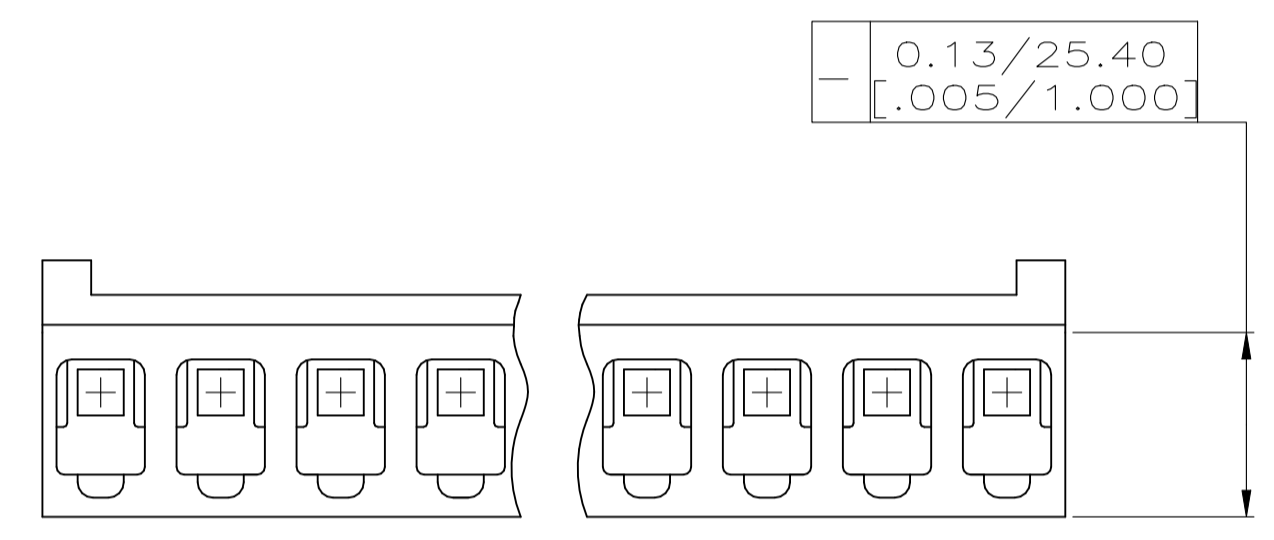
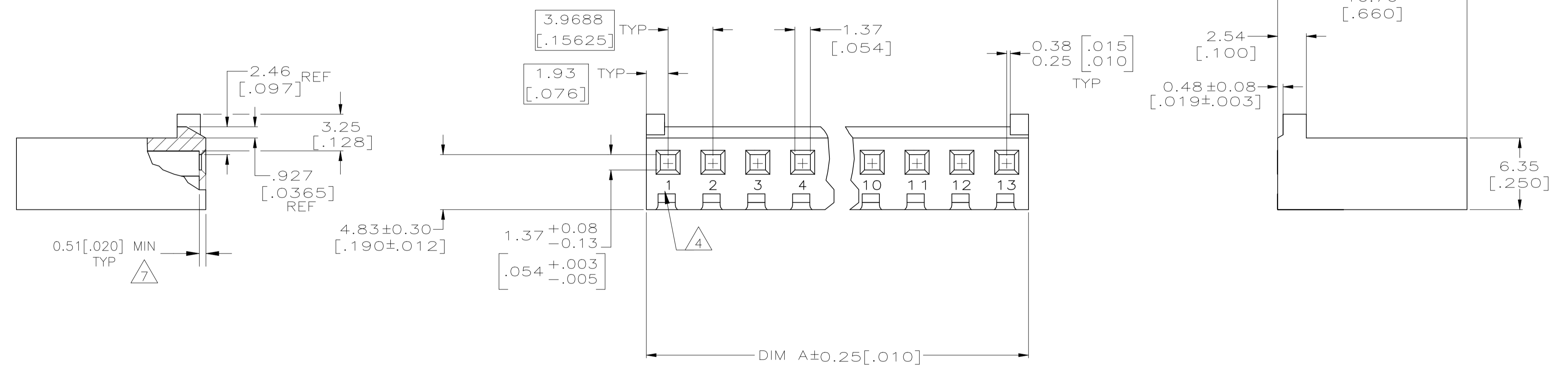
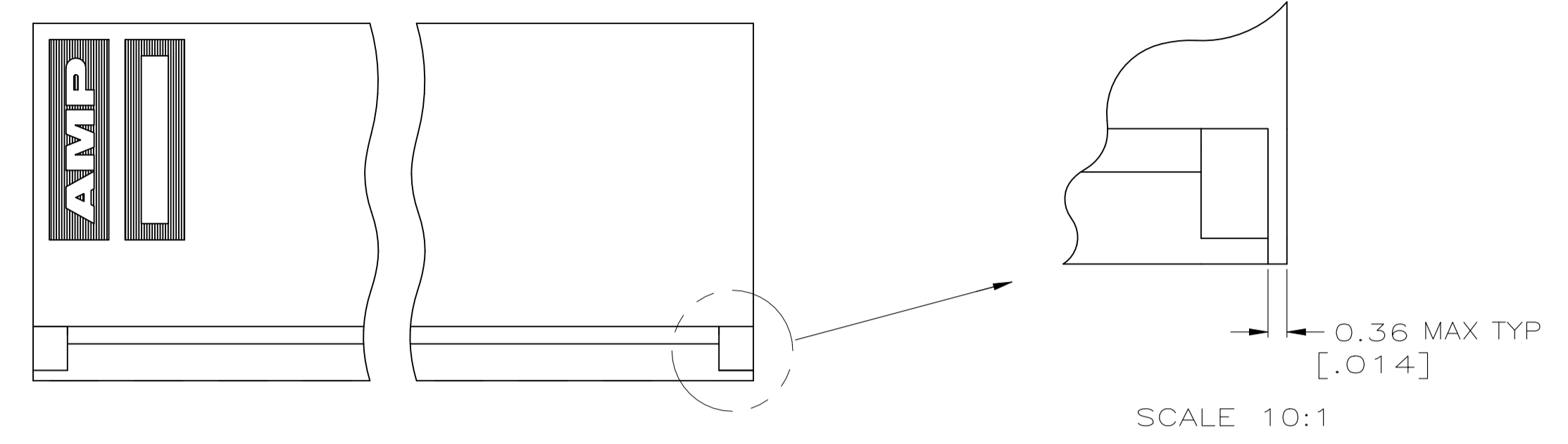


REVISIONS				
P	LTR	DESCRIPTION	DATE	APPV
P6		REVISED PER ECR-23-194519	08DEC2023	AK JP

- 1 UNIT ACCEPTS 1.14[.045] SQUARE OR ROUND POST.
- 2 UNIT ACCEPTS STANDARD SL-156 CONTACTS.
- 3 UNIT ACCEPTS KEYING PLUG 640254-1 AND KEYING PIN 640255-1.
- 4 IDENTIFICATION NUMBER FOR ALL POSITIONS, OR FOR POSITION 1 ONLY, WILL BE LOCATED AS SHOWN.
- 5 DIMENSIONS IN BRACKETS ARE IN INCHES.
- 6 NO CSA/UR LOGO
- 7 MEETS UL61800-5-1

Flam	RTIe deg C	HWI	HWI	CTI
V0	120C	PLC4	PLC0	PLC0_UL746



COLOR	MM [INCHES]	NO OF POSITION	PART NUMBER
YELLOW	7.82 [0.308]	2	8-770849-2
BROWN	7.82 [0.308]	2	7-770849-2
BLUE	7.82 [0.308]	2	6-770849-2
RED	7.82 [0.308]	2	5-770849-2
GRAY	7.82 [0.308]	2	4-770849-2
BLACK	7.82 [0.308]	2	3-770849-2
NATURAL	95.15 [3.746]	24	2-770849-4
NATURAL	91.19 [3.590]	23	2-770849-3
NATURAL	87.20 [3.433]	22	2-770849-2
NATURAL	83.24 [3.277]	21	2-770849-1
NATURAL	79.27 [3.121]	20	2-770849-0
NATURAL	75.31 [2.965]	19	1-770849-9
NATURAL	71.30 [2.807]	18	1-770849-8
NATURAL	67.34 [2.651]	17	1-770849-7
NATURAL	63.40 [2.496]	16	1-770849-6
NATURAL	59.44 [2.340]	15	1-770849-5
NATURAL	55.45 [2.183]	14	1-770849-4
NATURAL	51.49 [2.027]	13	1-770849-3
NATURAL	47.52 [1.871]	12	1-770849-2
NATURAL	43.56 [1.715]	11	1-770849-1
NATURAL	39.57 [1.558]	10	1-770849-0
NATURAL	35.61 [1.402]	9	770849-9
NATURAL	31.65 [1.246]	8	770849-8
NATURAL	27.69 [1.090]	7	770849-7
NATURAL	23.70 [0.933]	6	770849-6
NATURAL	19.74 [0.777]	5	770849-5
NATURAL	15.77 [0.621]	4	770849-4
NATURAL	11.81 [0.465]	3	770849-3
NATURAL	7.82 [0.308]	2	770849-2

1-770849-3 SHOWN

THIS DRAWING IS A CONTROLLED DOCUMENT.

DIN K SALMON 5-22-91
 CRK 5-22-91
 R SWING
 AP/ID D WORTHINGTON 5-22-91

TE Connectivity

HOUSING WITH LOCKING RAMP AND POLARIZING TABS, SL-156

SIZE: A1 CAGE CODE: 00779 DRAWING NO: 770849

SCALE: 4:1 SHEET: 1 of 1 REV: P6