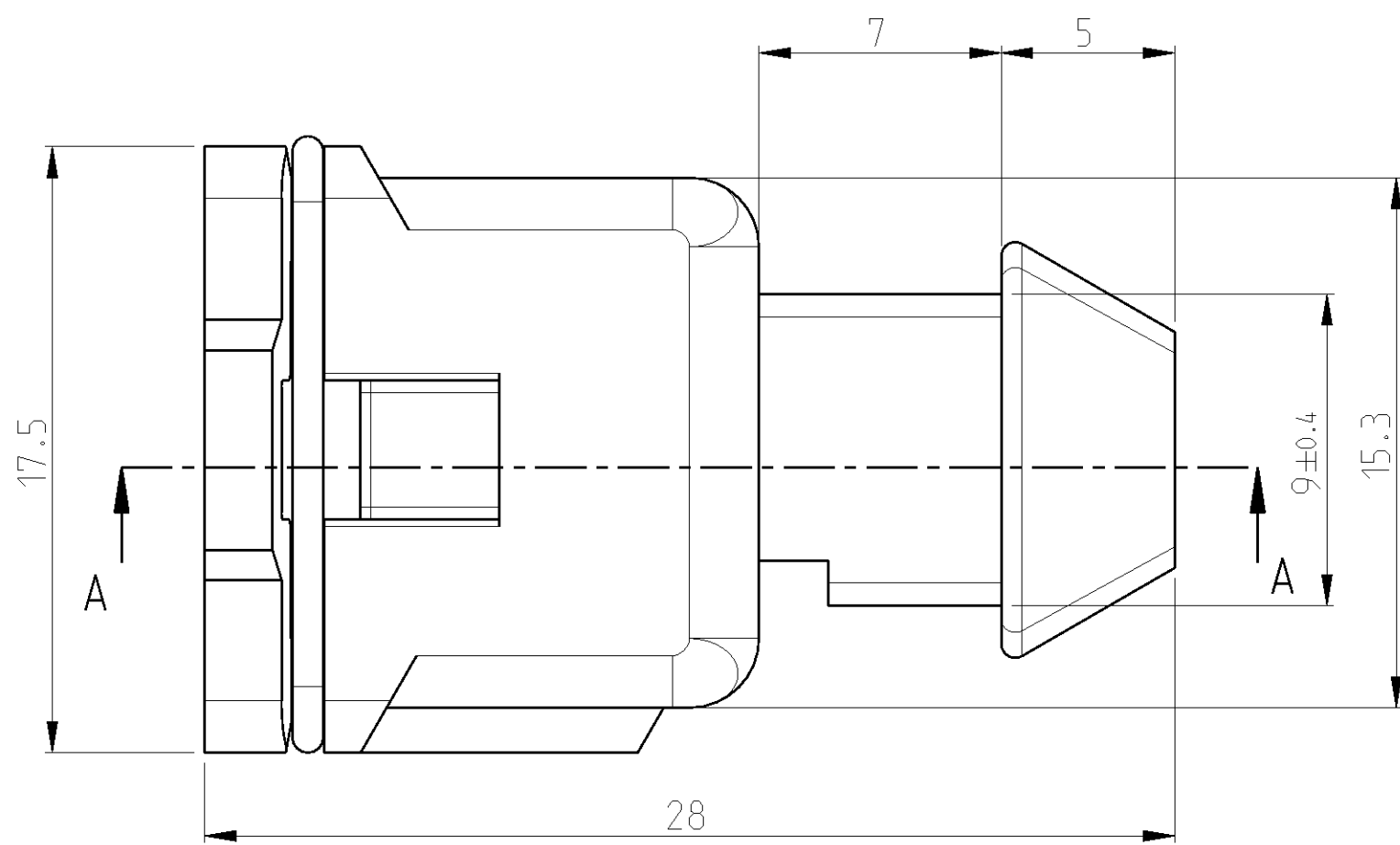
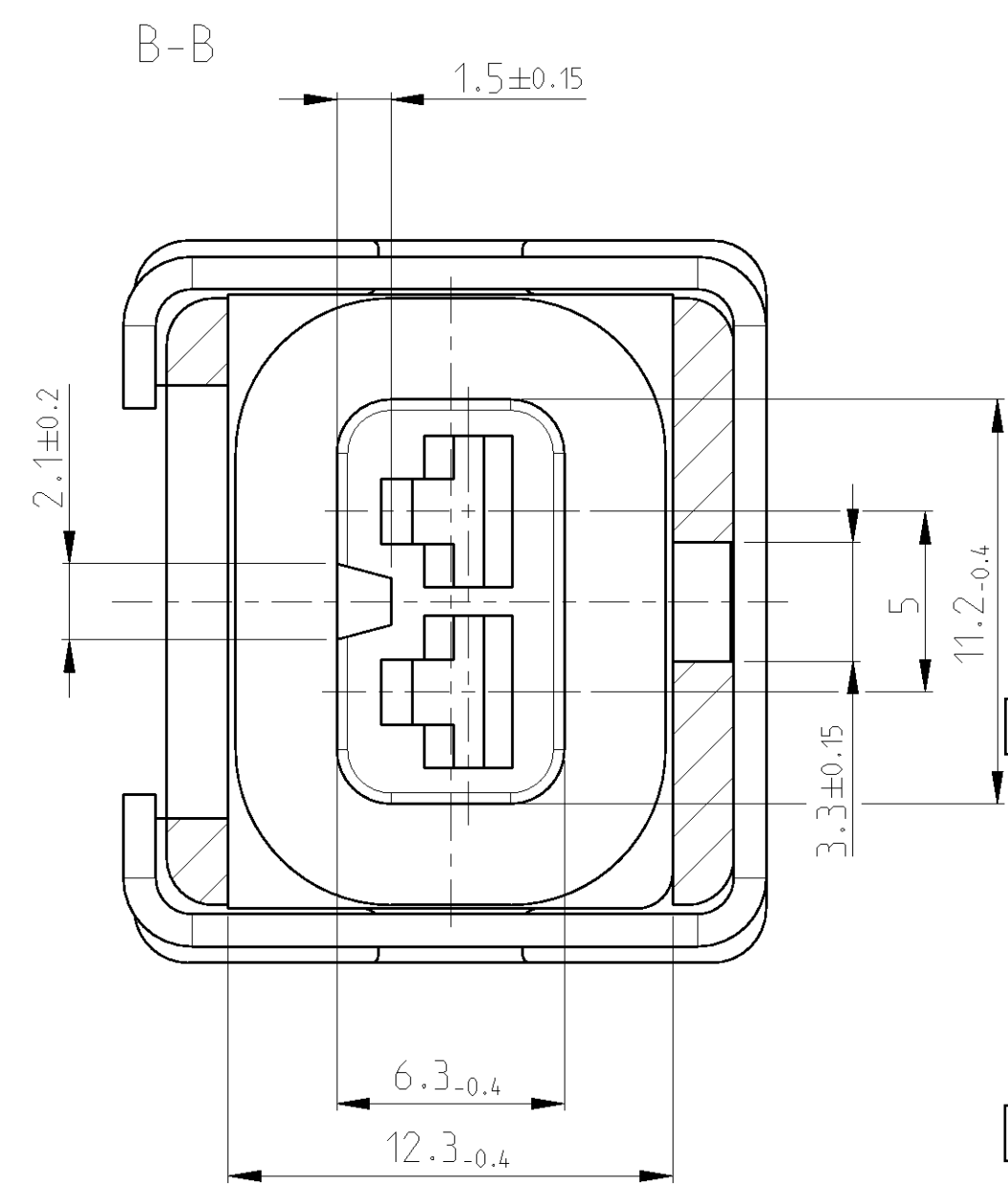
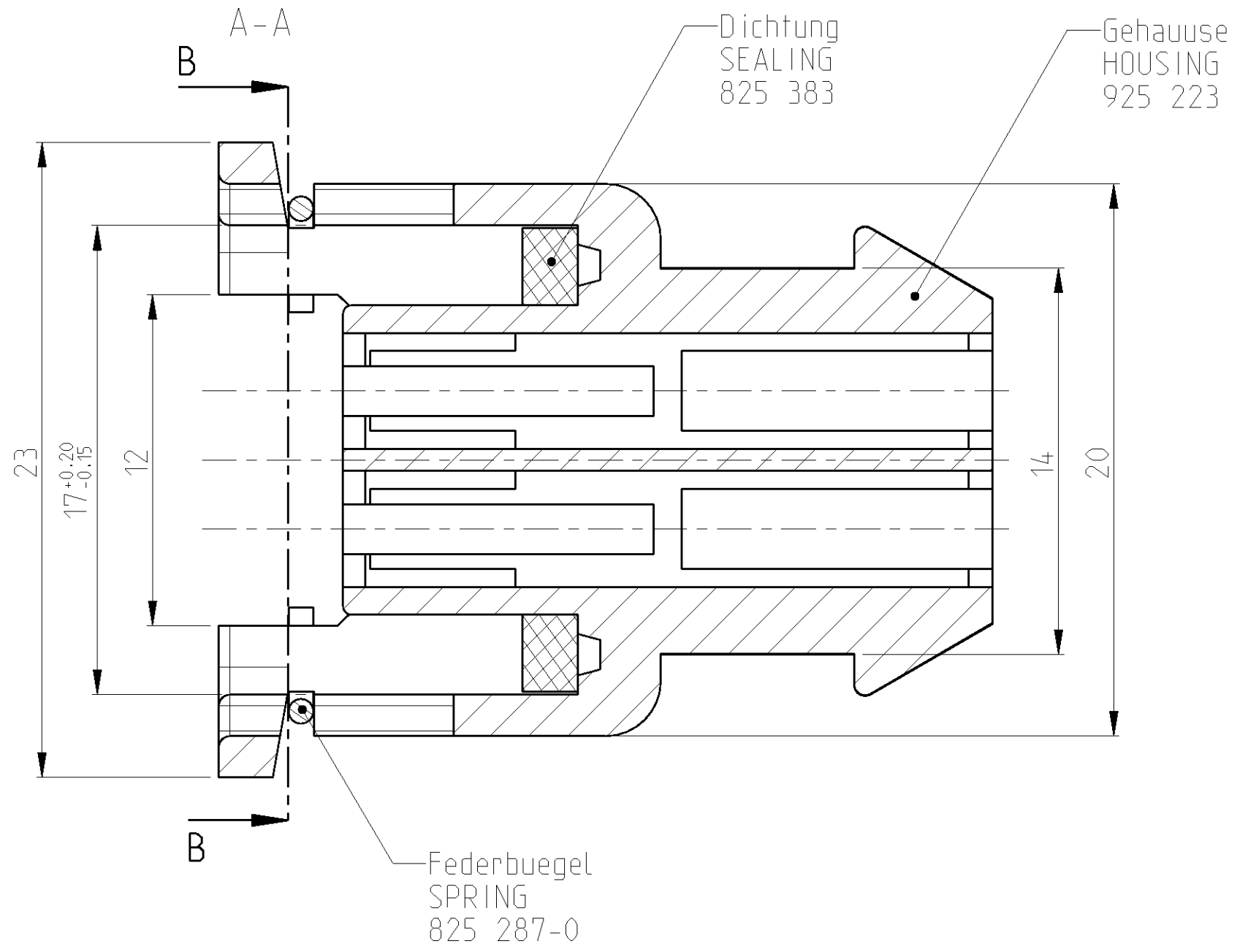


THIS DRAWING IS UNPUBLISHED. RELEASED FOR PUBLICATION 2012  
 © COPYRIGHT 2012 BY - ALL RIGHTS RESERVED.

LOC	DIST	REVISIONS					
		P	LTR	DESCRIPTION	DATE	DWN	APVD
A1	-	G3		Dimensions new attracted	22NOV2012	Ho.	Krauss
		G4		REVISED PER ECR-23-188581	03MAR2024	RK	DJ
		G5		REVISED PER ECR-24-210448	31MAY2024	SDT	SCK



ASSY NO.	COLOR	HSG.	MATERIAL	HSG.	SEALING NO.
3-825 414-6	BROWN	PA 6.6	GV 30	825 383-4	
3-825 414-5	BLACK	PA 6.6	GV 30	825 383-4	
<del>3-825 414-3</del>	<del>BLUE</del>	<del>PA 6.6</del>	<del>GV 30</del>	<del>825 383-4</del>	
3-825 414-2	GREEN	PA 6.6	GV 30	825 383-4	
3-825 414-1	GREY	PA 6.6	GV 30	825 383-4	
3-825 414-0	CLEAR	PA 6.6	GV 30	825 383-4	
2-825 414-6	BROWN	PA 6.6	GV 13	825 383-4	
2-825 414-5	BLACK	PA 6.6	GV 13	825 383-4	
<del>2-825 414-3</del>	<del>BLUE</del>	<del>PA 6.6</del>	<del>GV 13</del>	<del>825 383-4</del>	
2-825 414-2	GREEN	PA 6.6	GV 13	825 383-4	
2-825 414-1	GREY	PA 6.6	GV 13	825 383-4	
2-825 414-0	CLEAR	PA 6.6	GV 13	825 383-4	
1-825 414-6	BROWN	PA 6.6	GV 30	825 383-1	
1-825 414-5	BLACK	PA 6.6	GV 30	825 383-1	
1-825 414-3	BLUE	PA 6.6	GV 30	825 383-1	
1-825 414-2	GREEN	PA 6.6	GV 30	825 383-1	
1-825 414-1	GREY	PA 6.6	GV 30	825 383-1	
1-825 414-0	CLEAR	PA 6.6	GV 30	825 383-1	
825 414-6	BROWN	PA 6.6	GV 13	825 383-1	
825 414-5	BLACK	PA 6.6	GV 13	825 383-1	
<del>825 414-3</del>	<del>BLUE</del>	<del>PA 6.6</del>	<del>GV 13</del>	<del>825 383-1</del>	
825 414-2	GREEN	PA 6.6	GV 13	825 383-1	
825 414-1	GREY	PA 6.6	GV 13	825 383-1	
825 414-0	CLEAR	PA 6.6	GV 13	825 383-1	

THIS DRAWING IS A CONTROLLED DOCUMENT.

DWN: Haas, C. 18JUL2006  
 CHK: Siredak, F. 23AUG2006  
 APVD: Bleicher, M. 25AUG2006

DIMENSIONS: mm  
 TOLERANCES UNLESS OTHERWISE SPECIFIED:  
 0 PLC ±  
 1 PLC ±  
 2 PLC ±  
 3 PLC ±  
 4 PLC ±  
 ANGLES ±°  
 FINISH

MATERIAL: SEE TABLE

Customer Drawing

TE Connectivity  
 ASSEMBLY FOR 2POS. FEMALE HSG. FOR JUNIOR-TIMER CONTACT  
 2 pol. Buchsengeh. fuer JT Kontakt

SIZE: A2  
 CAGE CODE: 00779  
 DRAWING NO: C=825414\_C  
 RESTRICTED TO: -

SCALE: 5:1  
 SHEET: 1 OF 1  
 REV: G5