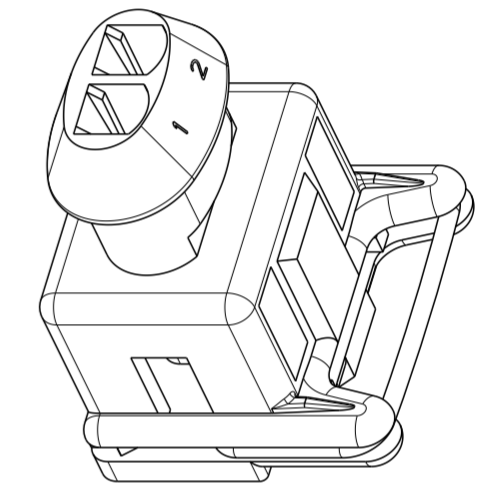
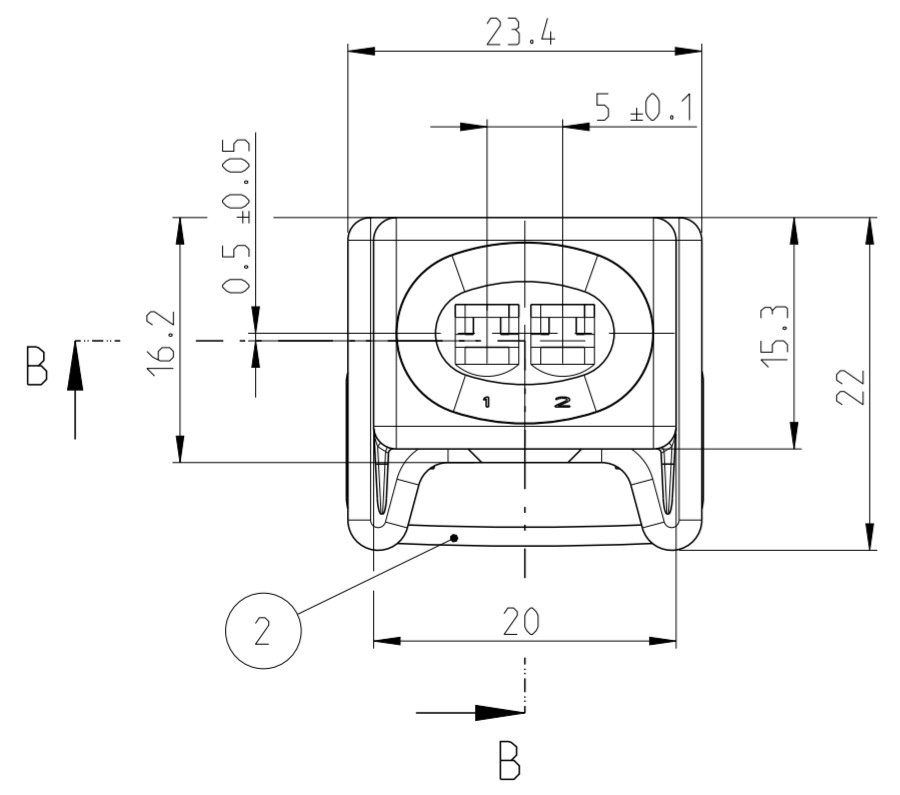
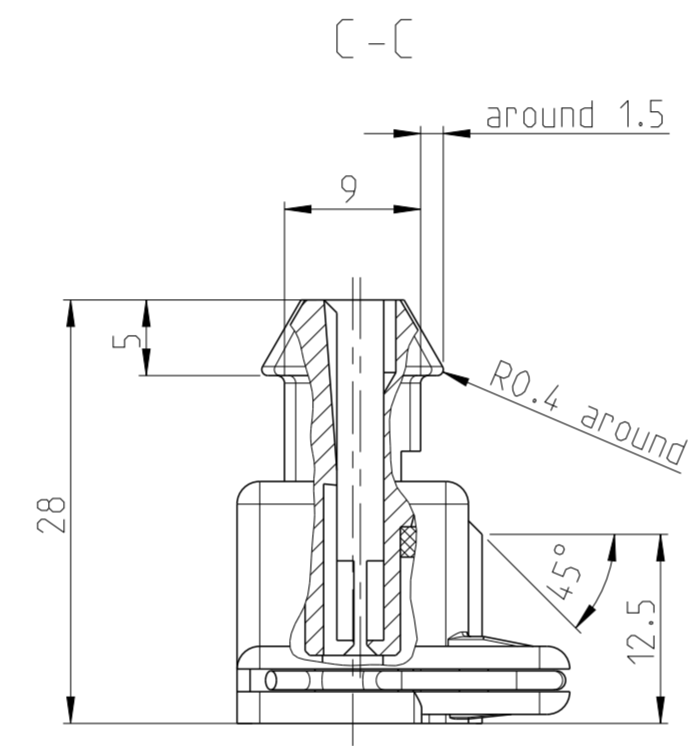
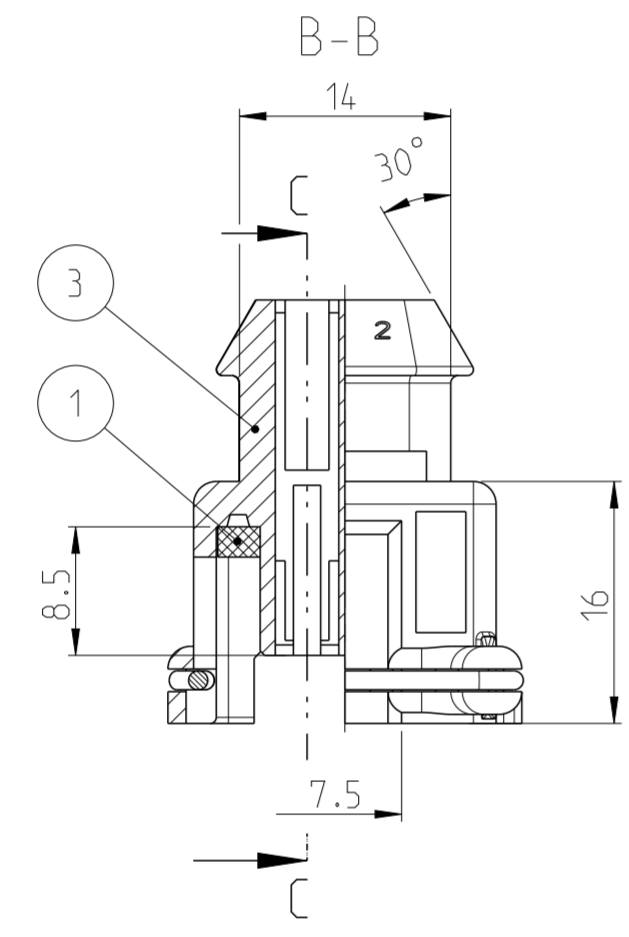
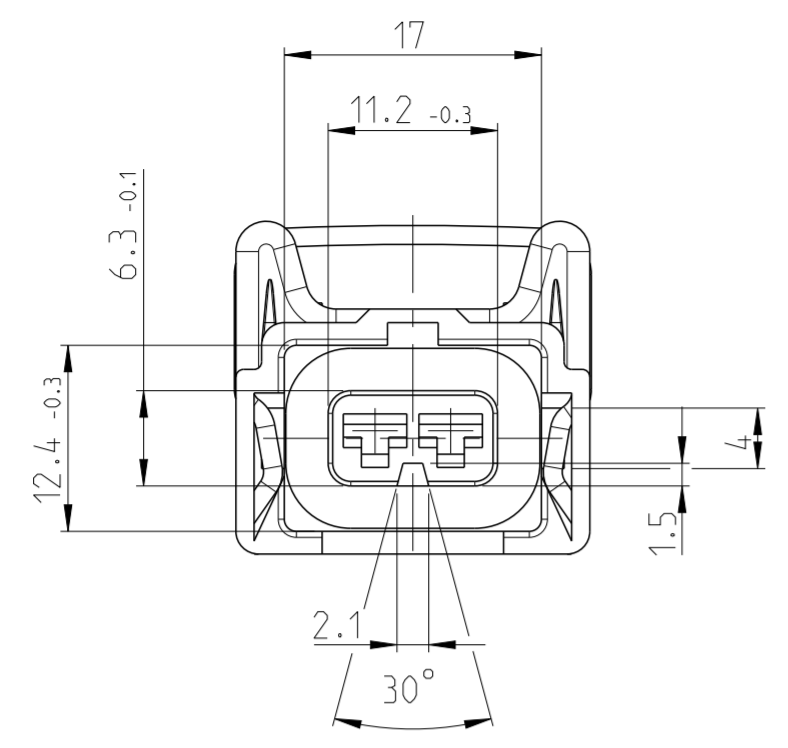


REVISIONS				
P	LTR	DESCRIPTION	DATE	APVD
A4		REVISED PER ECO-11-005294	29APR2011	RK HMR
A5		OBSOLETE PN 827551-6	17DEC2021	KMD SCK



827551-8	827551-7	827551-6	827551-5	827551-4	827551-3	827551-2	827551-1	PART-NO.	DESCRIPTION	ITEM NO.	MATERIAL	COLOR
1	1	1	1	1	1	1	1	927374-8	2 POS. HOUSING	3	PA 6.6 GFV 30	YELLOW
								927374-7		3		RED
								927374-6		3		GREEN
								927374-5		3		BLUE
								927374-4		3		BROWN
								927374-3		3		BLACK
								927374-2		3		GREY
								927374-1		3		NATURAL
1	1	1	1	1	1	1	1	827547-1	SPRING	2	DIN 2076	
1	1	1	1	1	1	1	1	825383-1	SEALING	1	NEOPRENE	

A5
OBSOLETE

THIS DRAWING IS A CONTROLLED DOCUMENT.

DIMENSIONS:	TOLERANCES UNLESS OTHERWISE SPECIFIED:
mm	±0.3mm
0 PLC	±0.3mm
1 PLC	±0.3mm
2 PLC	±0.3mm
3 PLC	±0.3mm
4 PLC	±0.3mm
ANGLES	±2.5°
FINISH	

DWN	Hoschek	12 JUL 1983
CHK	Ryll	09 AUG 1983
APVD	Bleicher M.	25 AUG 2006
PRODUCT SPEC		
APPLICATION SPEC		
WEIGHT		
CUSTOMER DRAWING		

STE TE Connectivity

NAME: ASSY FOR 2POS. HSG. FOR JUNIOR-TIMER CONTACT
2 pol. Hehaeuse fuer Junior-Timer Kontakt

SIZE: A2 CAGE CODE: 100779 DRAWING NO: C-827551 RESTRICTED TO: -

SCALE: 2:1 SHEET: 1 OF 1 REV: A5