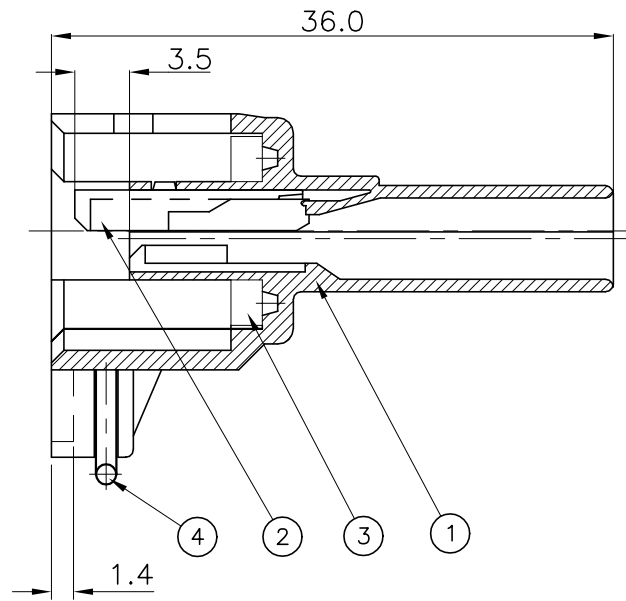
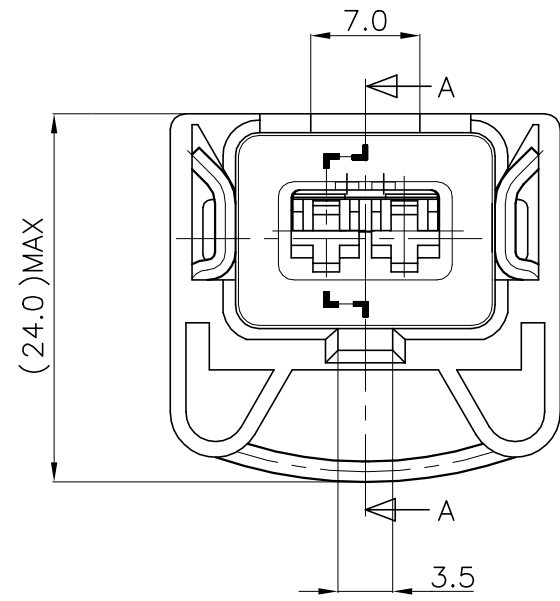
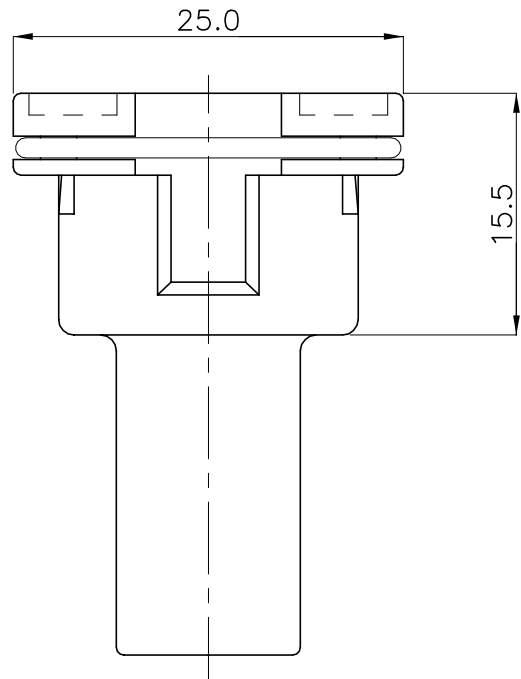


REVISIONS

P	LTR	DESCRIPTION	DATE	DWN	APVD
G1	REVISED	ECR-20-002938	31AUG2020	PSJ	SPB



SECTION A-A



KEY CODING
(SCALE 1:1)

CODING "A"	CODING "B"
	1.5

* NOTES *

1. APPLICABLE CONTACT P/NO: 927770 / 927766
2. APPLICABLE WIRE SEAL P/NO: 828904 / 828905 / 368064

NO	COLOR	MATERIAL	DESCRIPTION	QTY
4		SUS 304	SPRING	1
3	ORANGE	SILICONE	SEAL RUBBER	1
2	YELLOW	PBT	SPACER	1
1	DARK GRAY	PBT-GF30	JPT 2P HSG DG "B"	1
1	DARK GRAY	PBT-GF30	JPT 2P HSG DG	1
1	BROWN	PBT-GF30	JPT 2P HSG BR	1
1	GREEN	PBT-GF30	JPT 2P HSG GR	1
1	BLUE	PBT-GF30	JPT 2P HSG BL	1
1	BLACK	PBT-GF30	JPT 2P HSG BK	1

REV CODE	DESCRIPTION	P/N
A	JPT 2P ASS'Y DG	1-85202-3
G	JPT 2P ASS'Y DG	85202-5
G	JPT 2P ASS'Y BR	85202-4
G	JPT 2P ASS'Y GR	85202-3
G	JPT 2P ASS'Y BL	85202-2
G	JPT 2P ASS'Y BK	85202-1

TOLERANCES UNLESS OTHERWISE SPECIFIED:
 0<XX<10 ± 0.2
 10<XX<30 ± 0.25
 30<XX<100 ± 0.3
 ANGLES ± 3'

THIS DRAWING IS A CONTROLLED DOCUMENT.

DIMENSIONS: mm	TOLERANCES UNLESS OTHERWISE SPECIFIED:	DWN IS WOO	TE Connectivity NAME JPT 2P HSG ASS'Y (STANDARD)
	0 PLC ± - 1 PLC ± - 2 PLC ± - 3 PLC ± - 4 PLC ANGLES ± -	CHK KT LIM	
MATERIAL -	FINISH -	APVD HG CHO	
		PRODUCT SPEC 108-61000	
		APPLICATION SPEC 114-18018	SIZE A3
		WEIGHT 4.70g	CAGE CODE 00779
		CUSTOMER DRAWING	DRAWING NO C-85202
			RESTRICTED TO -
			SCALE FREE SHEET 1 of 1 REV G1