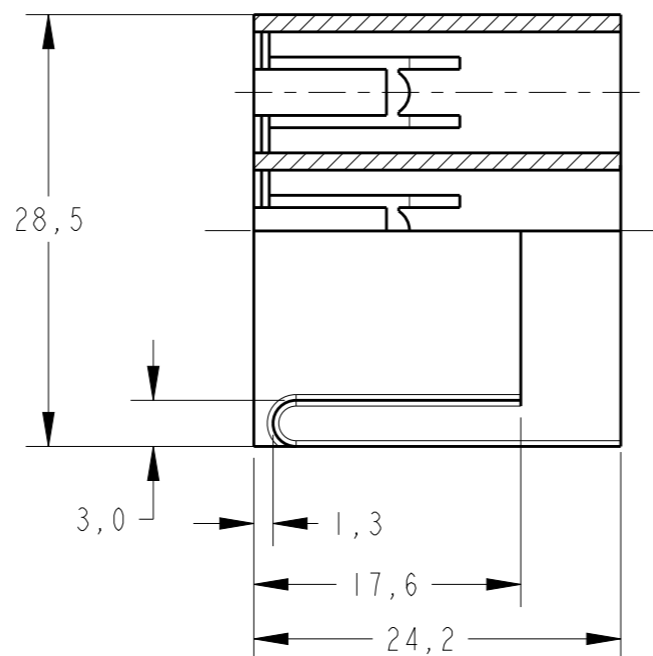
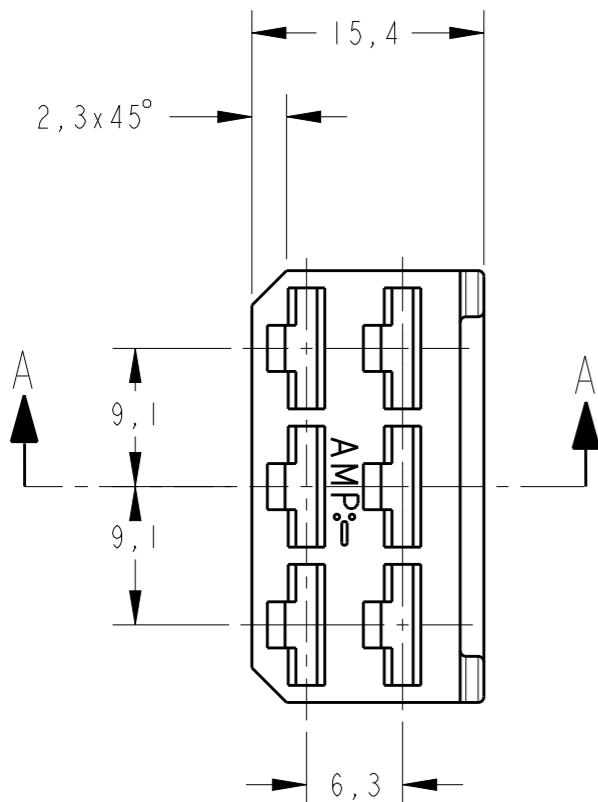


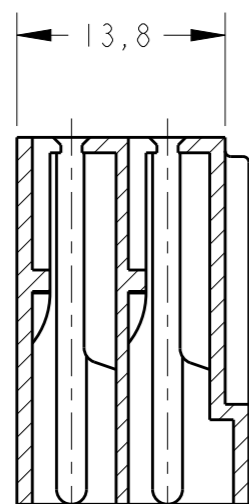
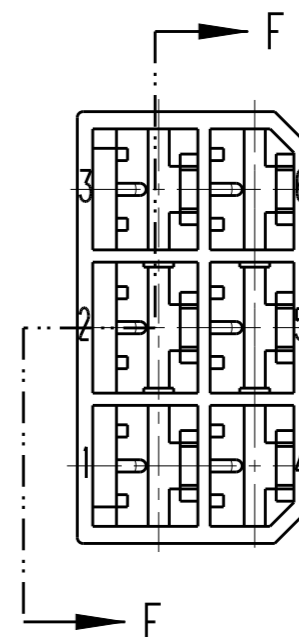
creo
 Creo Parametric 2.0
DO NOT REVISE
EXCEPT BY CAD

REVISIONS

P	LTR	DESCRIPTION	DATE	DWN	APVD
		REVISED BY ECO-08-013026	28MAY2008	NCL	LWP
F4		REVISED BY ECO 16-005810	15APR2016	HC	WLS



CORTE SECTION F - F



CORTE SECTION A - A

1-INTERCAMIÁVEL COM PN. 280314

1-INTERCHANGEABLE WITH PN. 280314.

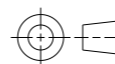
~~2~~ ~~MATÉRIA PRIMA CONFORME ESPECIFICAÇÃO IEC 60335-1, GWT 750°C, SEM CHAMA.~~
~~RAW MATERIAL ACC. TO SPEC. IEC 60335-1, GWT 750°C, WITHOUT FLAME.~~

OBSOLETE

CINZA / GRAY	PA 6.6	880297-3
PRETO / BLACK	PA 6.6	880297-2
NATURAL	2 PA 6.6 V 0	2 880297 0
NATURAL	PA 6.6	880297-1
FINISH	MATERIAL	PART NUMBER

THIS DRAWING IS A CONTROLLED DOCUMENT.

DIMENSIONS:
mm



TOLERANCES UNLESS OTHERWISE SPECIFIED:

0 PLC	±-
1 PLC	±0,3
2 PLC	±-
3 PLC	±-
4 PLC	±-
ANGLES	±1°

MATERIAL
SEE TABLE

FINISH
SEE TABLE

DWN 01APR2004

M.R.BRIZ

CHK 01APR2004

P.L.FARIA

APVD 01APR2004

L.W.PRADO

PRODUCT SPEC

APPLICATION SPEC

WEIGHT -

Customer Drawing

NAME

-

6 WAY .250 FASTIN-ON REC. HSG.

SIZE CAGE CODE DRAWING NO RESTRICTED TO

A3 - C-880297 -

SCALE 2:1 SHEET 1 OF 1 REV F4

STE TE Connectivity