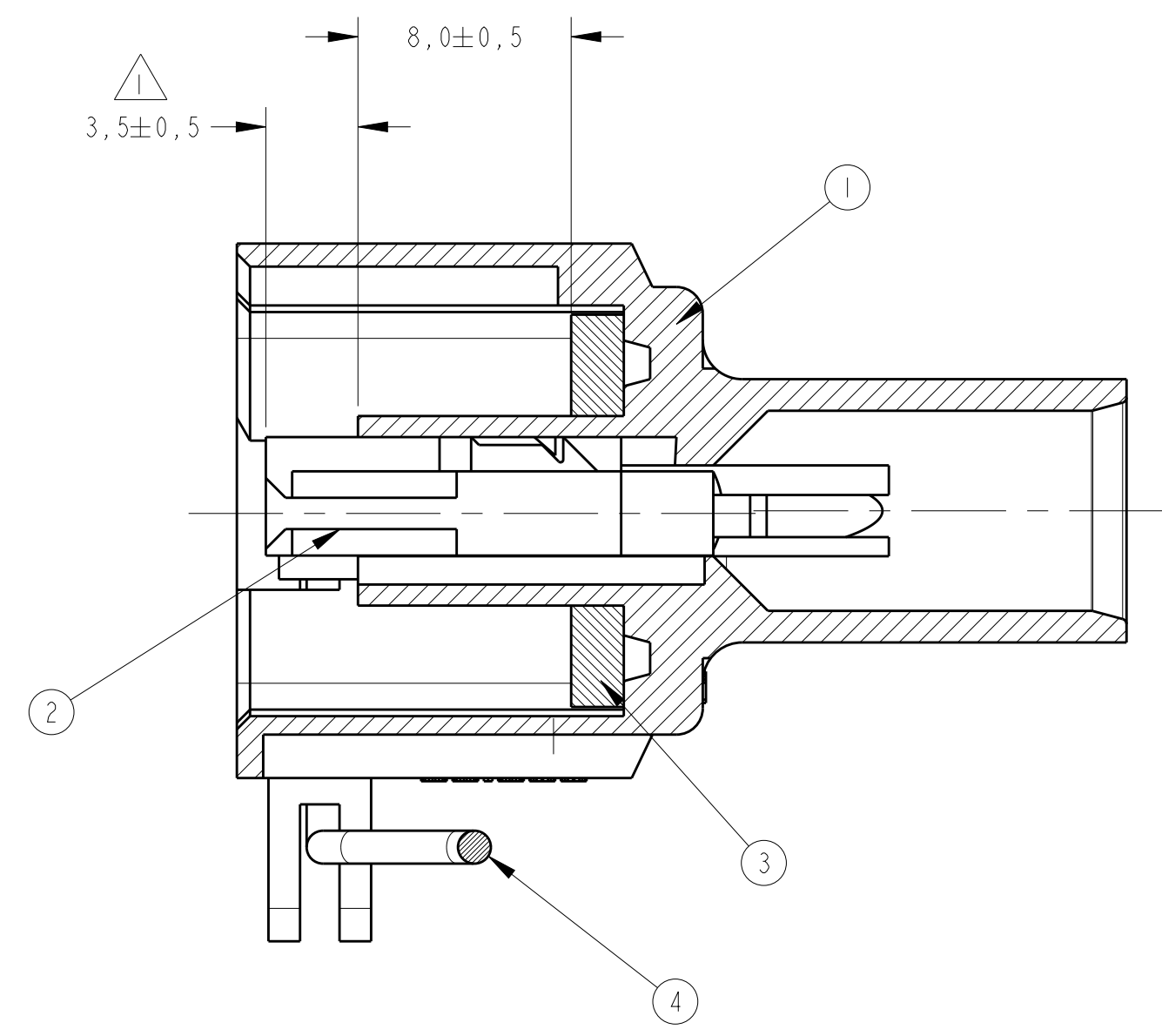
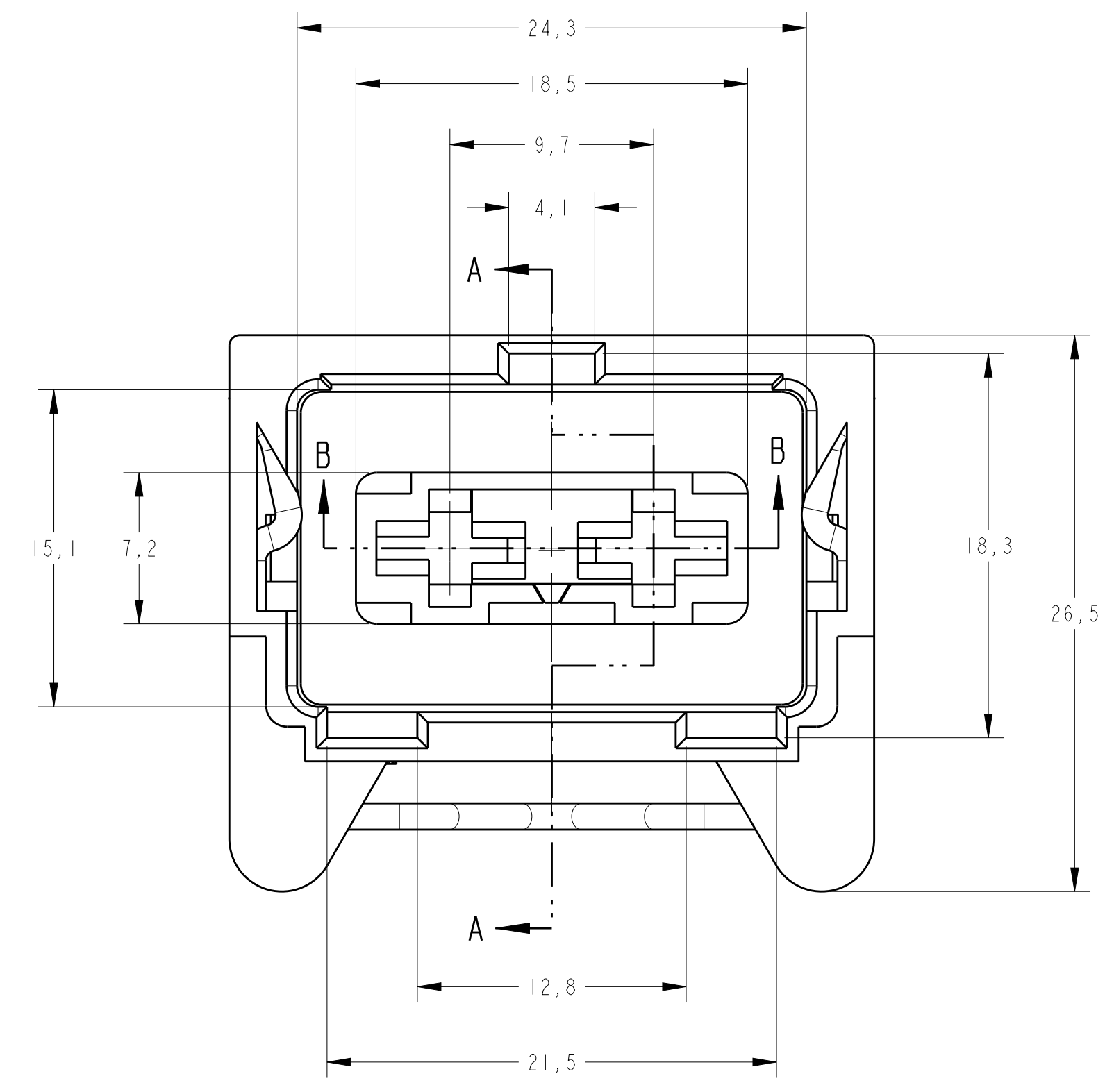
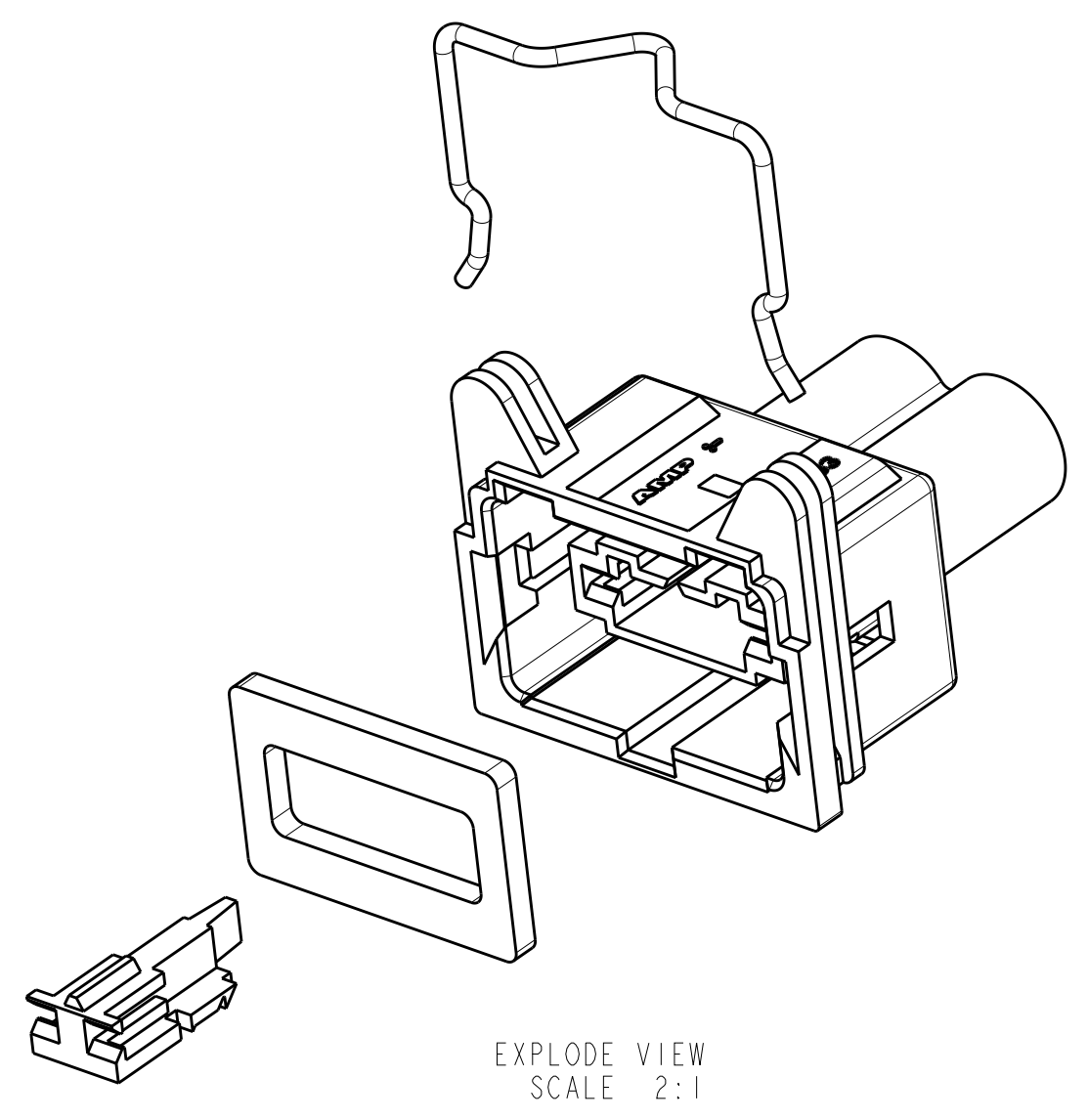


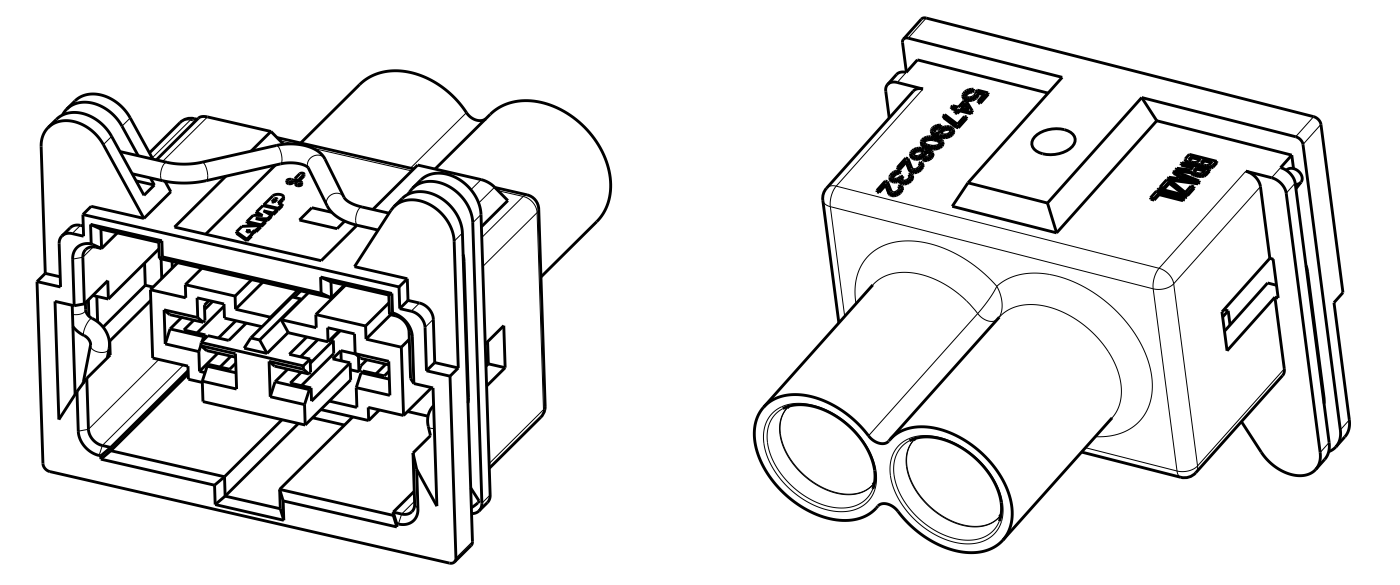
REVISIONS				
P.	LTN	DESCRIPTION	DATE	DWN APVD
D3		REVISED DRAWING ECO-16-002321	18FEB2016	NCL GOJ



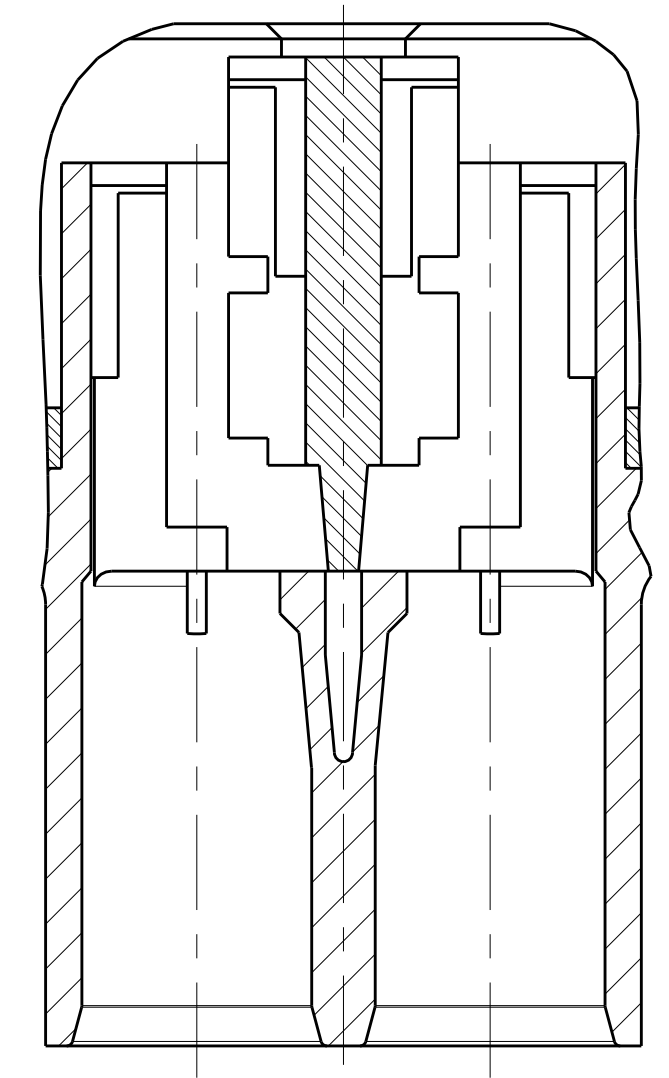
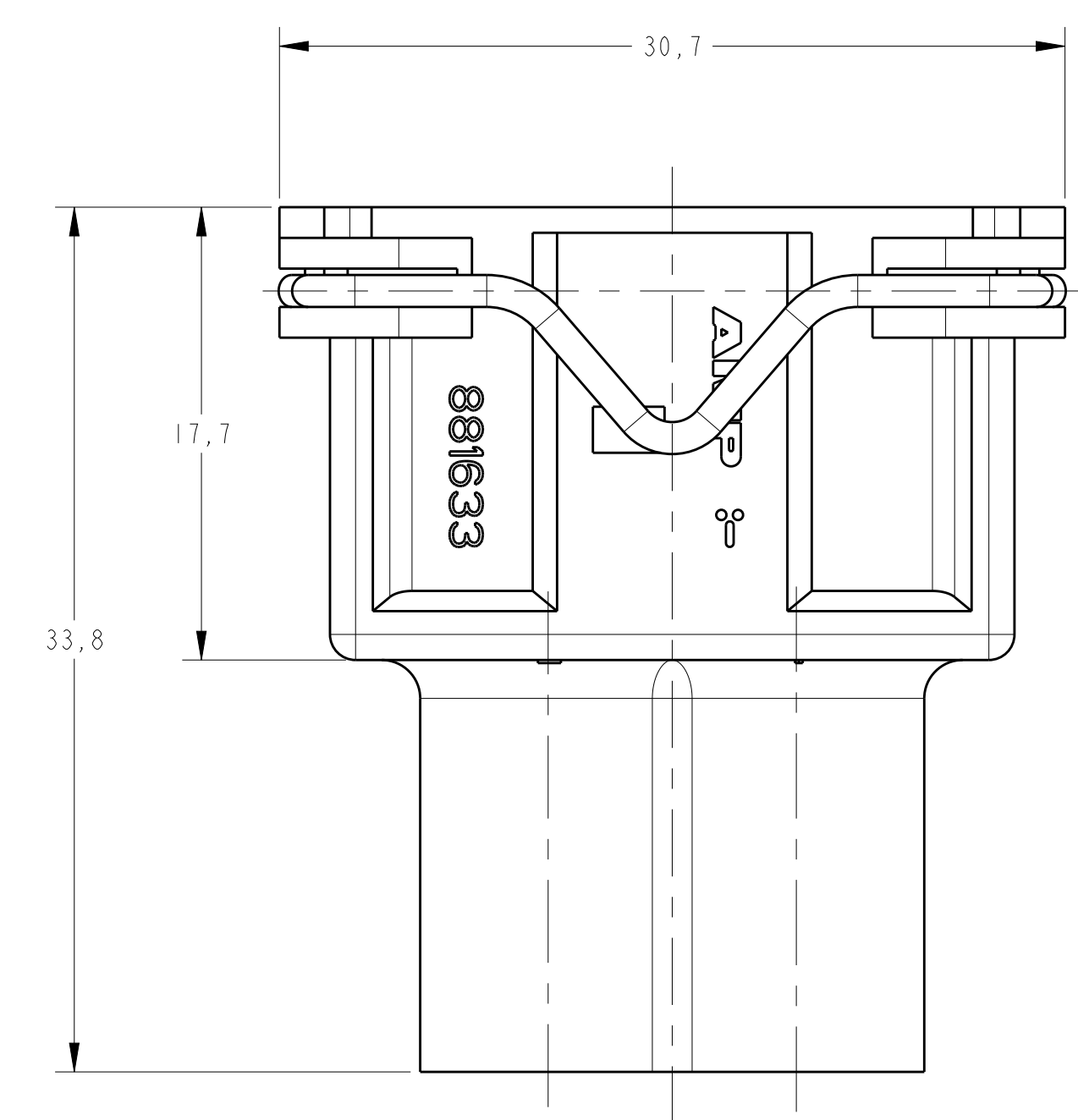
SECTION A-A



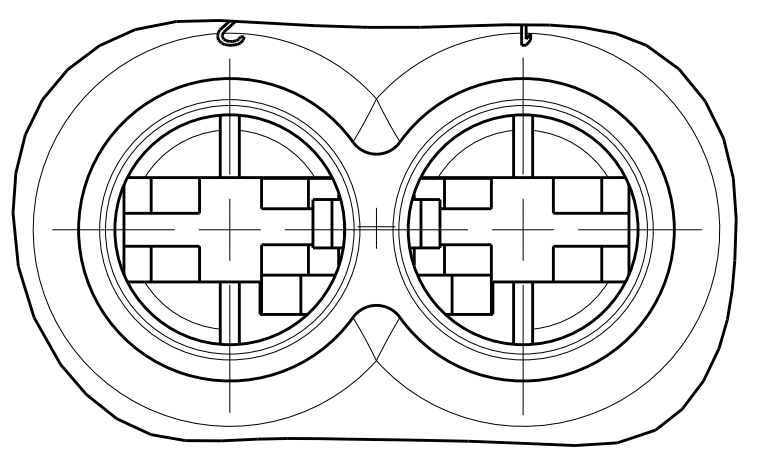
EXPLODE VIEW  
SCALE 2:1



PERSPECTIVE VIEWS  
SCALE 2:1



SECTION B-B  
SCALE 4:1



△ - OS ITENS 1 E 2 SÃO FORNECIDOS COMO MOSTRADO.  
 ITENS 1 AND 2 ARE SUPPLIED AS SHOWN.  
 2 - CAVIDADE PARA TERMINAL STD. POWER TIMER COM WIRE SEAL.  
 CAVITY FOR STD. POWER TIMER WITH WIRE SEAL.

GRAVAÇÕES MARKINGS
LOGOTIPO TE
TE LOGO
CÓDIGO PAÍS PRODUTOR
MANUFACTURER COUNTRY CODE
NÚMERO COMPONENTE TE
TE COMPONENT NUMBER
NÚMERO CAVIDADE
CAVITY NUMBER
IDENTIFICAÇÃO CIRCUITO
CIRCUIT IDENTIFICATION
NÚMERO PEÇA CLIENTE
CUSTOMER PART NUMBER
PAÍS PRODUTOR
MANUFACTURER COUNTRY

REQ. PER ASSY	ITEM	DESCRIPTION	MATERIAL	FINISH
	4	SPRING	ARAME AÇO MOLA	—
	3	RUBBER SEAL	SILICONE	LARANJA / ORANGE
	2	SPACER	PBT	AMARELO / YELLOW
	1	HSG, 2 POSN, STD POWER TIMER	PBT+30XF.V.	PRETO / BLACK
881632				

THIS DRAWING IS A CONTROLLED DOCUMENT.		DWN: NCLAPRESA 30AUG2011	TE Connectivity
DIMENSIONS: mm		CHK: JRGOLDSCHMIDT 30AUG2011	
TOLERANCES UNLESS OTHERWISE SPECIFIED:		APVD: DAQOLIVEIRA 30AUG2011	
0 PLC ± 1 PLC ±0.2 2 PLC ±0.1 3 PLC ± 4 PLC ± ANGLES ±30° FINISH SEE TABLE		NAME: HOUSING ASSY, 2POSN, STD. POWER TIMER PRODUCT SPEC: - APPLICATION SPEC: - SIZE: A1 CAGE CODE: 00779 DRAWING NO: 881632 CUSTOMER DRAWING: -	
MATERIAL: SEE TABLE	FINISH: SEE TABLE	WEIGHT: -	RESTRICTED TO: -
SCALE: 2:1			SHEET 1 OF 1
REV: D3			