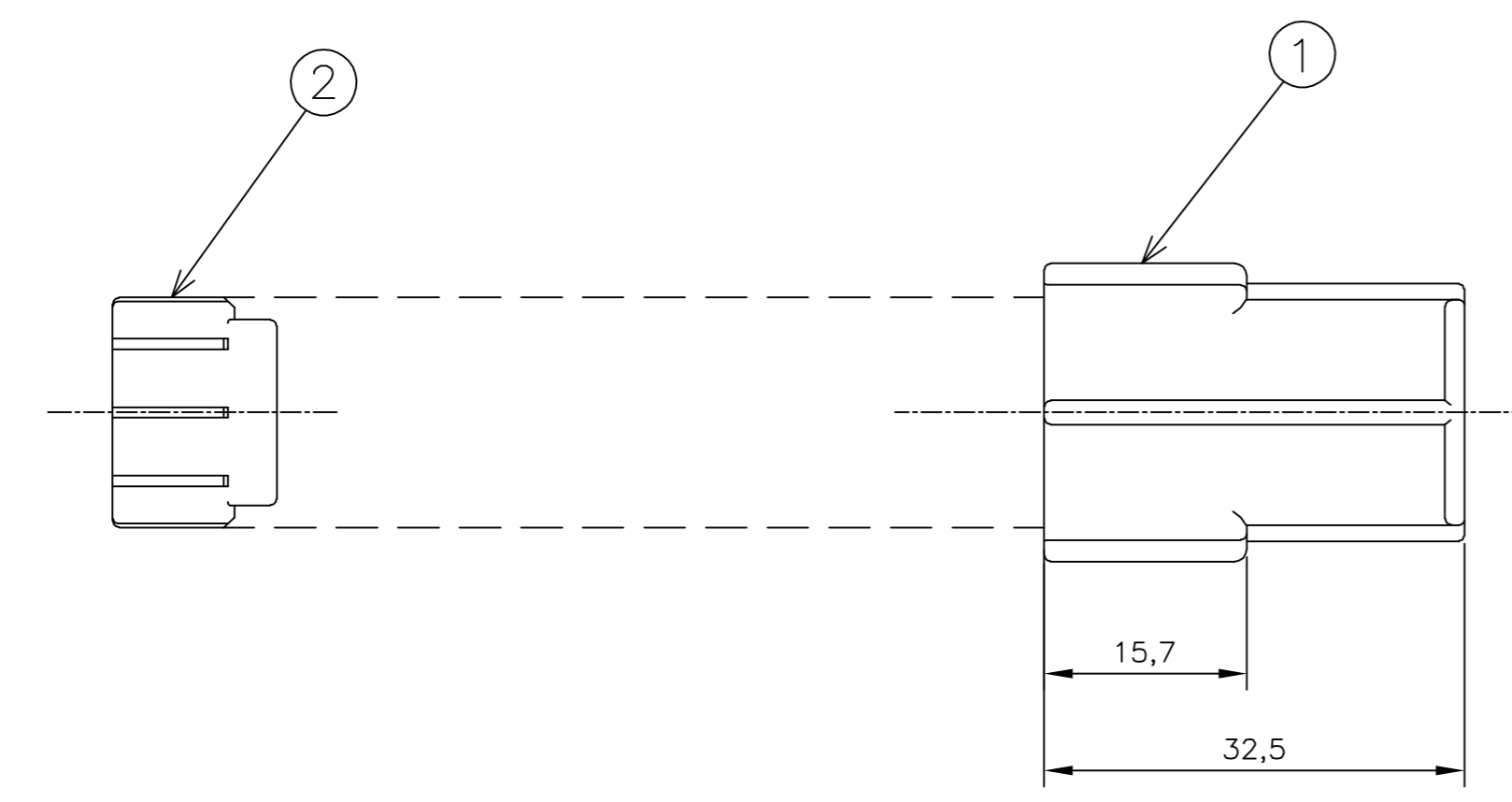
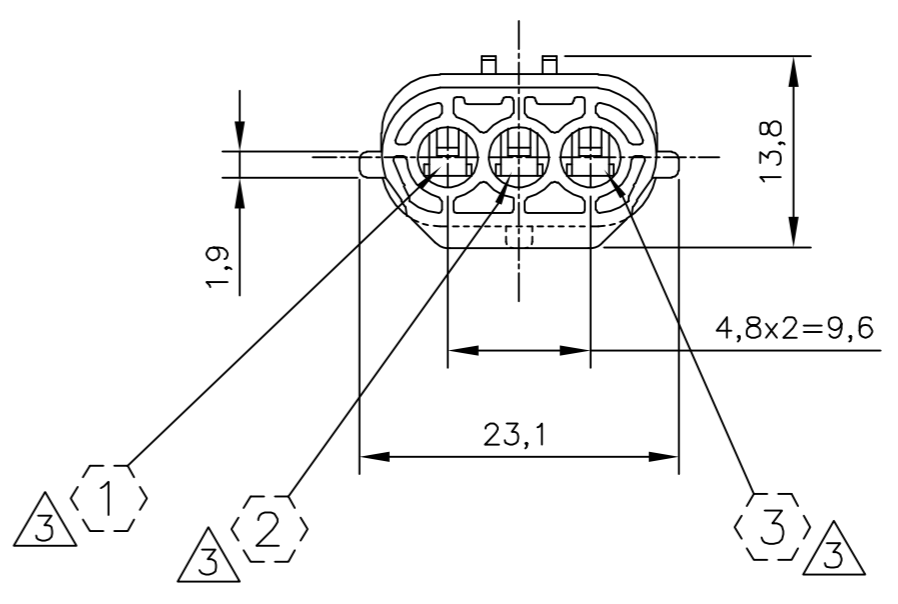
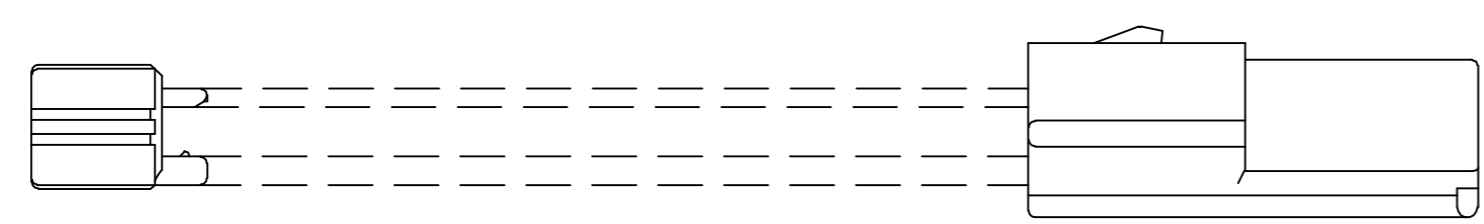


THIS DRAWING IS UNPUBLISHED. RELEASED FOR PUBLICATION
 © COPYRIGHT - By - ALL RIGHTS RESERVED.

LOC	DIST	REVISIONS			
P	LTR	DESCRIPTION	DATE	DWN	APVD
AP	-	A1 REVISED DESIGN ECO-12-009584	24MAY2012	NCL	GOJ



- 1 - OS ITENS 1 e 2 DEVEM SER FORNECIDOS DESMONTADOS
ITEMS 1 AND 2 MUST BE SUPPLIED NOT ASSEMBLED
- 2 - CONTRA-PEÇA: VER DESENHO PN 881775
COUNTER-PART: SEE DRAWING PN 881775
- 3 - INDICAÇÃO DOS CIRCUITOS { } SOMENTE ORIENTATIVO: NÃO CONSTAM
COMO GRAVAÇÃO NA PEÇA FÍSICA
CIRCUIT INDICATION { } IS ONLY ORIENTATIVE: DON'T HAVE MARKING IN THE PHYSICAL PART

SELOS RECOMENDADOS RECOMMENDED WIRE SEALS					
172748-1	SINGLE WIRE SEAL	CAVITY PLUG	CAVITY PLUG	SILICONE / SILICON	PRETO/BLACK
172748-2	SINGLE WIRE SEAL	CAVITY PLUG	CAVITY PLUG	SILICONE / SILICON	CINZA/GRAY
444430-1	SINGLE WIRE SEAL	0,5 TO 1,5mm ²	Ø 1,4 TO 2,4mm	SILICONE / SILICON	MARROM/BROWN
PART NUMBER	DESCRIÇÃO DESCRIPTION	WIRE RANGE	INSULATION RANGE	MATERIAL	ACABAMENTO FINISH

TERMINAIS RECOMENDADOS RECOMMENDED TERMINALS					
881590-1	TERMINAL 1.8 ECONOSEAL "J" SERIES MARKII TAB	0,5 TO 1,0mm ²	Ø 1,4 TO 2,0mm	LATÃO/BRASS	PRÉ ESTANHADO/PRE TIN
881590-2	TERMINAL 1.8 ECONOSEAL "J" SERIES MARKII TAB	0,5 TO 1,0mm ²	Ø 1,4 TO 2,0mm	BRONZE	PRÉ ESTANHADO/PRE TIN
881593-1	TERMINAL 1.8 ECONOSEAL "J" SERIES MARKII TAB	0,5 TO 1,0mm ²	Ø 1,4 TO 2,4mm	LATÃO/BRASS	PRÉ ESTANHADO/PRE TIN
881593-2	TERMINAL 1.8 ECONOSEAL "J" SERIES MARKII TAB	0,5 TO 1,0mm ²	Ø 1,4 TO 2,4mm	BRONZE	PRÉ ESTANHADO/PRE TIN
881594-1	TERMINAL 1.8 ECONOSEAL "J" SERIES MARKII TAB	1,0 TO 1,5mm ²	Ø 1,4 TO 2,4mm	LATÃO/BRASS	PRÉ ESTANHADO/PRE TIN
881594-2	TERMINAL 1.8 ECONOSEAL "J" SERIES MARKII TAB	1,0 TO 1,5mm ²	Ø 1,4 TO 2,4mm	BRONZE	PRÉ ESTANHADO/PRE TIN
PART NUMBER	DESCRIÇÃO DESCRIPTION	WIRE RANGE	INSULATION RANGE	MATERIAL	ACABAMENTO FINISH

1	2	DESCRIPTION	MATERIAL	ACABAMENTO FINISH
1	1	DOUBLE LOCK 3 POSN. ECONOSEAL "J" MARK II	PBT	AMARELO / YELLOW
1	1	PLUG HSG, 3 POSN. ECONOSEAL "J" MARK II	PBT	PRETO / BLACK
REQ. PER ASSY	ITEM NO	DESCRIPTION	MATERIAL	ACABAMENTO FINISH
-1				
881774				

THIS DRAWING IS A CONTROLLED DOCUMENT.		DWN	17MAY2011	NCLapresa	
DIMENSIONS: mm		CHK	20MAY2011	José R. Goldschmidt	
TOLERANCES UNLESS OTHERWISE SPECIFIED:		APVD	20MAY2011	Maurício Gisoldi	
0 PLC ± -		NAME			
1 PLC ± 0,3		KIT ECONOSEAL "J" 3POSN.			
2 PLC ± -		PRODUCT SPEC			
3 PLC ± -		APPLICATION SPEC			
4 PLC ± -		SIZE			
ANGLES ± 1°		CAGE CODE			
FINISH		DRAWING NO			
MATERIAL		WEIGHT			
VER TABELA		A2 00779			
		DRAWING NO			
		C=881774			
		RESTRICTED TO			
		CUSTOMER DRAWING			
		SCALE		SHEET	
		2:1		1 of 1	
				REV	
				A1	

CAD
 DO NOT REVISE
 EXCEPT BY CAD

881774

A