
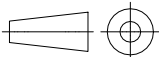


REVISIONS 変更				
P	LTR	DESCRIPTION	DATE	APVD
	D4	REACTIVATION OF PN 1-917360-8	28FEB24	GVP SP

名称 NAME	トレイケース 型番 TRAY P/N	数量 (ケ) QTY'S	コネクタ型番 (バラ状) CONNECTOR P/N (L/P)	極数 Pos	トレイケース詰 コネクタ型番 IN TRAY P/N	
1.25 A-F CONN.REC ASSEMBLY	BLISTER TRAY 8-912060-1	108	3-917236-0	30	3-917360-0	
		132	2-917236-6	26	2-917360-6	
		144	2-917236-2	22	2-917360-2	
		156	2-917236-0	20	2-917360-0	
		168	1-917236-8	18	1-917360-8	
		192	1-917236-6	16	1-917360-6	
		204	1-917236-4	14	1-917360-4	
		216	1-917236-2	12	1-917360-2	
		264	1-917236-0	10	1-917360-0	
		288	0-917236-8	8	0-917360-8	
		336	0-917236-6	6	0-917360-6	

 OBSOLETE PARTS: OBSOLETE CIS STREAMLINING PER D.RENAUD/D.SINISI

TE Connectivity. All Rights Reserved. © 2023

DIMENSIONS: 単位: 耗 mm	DWN K.ASAKAWA 06DEC94	MATERIAL 材料	FINISH 仕上
	CHK S.KUBOUCHI 06DEC94	 TE Connectivity	
TOLERANCES UNLESS OTHERWISE SPECIFIED: 一般公差	APVD S.KUBOUCHI 06DEC94		
0 PLC ± 0.2 1 PLC ± 0.25 2 PLC ± 0.3 3 PLC ± - 4 PLC ± - ANGLES ± 3°	PRODUCT SPEC 製品規格	SIZE	CAGE CODE
	APPLICATION SPEC 取付適用規格	DRAWING NO 番号	RESTRICTED TO
	WEIGHT	A4 00779	917360
CUSTOMER DRAWING		SCALE 尺度	SHEET 1 OF 1 REV D4