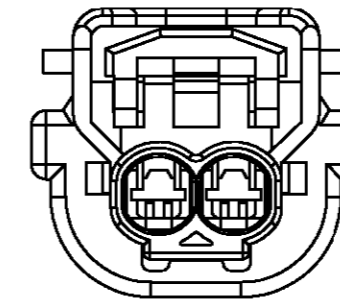
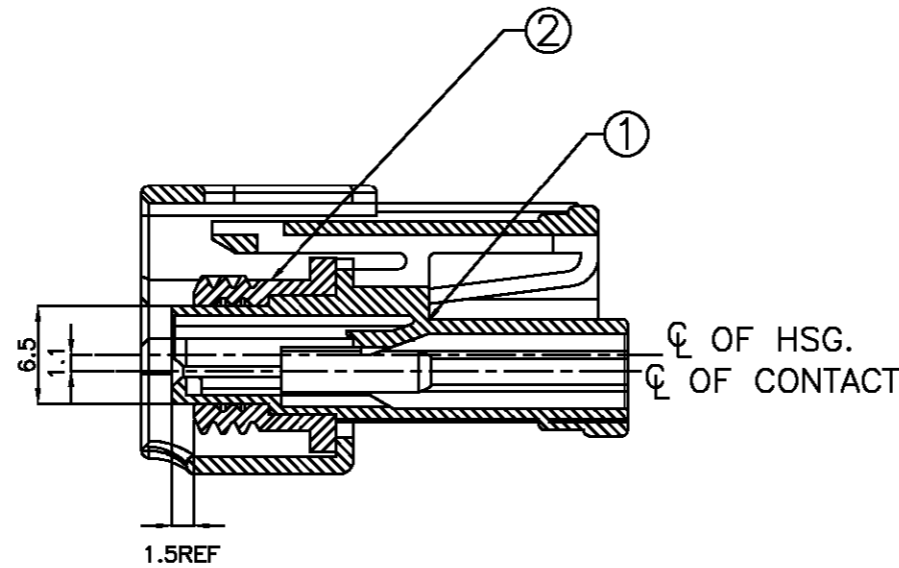
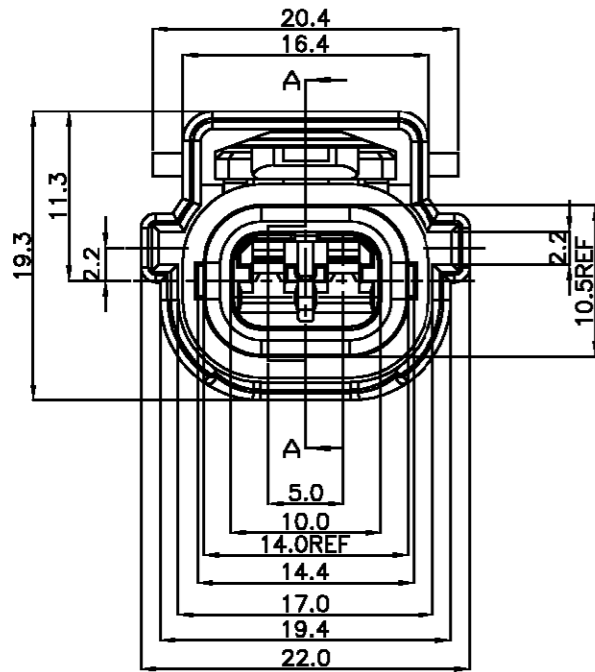
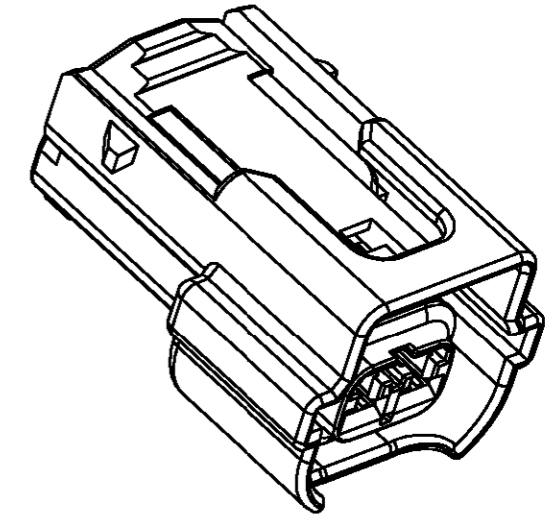
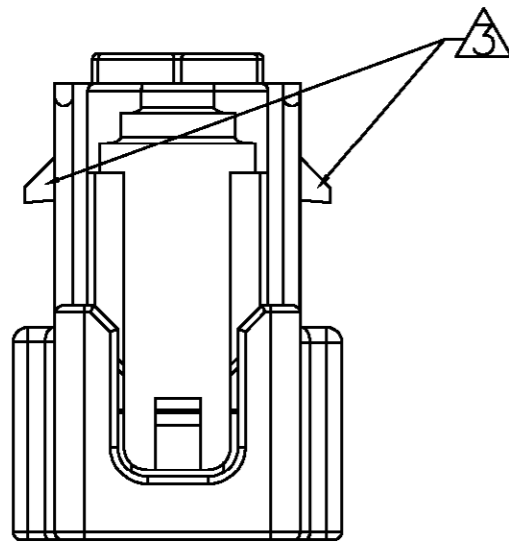


P	LTR	DESCRIPTION	DATE	DWN	APVD
0		RELEASED(FC00-0123-01)	07/NOV/'01	KTLIM	CSLEE



SECTION A-A

0-936139-1  
ASS'Y P/N REMARK

②	SEAL	368989-1	ORANGE	SILICON
①	HSG	926140-1	GRAY	PBT
	NAME	P/N	COLOR	MATERIAL

NOTES.

1. APPLIED CONTACT P/N ; 927770, 927766
2. APPLIED WIRE SEAL P/N; 828904, 828905, 368064
- ③ FOR CONNECTOR COVER ( P/N : 936216 )

-주기-

1. 적용 단자 P/N. ; 927770, 927766
2. 적용 WIRE SEAL P/N. ; 828904, 828905, 368064
- ③ CONNECTOR COVER 결함부 ( P/N : 936216 )

THIS DRAWING IS A CONTROLLED DOCUMENT FOR AMP INCORPORATED. IT IS SUBJECT TO CHANGE AND THE CONTROLLING ENGINEERING ORGANIZATION SHOULD BE CONTACTED FOR THE LATEST REVISION.

DIMENSIONS: MM		TOLERANCES UNLESS OTHERWISE SPECIFIED: ± 0.2		DWN KTLIM				AMP KOREA, kyungsan, korea	
3rd ANGLE PROJECTION		MATERIAL SEE TABLE		CHK JKSONG		NAME		JPT INJECTOR PLUG ASS'Y	
FINISH		WEIGHT		APVD CSLEE		SIZE A3		CAGE CODE 00779	
				PRODUCT SPEC		DRAWING NO		C- 936139	
				APPLICATION SPEC		SCALE 2/1		SHEET 1 OF 1	
				WEIGHT		REV 0			