

4

3

2

1

THIS DRAWING IS UNPUBLISHED.

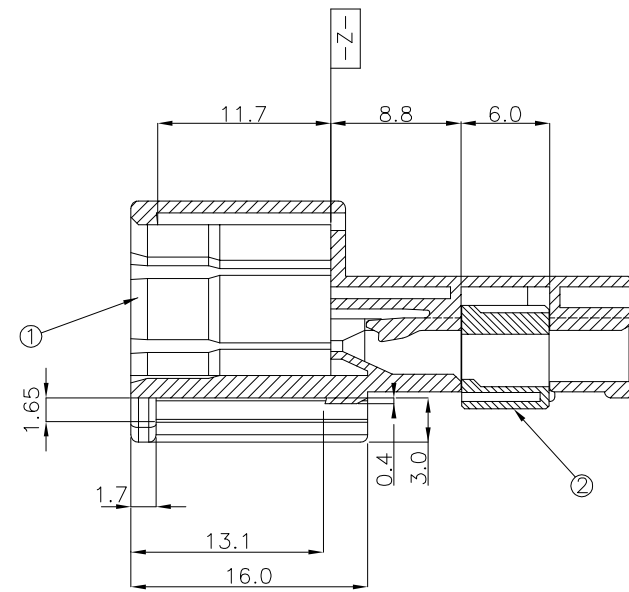
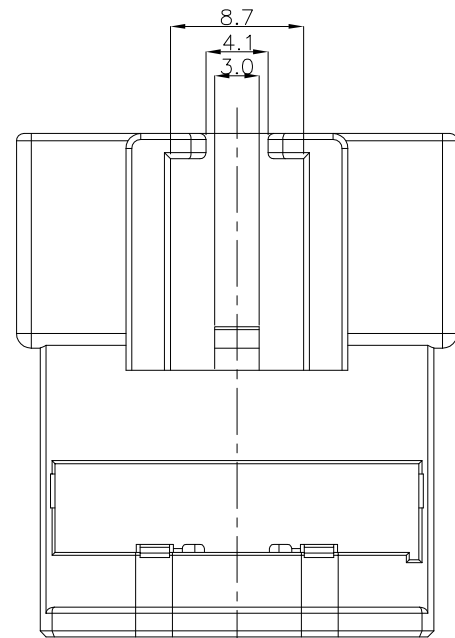
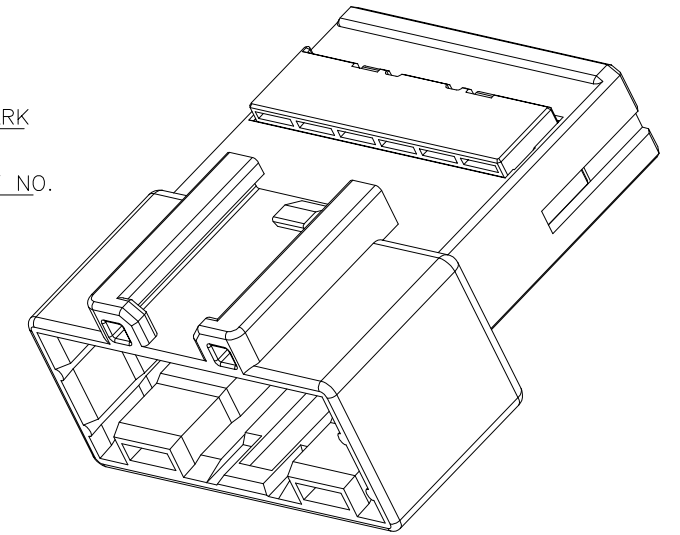
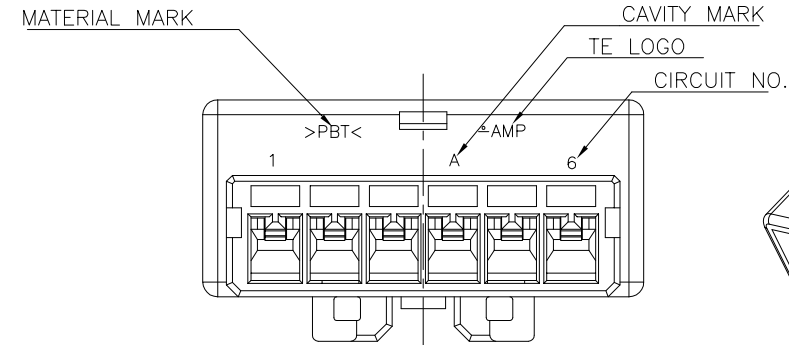
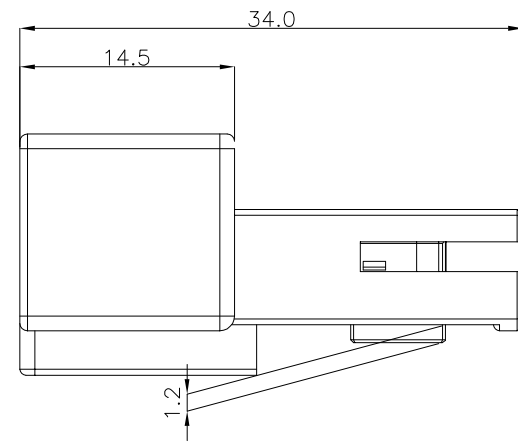
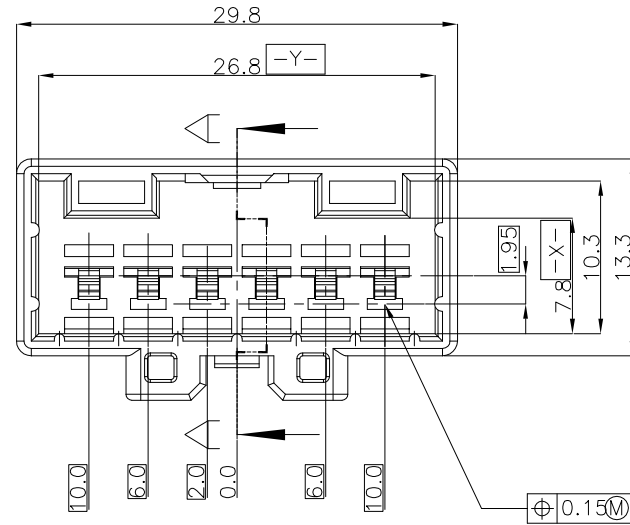
RELEASED FOR PUBLICATION

© COPYRIGHT

BY TYCO ELECTRONICS CORPORATION, ALL RIGHTS RESERVED.

REVISIONS

P	LTR	DESCRIPTION	DATE	DWN	APVD
	A	REVISED (FC00-0014-03)	28.JAN.'03	KTLIM	CS
	A1	REVISED (ECR-09-005035)	24.MAR.'09	KT	HG
	A2	REVISED (ECR-14-014192)	30.OCT.'14	JM	HG



SECTION A-A

NOTES.

- 1. THE MATING HSG. P/N ; 936230
- 2. APPLIED CONTACT P/N ; 090 II TAB. - 368086, 368087, 368088, 1897752

-주기-

- 1. 상대 하우징 P/N ; 936230
- 2. 적용단자 P/N. ; 090 II TAB.- 368086, 368087, 368088, 1897752

ASSY P/N
0-936240-8
0-936240-5
0-936240-4
0-936240-3
0-936240-2
0-936240-1

NO	COLOR	MATERIAL	DESCRIPTION	P/N	QTY
1	BLUE	PBT	CAP	0-936241-8	1
	YELLOW	PBT	CAP	0-936241-5	1
	BROWN	PBT	CAP	0-936241-4	1
	D/GRAY	PBT	CAP	0-936241-3	1
	BLACK	PBT	CAP	0-936241-2	1
	NATURAL	PBT	CAP	0-936241-1	1
2	NATURAL	PBT	DBL	0-936094-1	1 1 1 1 1 1

THIS DRAWING IS A CONTROLLED DOCUMENT FOR TYCO ELECTRONICS CORPORATION IT IS SUBJECT TO CHANGE AND THE CONTROLLING ENGINEERING ORGANIZATION SHOULD BE CONTACTED FOR THE LATEST REVISION.

DIMENSIONS: MM	TOLERANCES UNLESS OTHERWISE SPECIFIED: 0 <XX<10 ± 0.2 10<XX<30 ± 0.25 30<XX ± 0.3 ANGLES ± 3°
MATERIAL	FINISH
SEE TABLE	

DWN JM JEON
CHK JW JUNG
APVD HG CHD
PRODUCT SPEC -
APPLICATION SPEC -
WEIGHT -

TE TE Connectivity

NAME: 090III 6P CAP ASS'Y (1ROW)

SIZE: A3 CAGE CODE: 00779 DRAWING NO: 936240 RESTRICTED TO: -

CUSTOMER DRAWING SCALE: 2/1 SHEET 1 OF 1 REV: A2