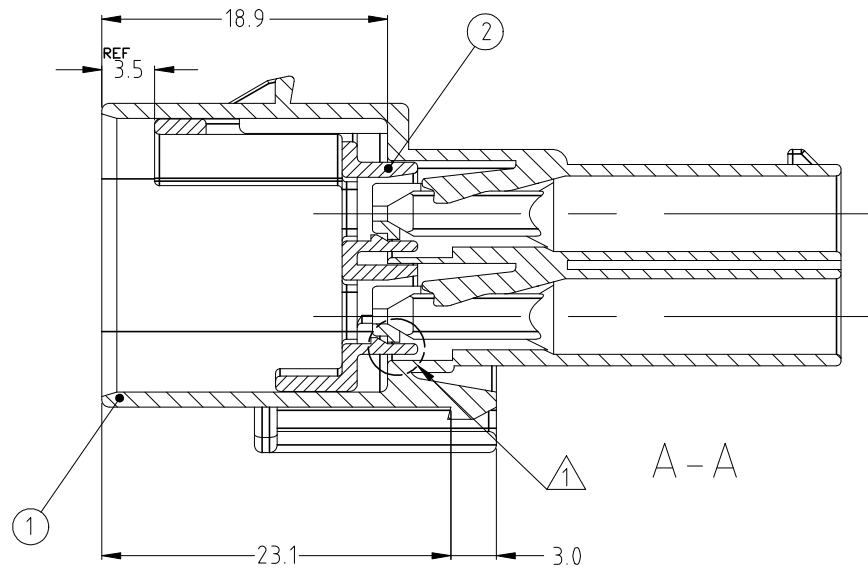
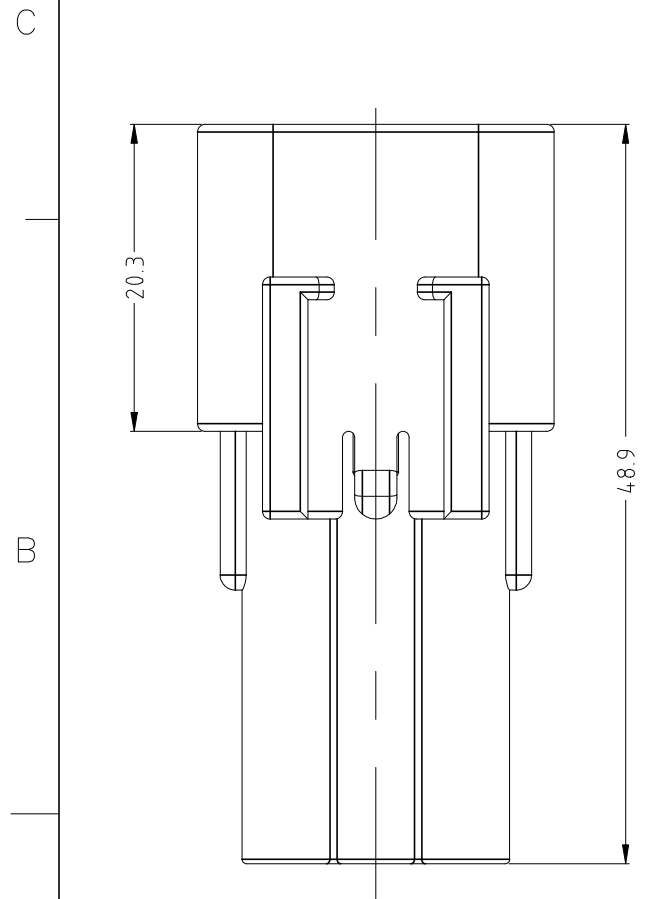
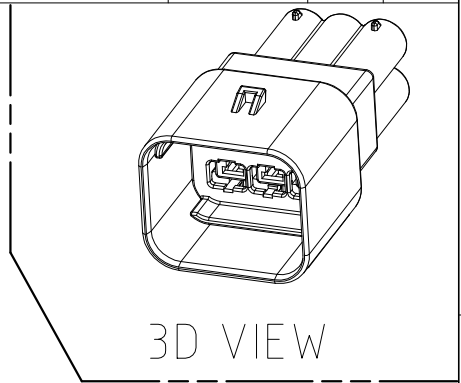
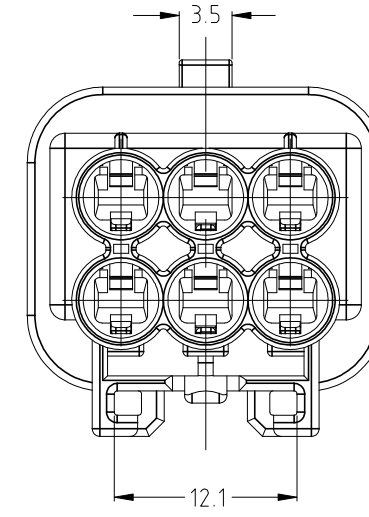
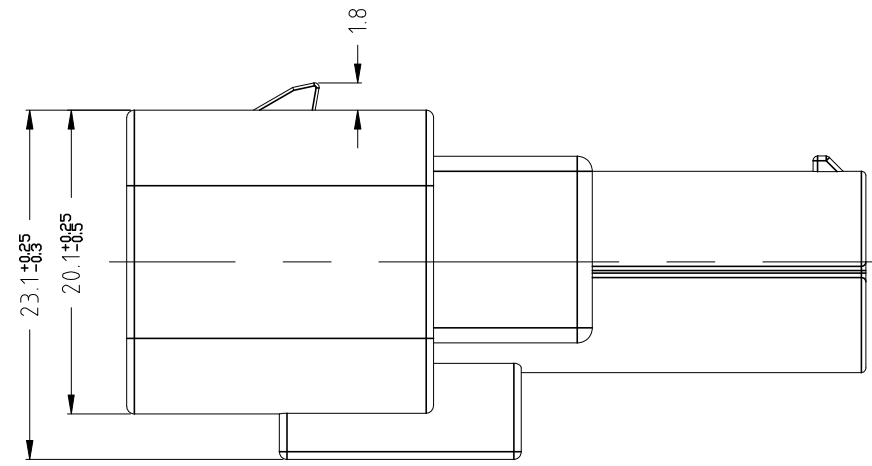
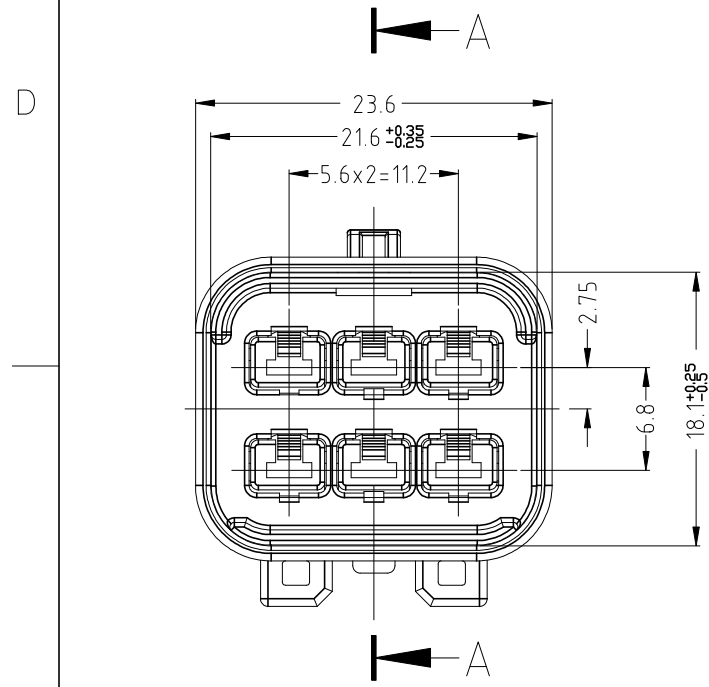


REVISIONS

P	LTR	DESCRIPTION	DATE	DWN	APVD
B2		REVISED (ECR-24-209411)	21MAY2024	DR	HG



NOTE:
 1. CONDITION OF DELIVERY : DBL PLATE IN OPEN POSITION.
 2. APPLIED TAB CONTACT P/N:

CONTACT	MCP-E TERMINAL	
Part NO.	936612-1	936613-1
WIRE SIZE(mm ²)	1.0~2.0 SQ	0.5~1.0SQ

 3. APPLIED FEMALE CONNECTOR P/N : 936257-2
 4. APPLIED COVER HSG P/N : 936759-2

NO	FINISH/COLOR	MATERIAL	DESCRIPTION	Q'TY	DESCRIPTION	ASS'Y P/N
2	WHITE	PBT GF10	CAP DBL HOUSING FOR MCP-E 6P	1	CAP ASS'Y	0-936294-3
1	GRAY	PBT	MCP-E SEALED 6P CAP HOUSING	1	CAP ASS'Y	0-936294-2
	BLACK	PBT	MCP-E SEALED 6P CAP HOUSING	• 1		

THIS DRAWING IS A CONTROLLED DOCUMENT.

DWN DR GOO
 CHK YM CHOI
 APVD HG CHO
 PRODUCT SPEC
 APPLICATION SPEC
 WEIGHT -

TE TE Connectivity

NAME MCP-E SEALED 6P CAP ASS'Y

SIZE A3 CAGE CODE 00779 DRAWING NO. 936294 RESTRICTED TO -

CUSTOMER DRAWING SCALE 2:1 SHEET 1 of 1 REV B2

DIMENSIONS:	TOLERANCES UNLESS OTHERWISE SPECIFIED:
mm	0-XX<10 ±0.2
	10,XX<30 ±0.25
	30-XX ±0.3
	ANGLES ±3°
	± -