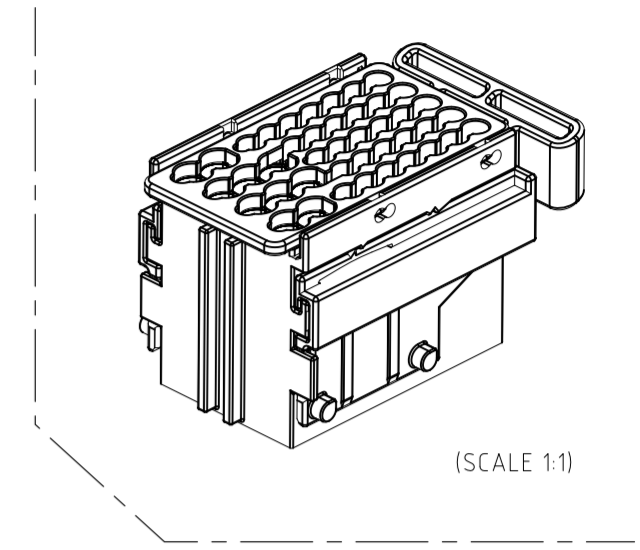
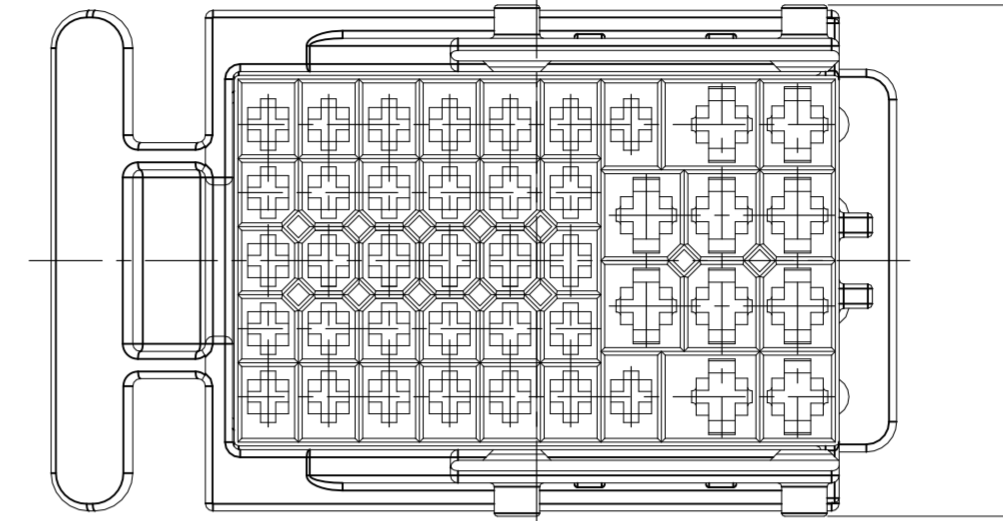
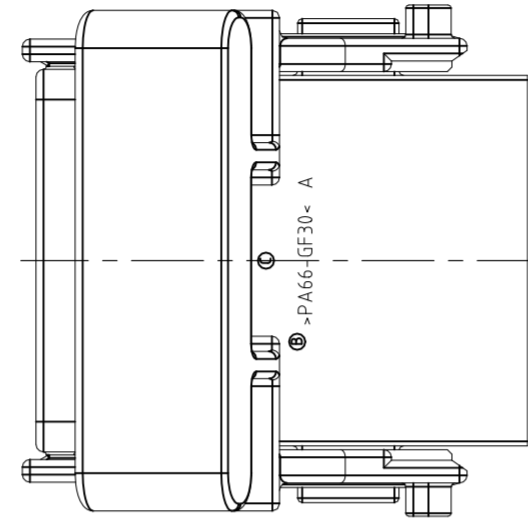
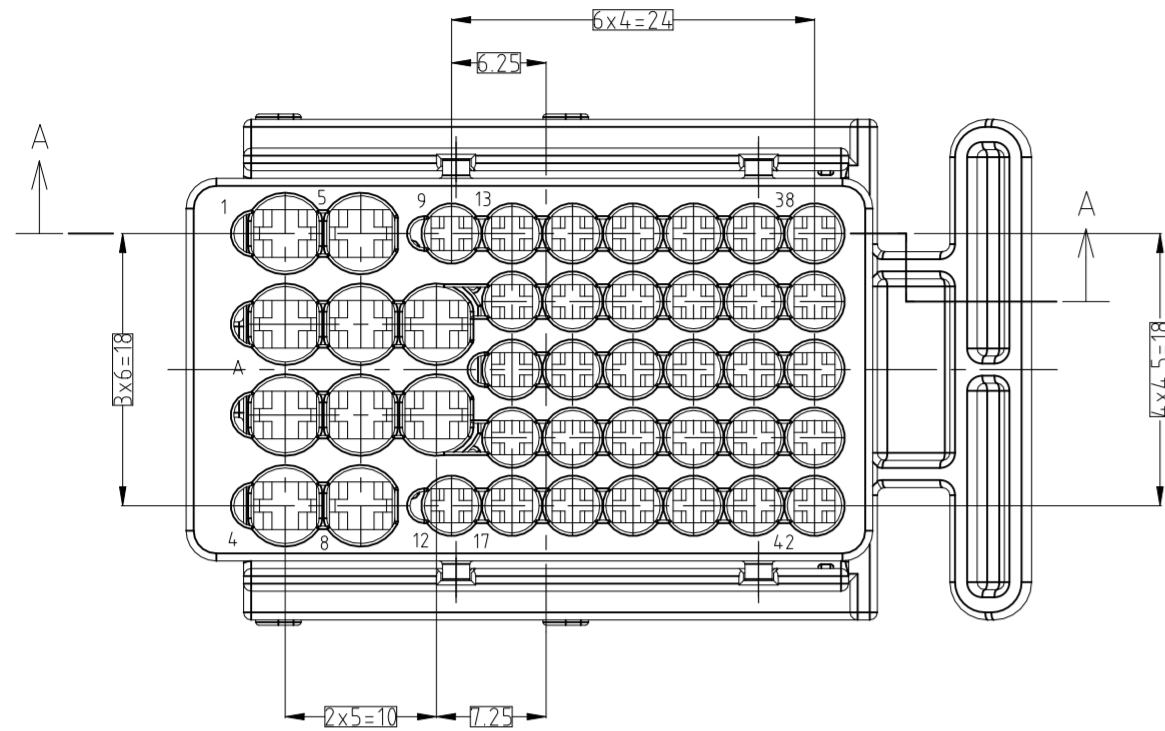


P	LTR	DESCRIPTION	DATE	DWN	APVD
B		REVISED(FC00-0189-04)	18/AUG/'04	YD.	CS
C		REVISED(FC00-0044-05)	14/FEB/'05	SB	CS
C1		REVISED PER ECR-23-177343	22MAY2023	RK	JT



NOTES:

- GENERAL TOLERANCE IS ±0.3
- CONDITION OF DELIVERY :  
DBL IN 1ST. LOCKING POSITION  
SLIDE LEVER IN 2ND. LOCKING POSITION
- APPLIED CAP ASS'Y P/N: 0-936429-2,-4, 1-936429-2, 2-936429-3  
APPLIED INNER SEAL P/N: 0-936863-1  
APPLIED WIRE COVER P/N: 0-936615-2
- APPLIED RECEPTACLE CONTACT P/N : TABLE 1

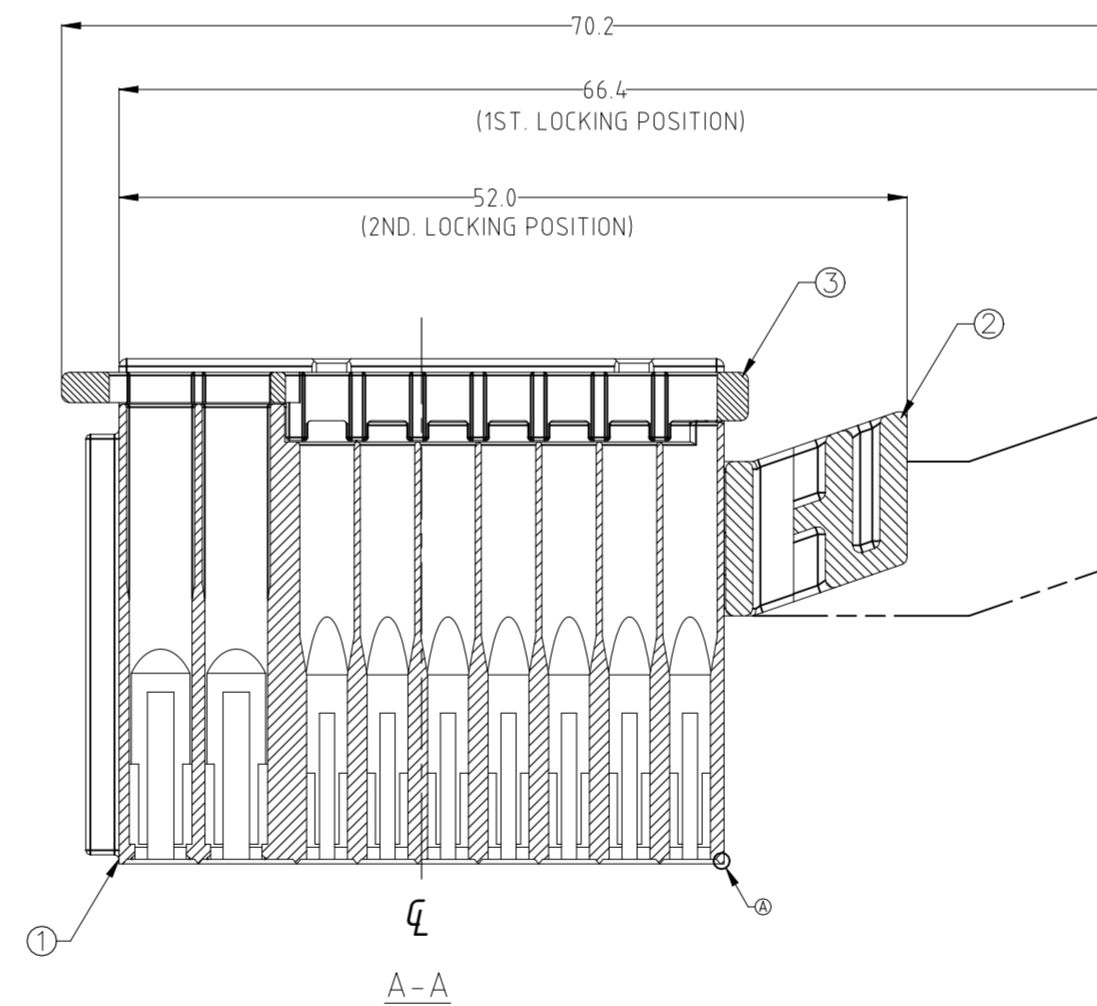
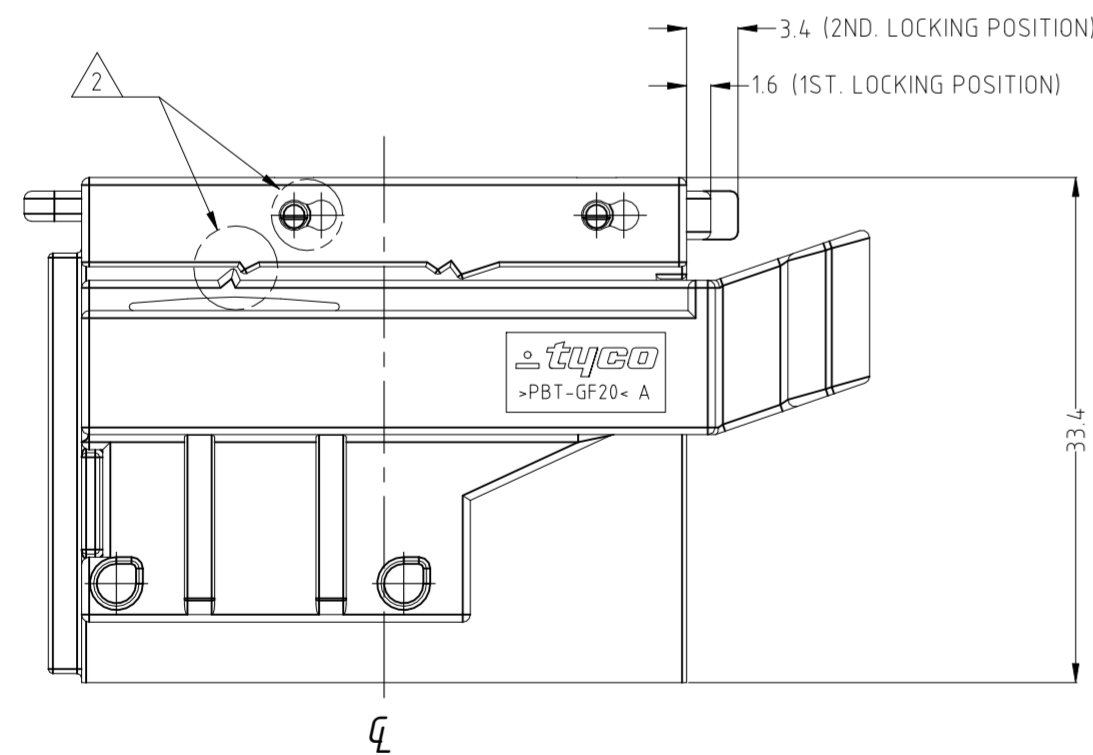


TABLE 1

TYPE	Part NO.	WIRE SIZE(mm <sup>2</sup> )	FINISH
MT II	0-962875-1	0.25-0.5	CuSn4
	0-962875-3		CuSn4(GOLD)
	0-962876-1	0.5-1.0	CuSn4
	0-962876-3		CuSn4(GOLD)
JPT	0-927770-3	0.5-0.85	CuSn4
	2-927770-1		CuSn4(GOLD)
	0-927766-3	1.25-2.0	CuSn4
	2-927766-1		CuSn4(GOLD)

TOLERANCES UNLESS OTHERWISE SPECIFIED:

0-XX-10	± 0.2
10-XX-30	± 0.25
30-XX	± 0.3
ANGLES	± 3°

NO	P/N	DESCRIPTION	MATERIAL	COLOR	Q'TY
③	0-936428-5	DBL HSG	PBT GF30	YELLOW	1 1 1
②	0-936423-4	SLIDE HSG	PBT GF20	BROWN	1 - -
②	0-936423-3	SLIDE HSG	PBT GF20	DARK GRAY	- 1 -
②	0-936423-2	SLIDE HSG	PBT GF20	BLACK	- - 1
①	0-936422-4	PLUG HSG	PA66 GF30	BROWN	1 - -
①	0-936422-3	PLUG HSG	PA66 GF30	DARK GRAY	- 1 -
①	0-936422-2	PLUG HSG	PA66 GF30	BLACK	- - 1

THIS DRAWING IS A CONTROLLED DOCUMENT.

DIMENSIONS:	TOLERANCES UNLESS OTHERWISE SPECIFIED:	DWN	SB. LEE
mm	0 PLC ± -	CHK	BM. JANG
	1 PLC ± -	APVD	CS. LEE
	2 PLC ± -	PRODUCT SPEC	
	3 PLC ± -	APPLICATION SPEC	
	4 PLC ± -		
MATERIAL	FINISH	WEIGHT	
SEE TABLE	-		

TE Connectivity

PLUG ASSEMBLY FOR MTII/JPT HYBRID SEALED 42P CONN'R

SIZE	CAGE CODE	DRAWING NO	RESTRICTED TO
A2	00779	C=936421	-

CUSTOMER DRAWING SCALE 1:1 SHEET 1 OF 1 REV C1