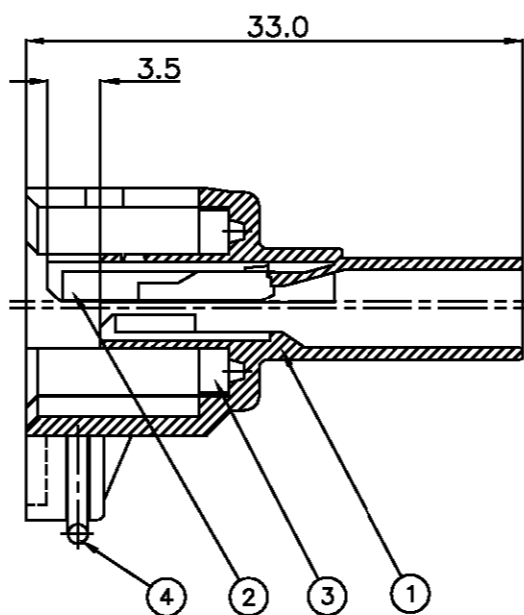
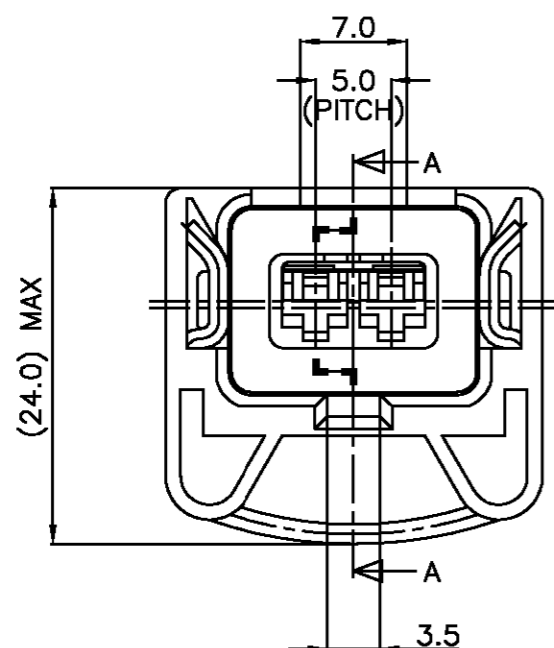


LOC DS

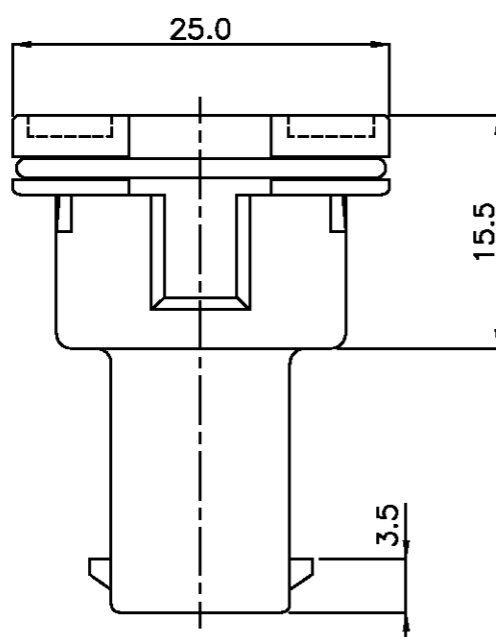
DIST

REVISIONS

P	LTR	DESCRIPTION	DATE	DWN	APVD
	0	RELEASED (FC00-0044-03)	'03 1/APR	YD	CS



SECTION A-A



ITEM	P.NO	AWS(mm ²)	WIRE INSULATION DIA (mm)
CONTACT	927772	0.2-0.5	N.A
	927770	0.5-1.0	
	927766	1.0-2.5	
WIRE SEAL	828904	N.A	1.2-2.1
	828905		2.2-3.0

* NOTES *

- MATCHING CONTACT & WIRE SEAL P.NO : 927772 & 927770 = 828904
927766 = 828905
- APPLICABLE COVER HSG P/NO: 936458-2

DESCRIPTION	P/NO
JPT 2P ASS'Y FOR LPI INJECTOR	936567-2

NO	P/NO	DESCRIPTION	MATERIAL	COLOR	Q'TY
4	85387-1	SPRING	SUS 304		1
3	85383-1	SEAL RUBBER	SILICONE	ORANGE	1
2	85204-1	SPACER	PBT	YELLOW	1
1	936566-2	JPT 2P HSG FOR LPI INJECTOR	PBT 30% GF	BLACK	1

THIS DRAWING IS A CONTROLLED DOCUMENT FOR AMP INCORPORATED. IT IS SUBJECT TO CHANGE AND THE CONTROLLING ENGINEERING ORGANIZATION SHOULD BE CONTACTED FOR THE LATEST REVISION.		DWN Y.D.LEE	 AMP KOREA. kyungsan, korea		
DIMENSIONS: MM		CHK B.M.JANG			
TOLERANCES UNLESS OTHERWISE SPECIFIED: 0<XX<10 ± 0.2 10<XX<30 ± 0.25 30<XX<100 ± 0.3 ANGLES ± 3°		APVD C.S.LEE	NAME		
3rd ANGLE PROJECTION		PRODUCT SPEC	JPT 2P ASS'Y FOR LPI INJECTOR		
MATERIAL		APPLICATION SPEC	SIZE	CAGE CODE	DRAWING NO
FINISH		WEIGHT	A3	00779	©= 9 3 6 5 6 7
			SCALE	SHEET	OF
			2/1	1	1
				REV	0