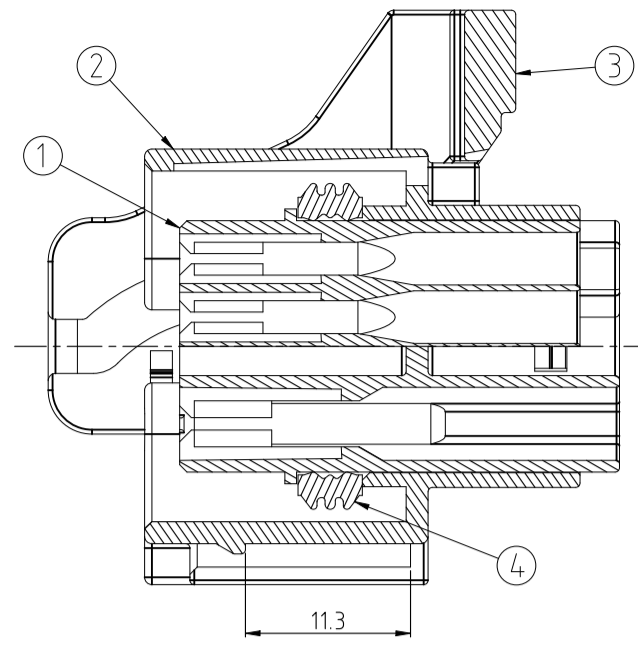
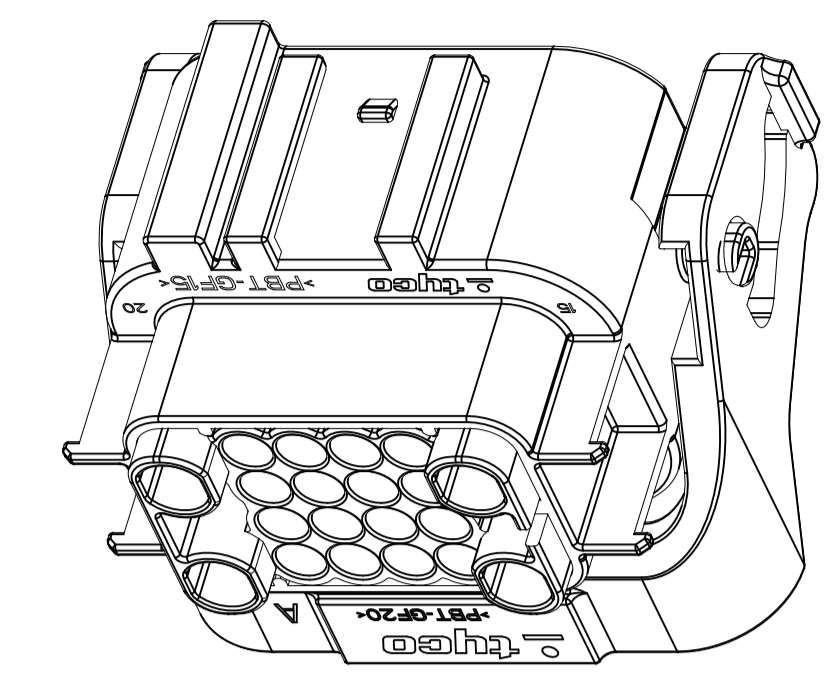
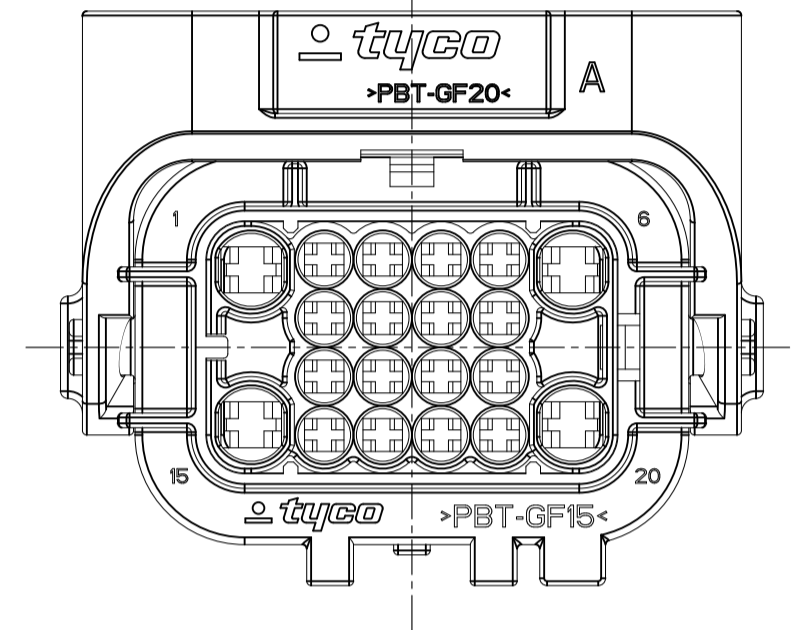
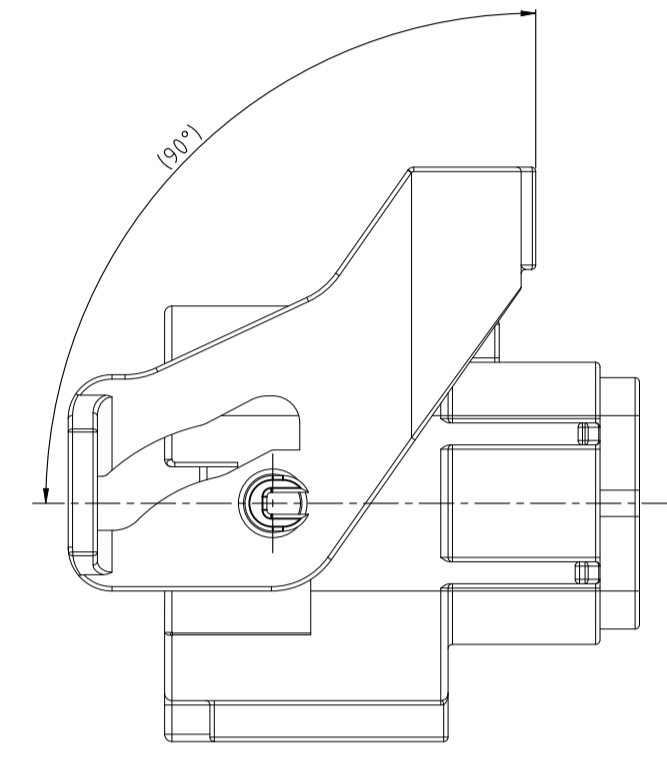
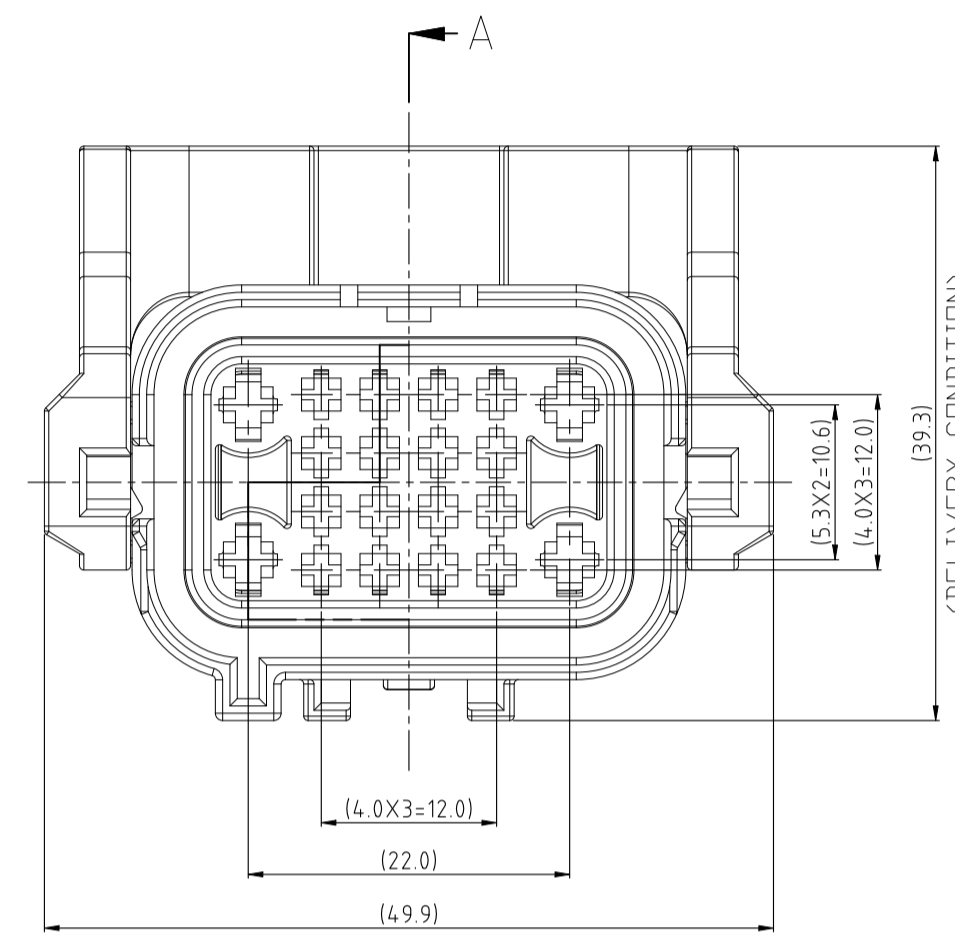
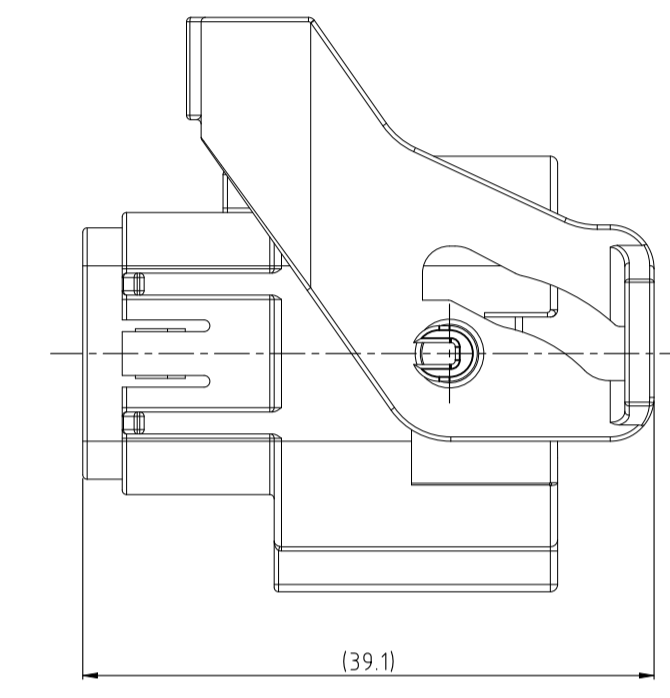
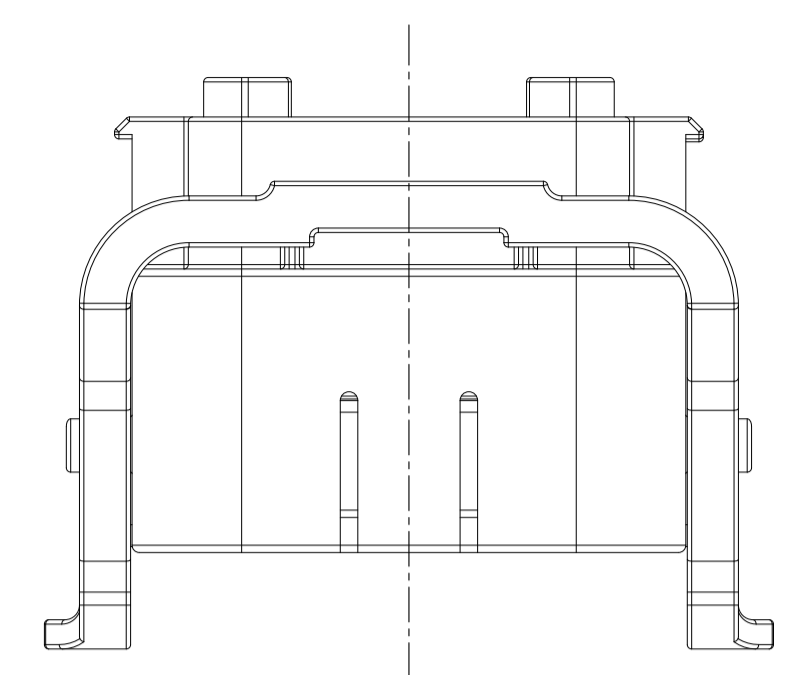


THIS DRAWING IS UNPUBLISHED. RELEASED FOR PUBLICATION  
 © COPYRIGHT - TE Connectivity Ltd. ALL RIGHTS RESERVED.

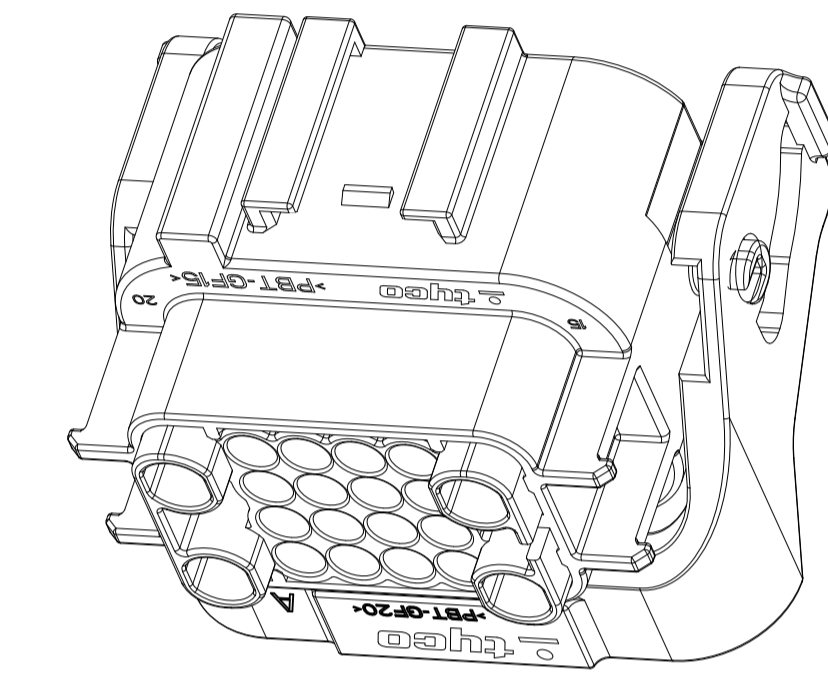
REVISIONS					
REV	CH	DESCRIPTION	DATE	BY	APPD
F		REVISED (ECR-23-168248)	0.35.2023	CH	KT



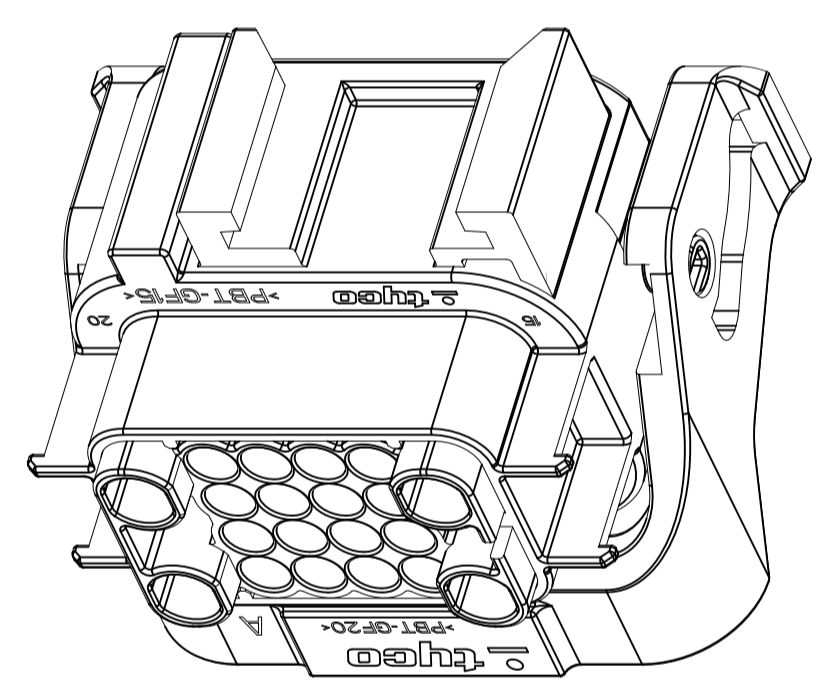
SECTION A-A



TYPE A  
0-936777-2

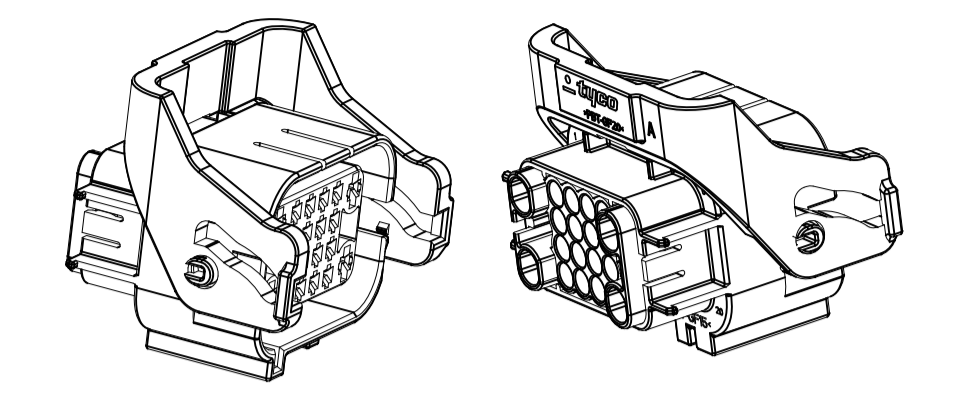


TYPE C (REVERSE CLIP MOUNTING TYPE)  
② 2-936777-2

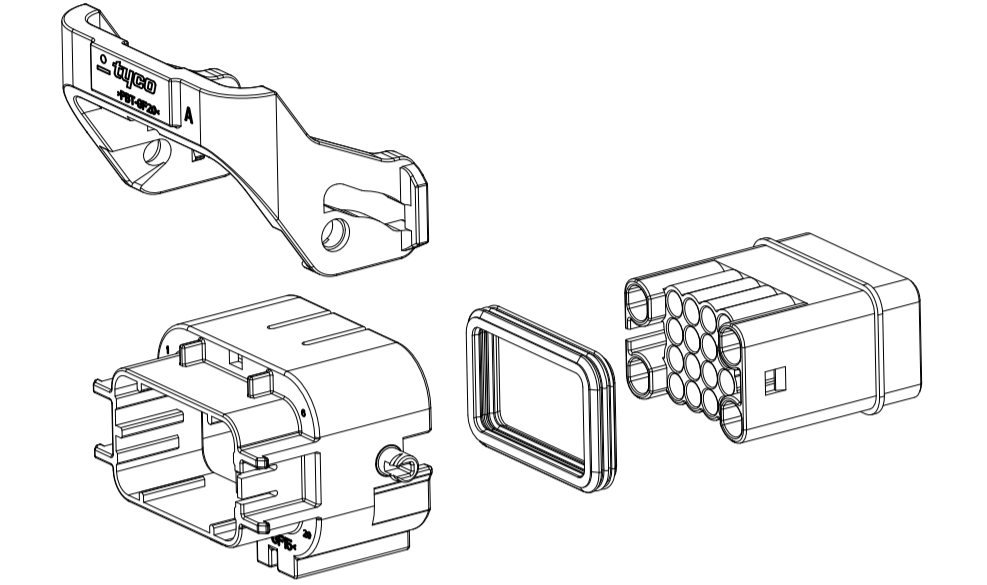


TYPE B (DELPHI CLIP MOUNTING TYPE)  
1-936777-2

3D-VIEW

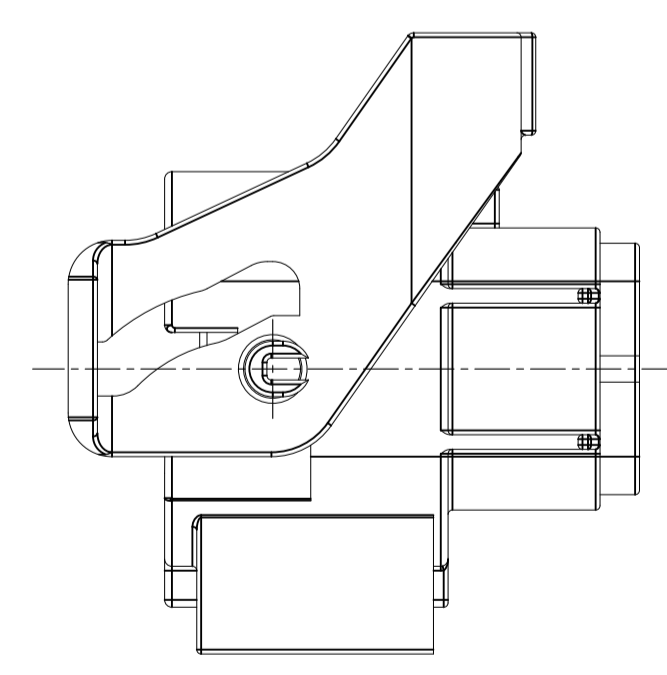
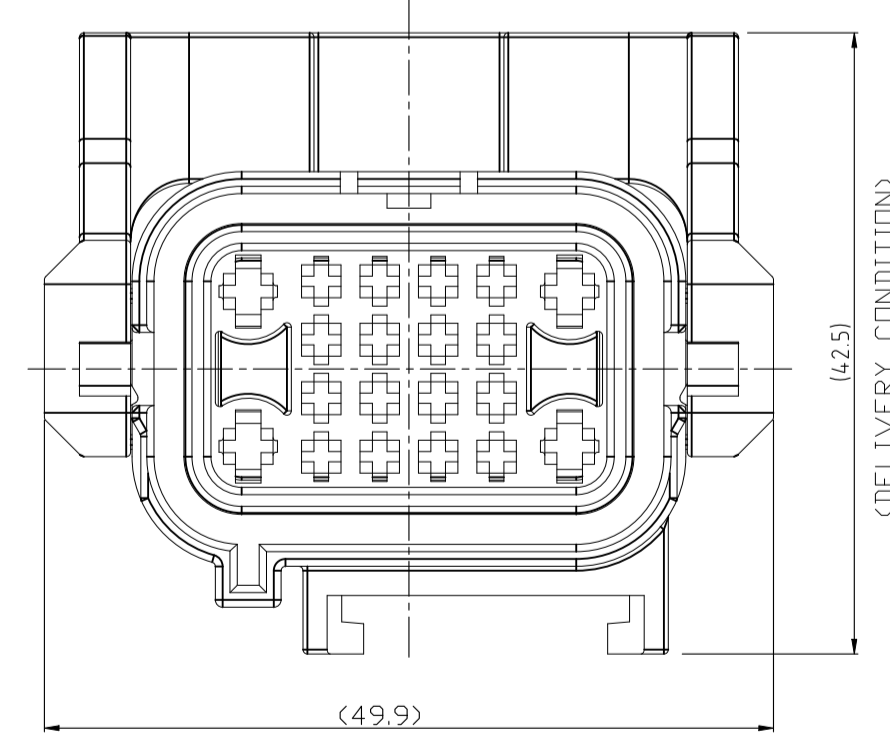
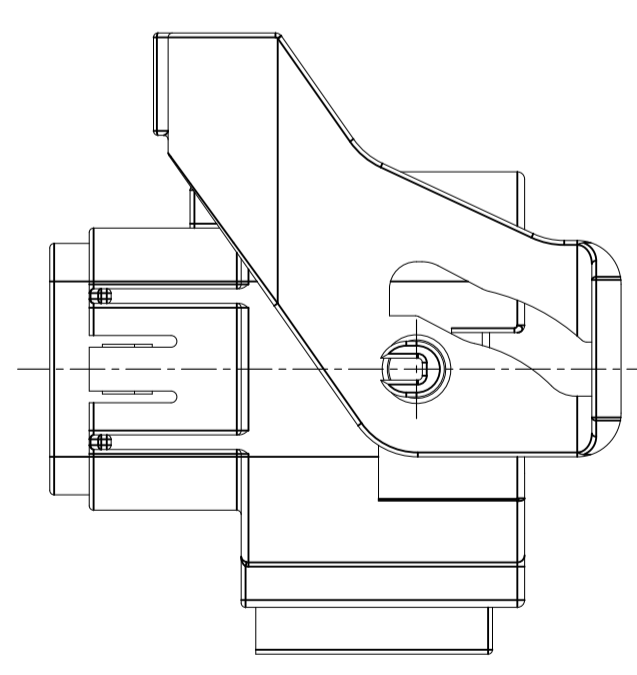
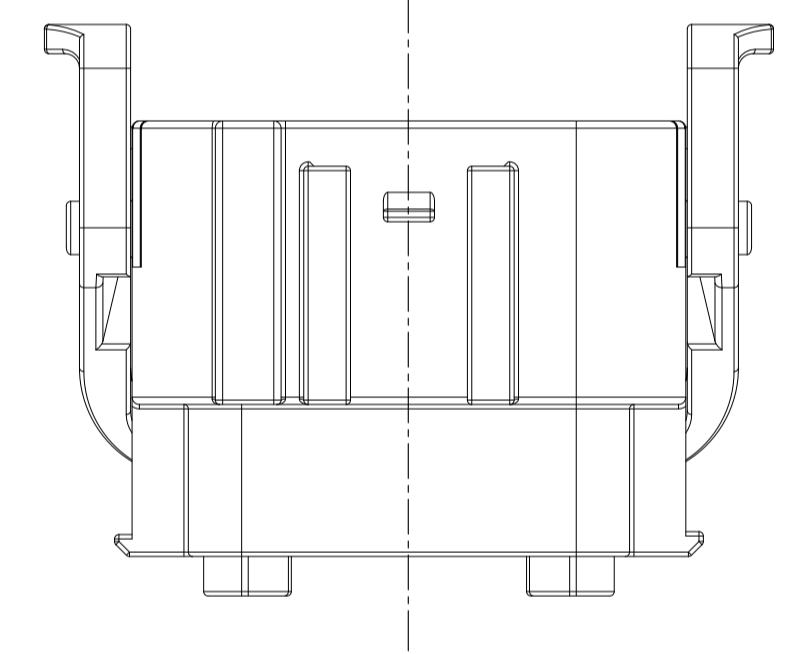


3D-VIEW  
SCALE 1:1

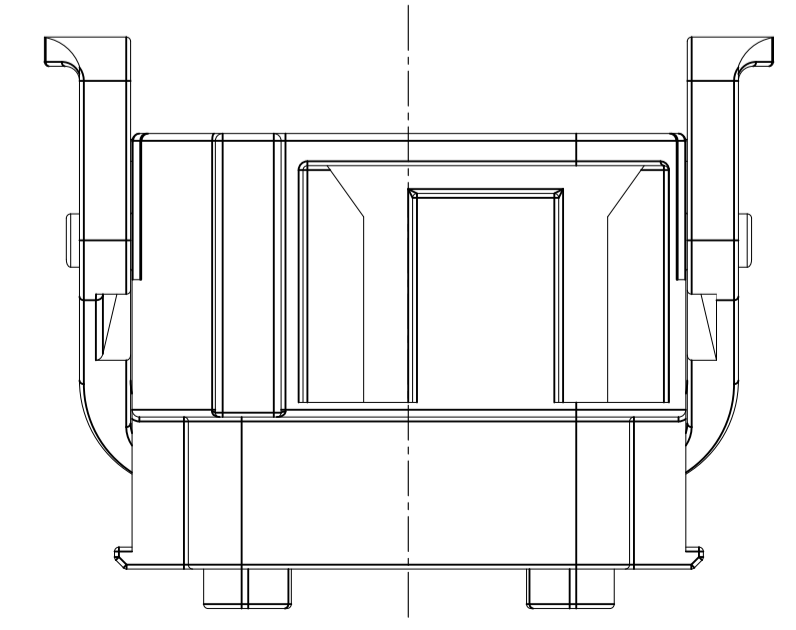


3D-EXPLODE VIEW  
SCALE 1:1

TYPE A, C  
0/2-936777-2



TYPE B  
1-936777-2



<TABLE 1>

TYPE	Part NO.	WIRE SIZE(mm <sup>2</sup> )	FINISH
MT II	0-962875-1	0.25-0.5	CuSn4
	0-962875-3		CuSn4(GOLD)
	0-962876-1	0.5-1.0	CuSn4
	0-962876-3		CuSn4(GOLD)
JPT	0-927770-3	0.5-0.85	CuSn4
	2-927770-1		CuSn4(GOLD)
	0-927766-3	1.25-2.0	CuSn4
	2-927766-1		CuSn4(GOLD)

- NOTE
- GENERAL TOLERANCE IS DECIMALS ±0.3, ANGLES ±3°
  - CONDITION OF DELIVERY
  - APPLIED CAP ASS'Y P/N: X-936780-X  
APPLIED WIRE COVER P/N: X-936782-X
  - APPLIED RECEPTACLE CONTACT P/N: TABLE 1

NO.	COLOR	MATERIAL	DESCRIPTION	Q'TY
④	-	SILICONE	INNER SEAL	1
③	GRAY(RAL 7004)	PBT-GF20	LEVER HSG	1
②	BLACK(RAL 9011)	PBT-GF15	MAIN BODY PLUG HSG (TYPE C)	1
②	BLACK(RAL 9011)	PBT-GF15	MAIN BODY PLUG HSG (TYPE B)	1
②	BLACK(RAL 9011)	PBT-GF15	MAIN BODY PLUG HSG (TYPE A)	1
①	BLACK(RAL 9011)	PBT-GF15	FRONT PLUG HSG	1

THIS DRAWING IS A CONTROLLED DOCUMENT. DIM: SY SONG, CHK: DG JEONG, APVD: YJ YOUN, PRODUCT SPEC: -

TE Connectivity Ltd. PLUG ASS'Y FOR MTII/JPT 20P

SIZE: A1, CAGE CODE: 00779, DRAWING NO: 936777

CUSTOMER DRAWING, SCALE: 2:1, SHEET: 1 of 1, REV: F