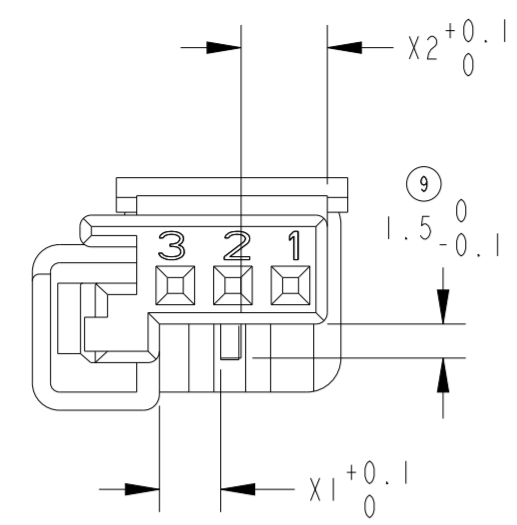


THIS DRAWING IS UNPUBLISHED. / RELEASED FOR PUBLICATION / 2006
 DIFFUSION RESTREINTE / LIBRE A LA DIFFUSION
 © COPYRIGHT 2006 BY - / ALL RIGHTS RESERVED. / TOUS DROITS RESERVES

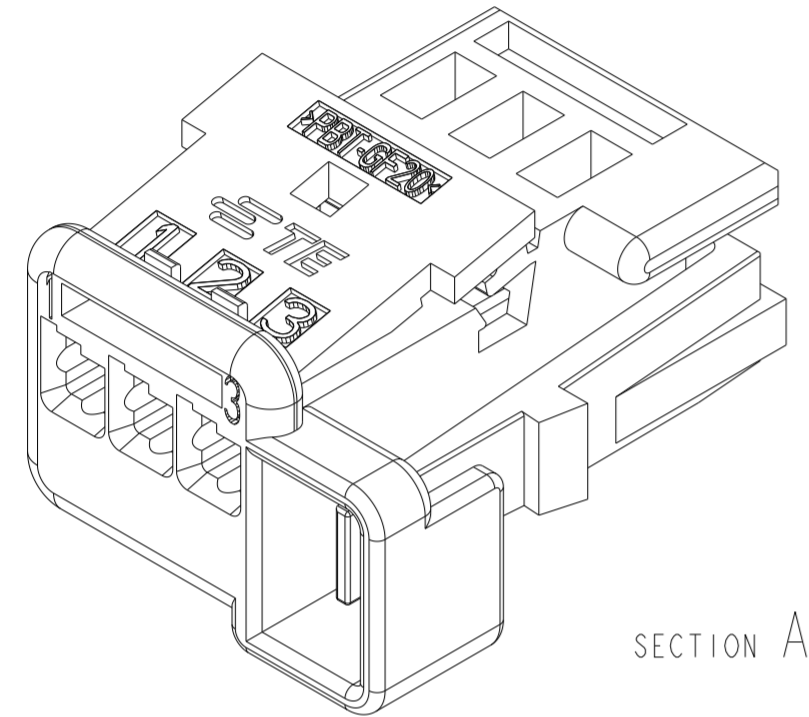
LOC		DIST		REVISIONS			
P	LTR	DESCRIPTION MODIFICATIONS		DATE	DWN DESS.	APVD APP.	
	BI	REVISED PER ECO-11-005150		28MAR2011	RK	HMR	
	C	NEW PART NUMBER I-953697-1 ADDED		08APR2013	EC	XR	
	D	OBSOLETE PN : I-953697-1		02SEP22	SE		

KEYING TABLE (table de detrompage)

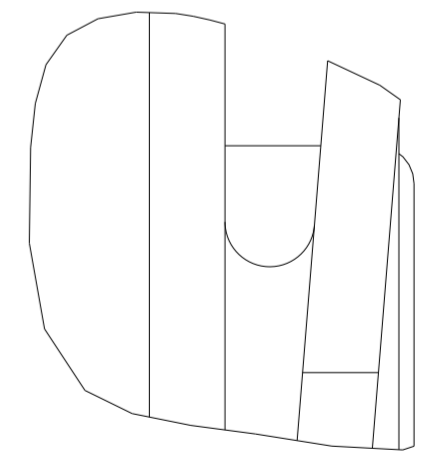
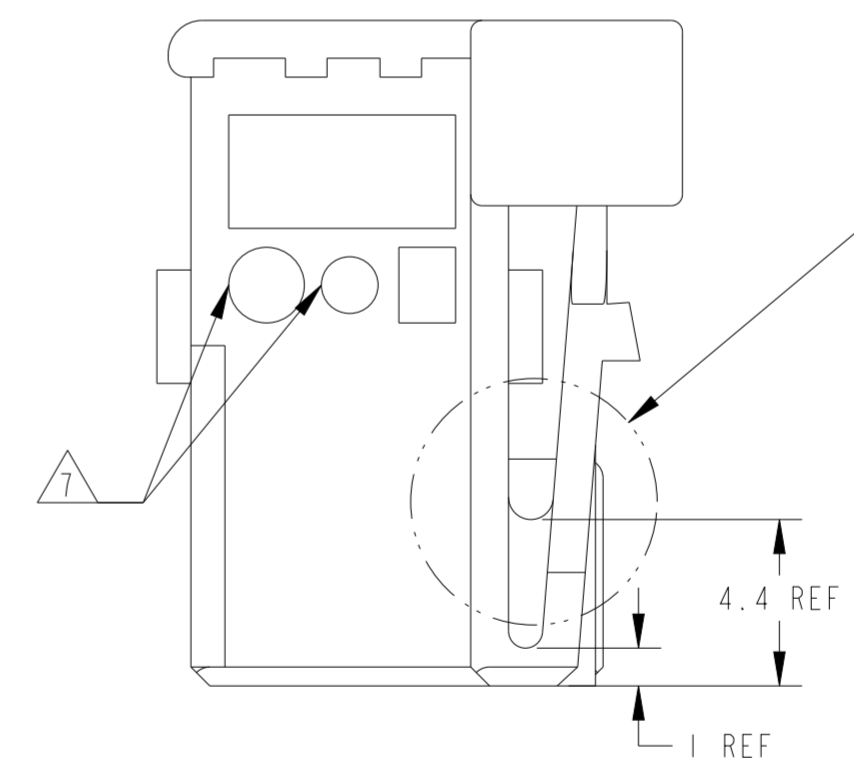
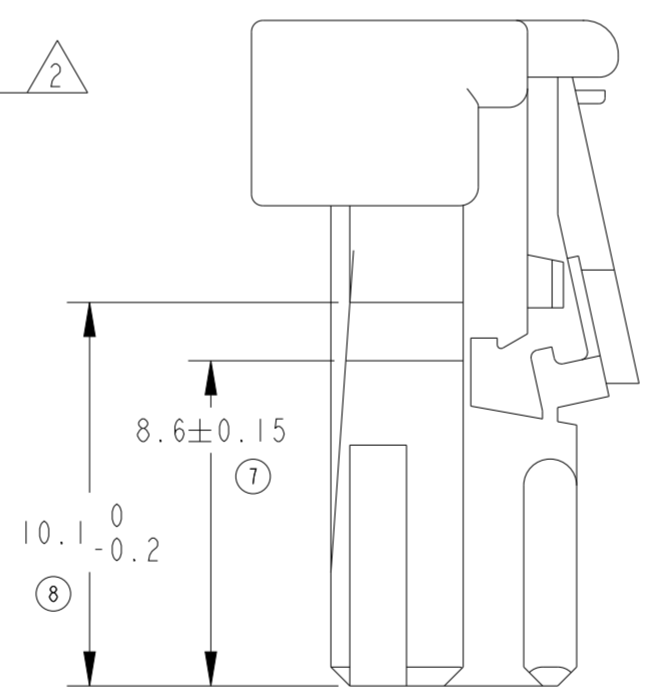
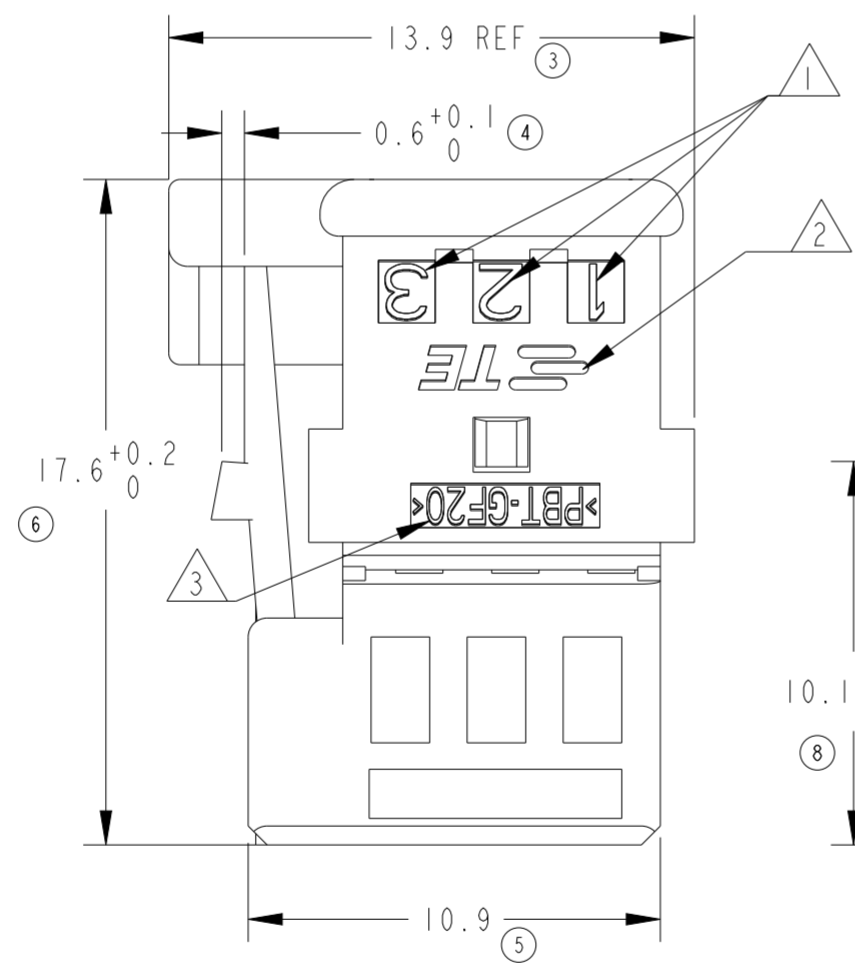
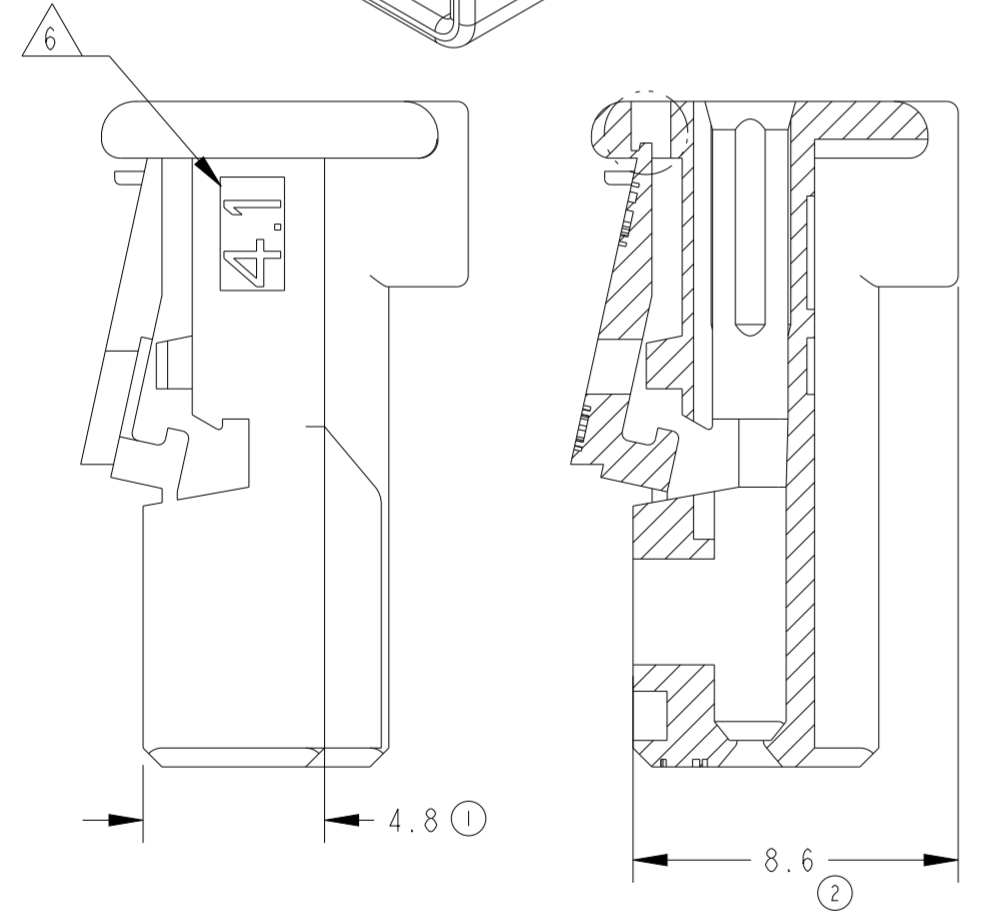
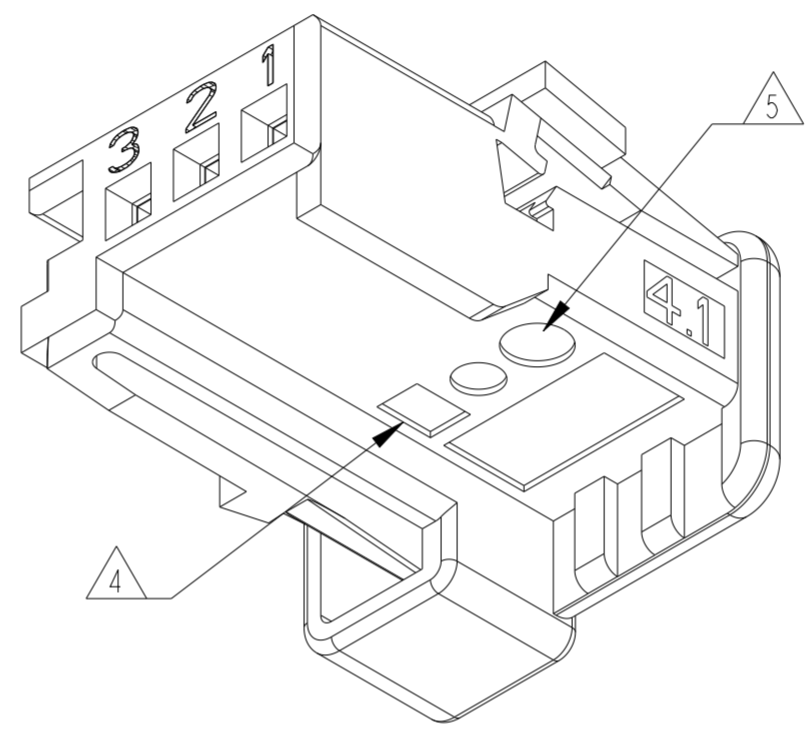
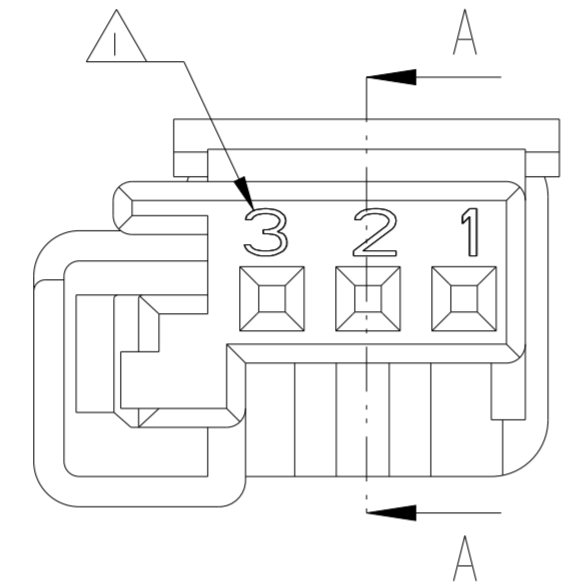
COLOR / couleur	X1	X2	PART NO
BLACK / noir	6.5 (10)	0 (11)	OBSOLETE I-953697-1 953697-1
WHITE / blanc	5.2 (12)	1.3 (13)	953697-2
BLUE / bleu	4 (14)	2.5 (15)	953697-3
YELLOW / jaune	2.7 (16)	3.8 (17)	953697-4
GREY / gris	1.5 (18)	5 (19)	953697-5
BROWN / marron	0 (20)	6.3 (21)	953697-6



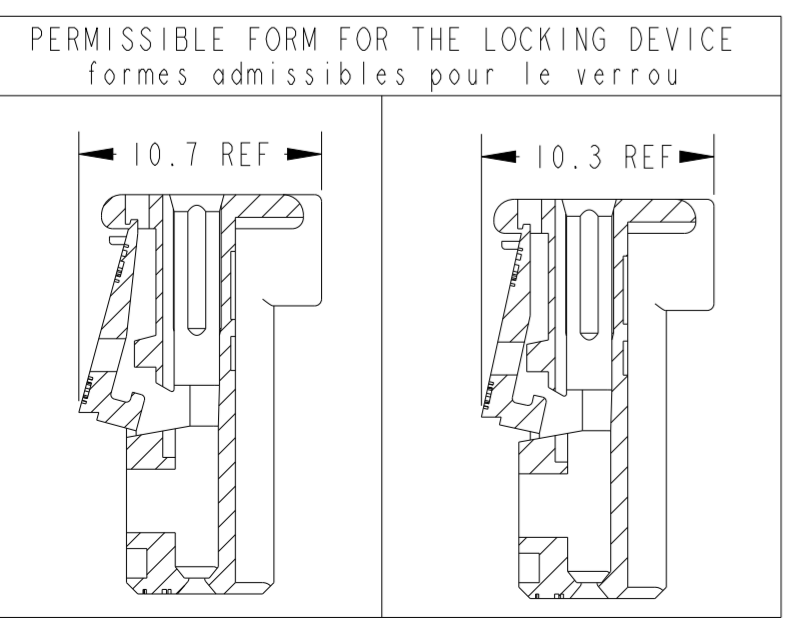
- 1 CAVITY MARKING / reperes alveoles
- 2 AMP STAMP OR TE CONNECTIVITY STAMP (following mold) / logo AMP ou logo TE CONNECTIVITY (suivant moule)
- 3 MATERIAL IDENTIFICATION / marquage matiere
- 4 MOLD REVISION NUMBER (optional) / indice de revision moule (optionnel)
- 5 MOLD IDENTIFICATION / identification moule
- 6 MOLD CAVITY IDENTIFICATION NUMBER / numero d'empreinte moule
- 7 EXCHANGEABLE MANUFACTURING DATE / date de fabrication exchangeable



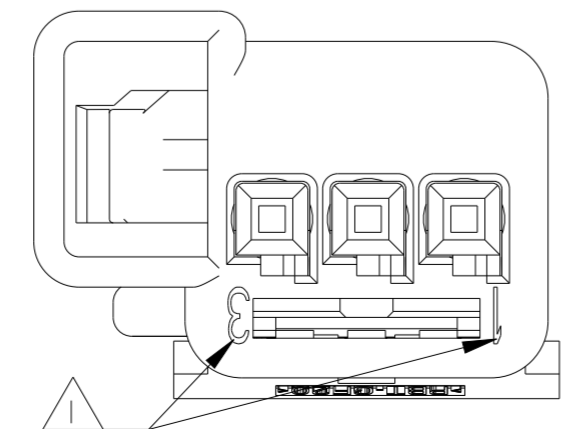
SECTION A - A



DETAIL X
SCALE 10:1



SECTION A - A
SCALE 3:1



THIS DRAWING IS A CONTROLLED DOCUMENT.		DWN/DESSINE 22MAR2006 M. POLIFONTE	TE Connectivity	
DIMENSIONS: mm		CHK/VERIFIE 22MAR2006 X ROULLIARD	NAME / TITRE 3 POS. MQS RECEPTACLE HOUSING POSITIVE MATE	
TOLERANCES UNLESS OTHERWISE SPECIFIED: TOLERANCES NON SPECIFIEES		APVD/APPROUVE 22MAR2006 J. DAHER	porte-clips 3 voies MQS avaloir SPEC. PRODUIT 108-15226 SPEC. APPLICATION 411-15626	
MATERIAL/MATIERE PBT-GF20		FINISH/FINITION	WEIGHT / MASSE APPROX. 1g	RESTRICTED TO RESERVE A
DIMENSIONS: mm 		TOLERANCES UNLESS OTHERWISE SPECIFIED: TOLERANCES NON SPECIFIEES (SUIVY NB DE DECIMALES) 0 PLC/DEC: ± 1 PLC/DEC: ± 2 PLC/DEC: ± 3 PLC/DEC: ± 4 PLC/DEC: ± ANGLES ±5°	APPLICATION SPEC 411-15626 WEIGHT / MASSE APPROX. 1g Customer Drawing / PLAN CLIENT	SIZE / FORMAT A2 CAGE CODE 00779 DRAWING NO / No PLAN C-953697 SCALE / ECHELLE 5:1 SHEET / FEUILLE 1 OF / DE 1 REV D