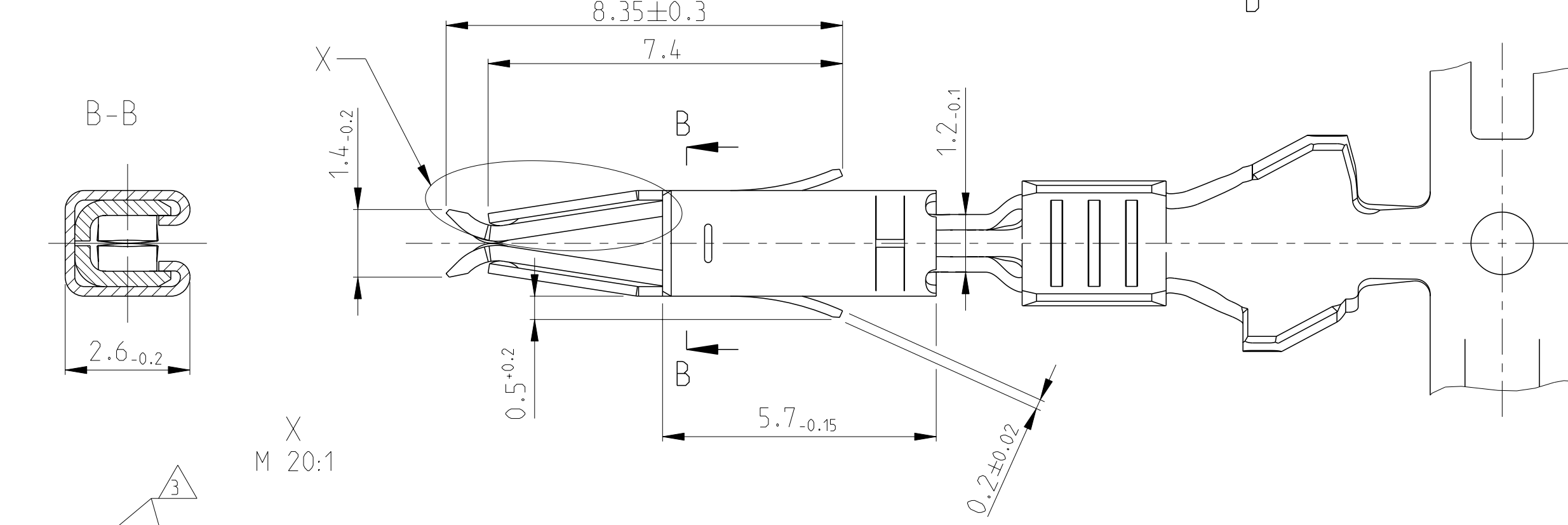
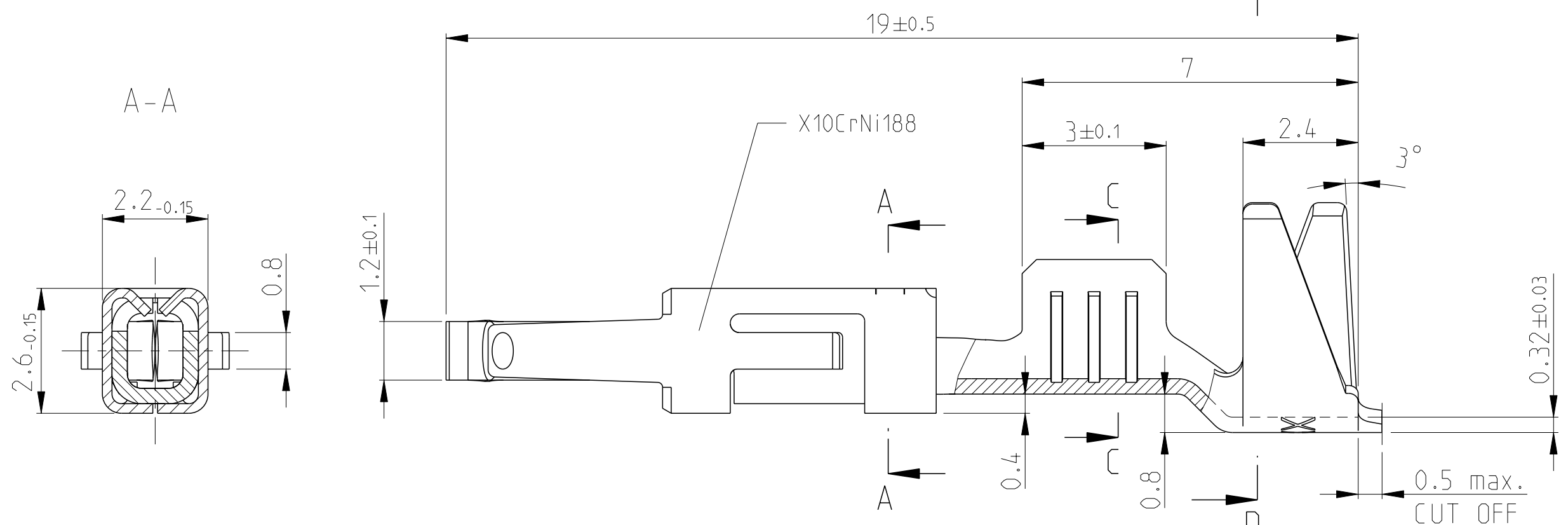


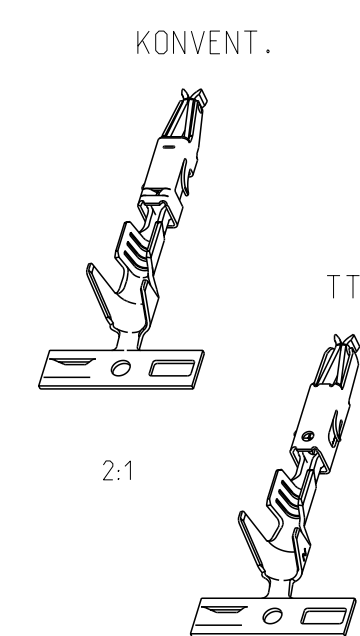
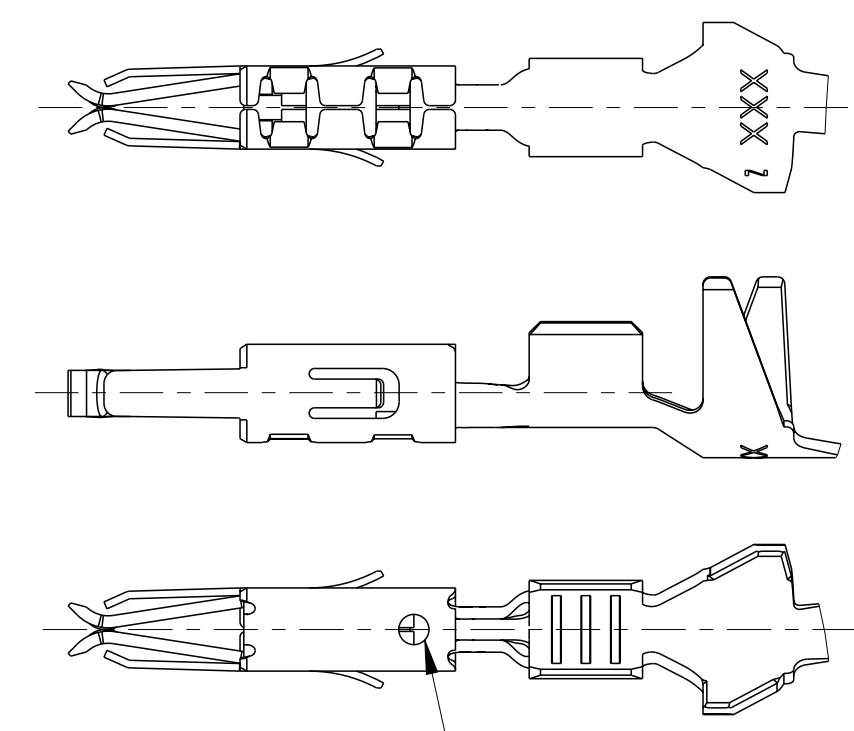
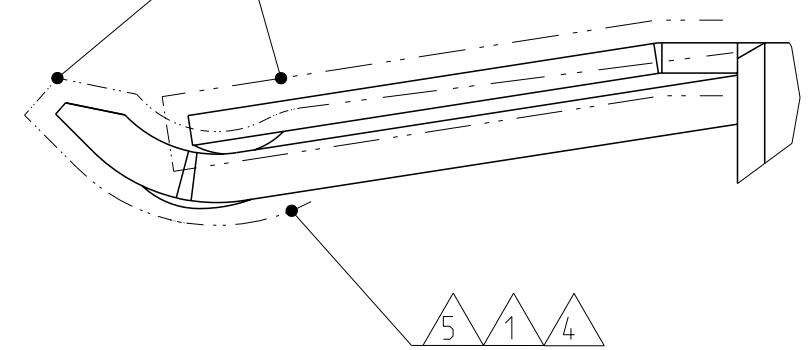
LOC	DIST	REVISIONS			
P	LTR	DESCRIPTION	DATE	DWN	APVD
A1	-				
N5		PRODUCT SPEC CORRECTED	23JUN2014	Ho.	Eder
N6		ECR-15-012070	13AUG2015	JBH	BK
N7		OBSOLETE PNS 962876-6, -7	11MAR2022	KMD	JC
N8		Added note 7 in the table in gap VERSION for PN 962876-1/-2	24OCT2022	FRAN	SCHI

7 KONVENTIONELL



- 1 SELECTIVE GOLD PLATED MIN. 0.8 µm OVER NI  
selektiv vergoldet 0.8 µm ueber Ni
- 2 TIN PLATED MIN. 0.2 µm OVER NI  
verzinkt 0.2 µm ueber Ni
- 3 CONTACT SURFACE SEL. GOLD PLATED MIN. 0.8 µm OVER NI  
CANTILEVER SPRING COMPLETELY GOLD PLATED ON BOTH SIDES  
sel. vergoldet auf der Kontaktobersseite 0.8 µm min. ueber Ni  
Ueberfeder komplett auf beiden Seiten vergoldet
- 4 GAL. TIN PLATED MIN. 1.0 µm OVER NI  
gal. verzinkt 1.0 µm ueber Ni
- 5 SELECTIVE GOLD PLATED MIN. 1.27 µm OVER NI  
selektiv vergoldet 1.27 µm min. ueber Ni
- 6 WIRE RANGE : 0.5 - 1.0 mm<sup>2</sup>  
INSULATION-Ø: 2.8 mm (SINGLE WIRE SEAL)  
Drahtgrossenbereich: 0.5 - 1.0 mm<sup>2</sup>  
Isolations-Ø: 2.8 mm (Einzeldichtung)

8 TWO TRACK DIE  
M 5:1



VERSION	SURFACE / Oberflaeche	MATERIAL	PART NO	REV		
OBsolete	8 7	5 2	CuFe2	962876-7	B	
OBsolete	8 7	3 4 2	CuSn4	962876-6	N	
	8 7	1 2	CuFe2	962876-5	N	
	8 7	1 2	CuSn4	962876-3	N	
	8 7		PRETIN / vorverzinkt	CuFe2	962876-2	N
	8 7		PRETIN / vorverzinkt	CuSn4	962876-1	N

THIS DRAWING IS A CONTROLLED DOCUMENT.

DIMENSIONS: mm	TOLERANCES UNLESS OTHERWISE SPECIFIED:	DWN R.Hofer 05-JAN-89	CHK L.Nix 05-APR-89	APVD M.Bleicher 25-JUN-08	NAME
	0-PLC ±				STE TE Connectivity
	1-PLC ±				MICRO TIMER 2 CONTACT WITH DOUBLE LOCKING LANCE mit doppelter Rastfeder
	2-PLC ±				SIZE CAGE CODE DRAWING NO RESTRICTED TO
	3-PLC ±				A2 00779 C-962876
	4-PLC ±				WEIGHT 0.3 g
	ANGLES ±2°				Customer Drawing
	FINISH				SCALE 10:1 SHEET 1 OF 1 REV N8

Printed on 24 Oct 2022 15:34 (Mittel Europa from TE220462)