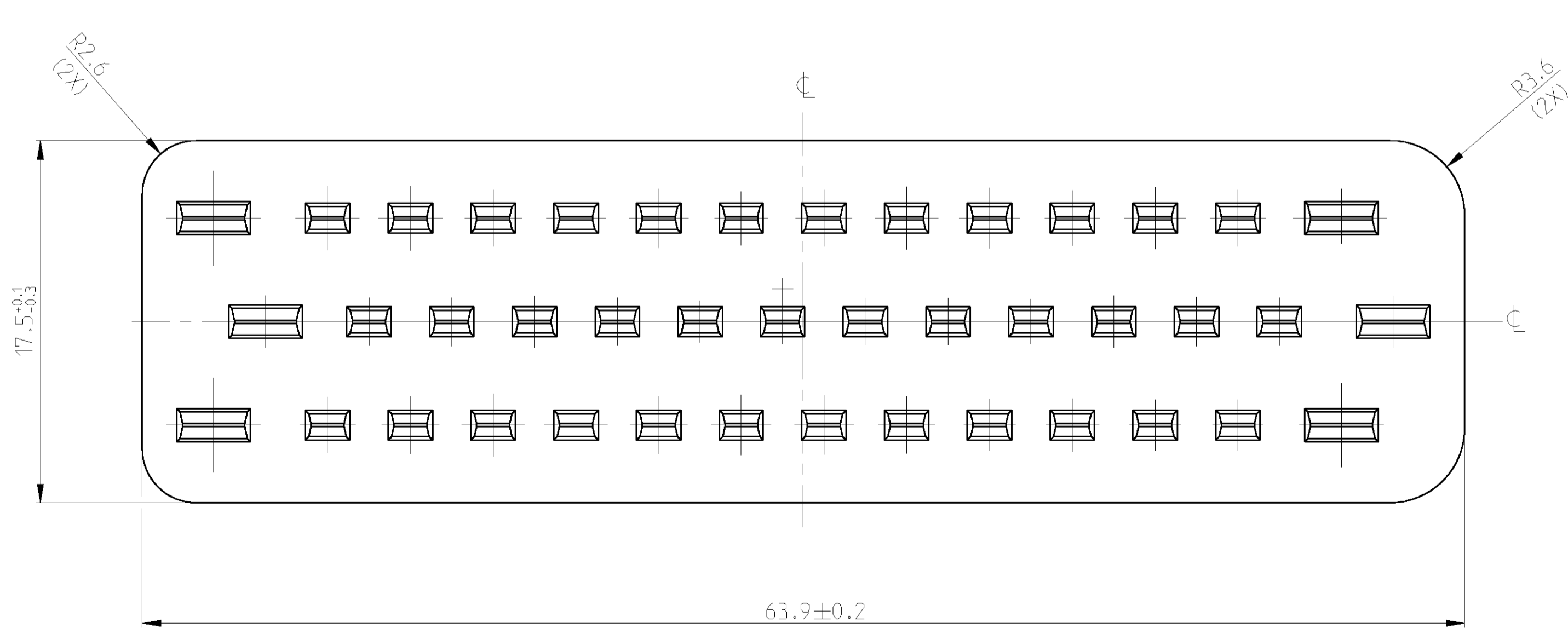
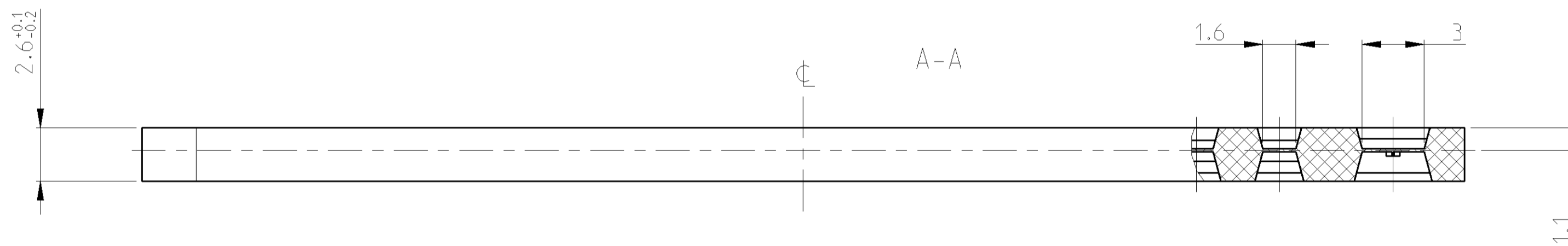
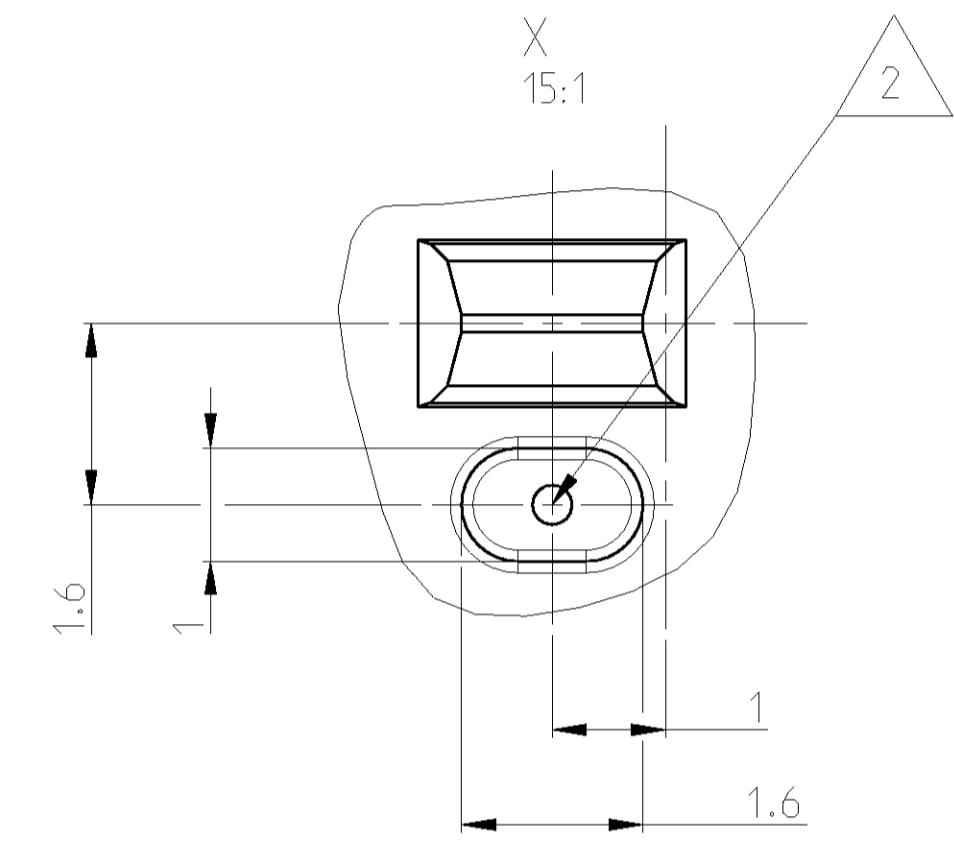
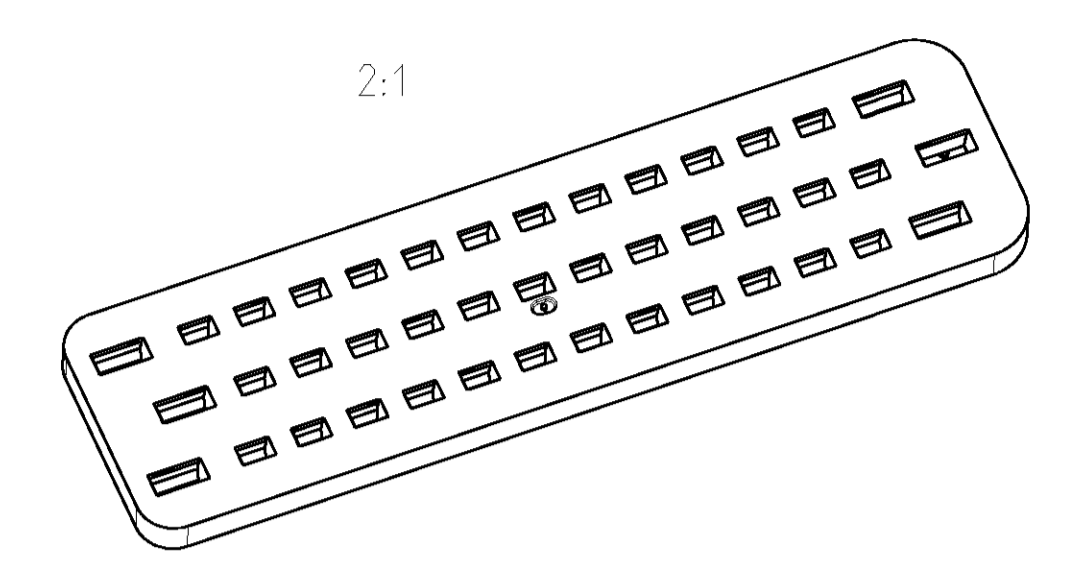
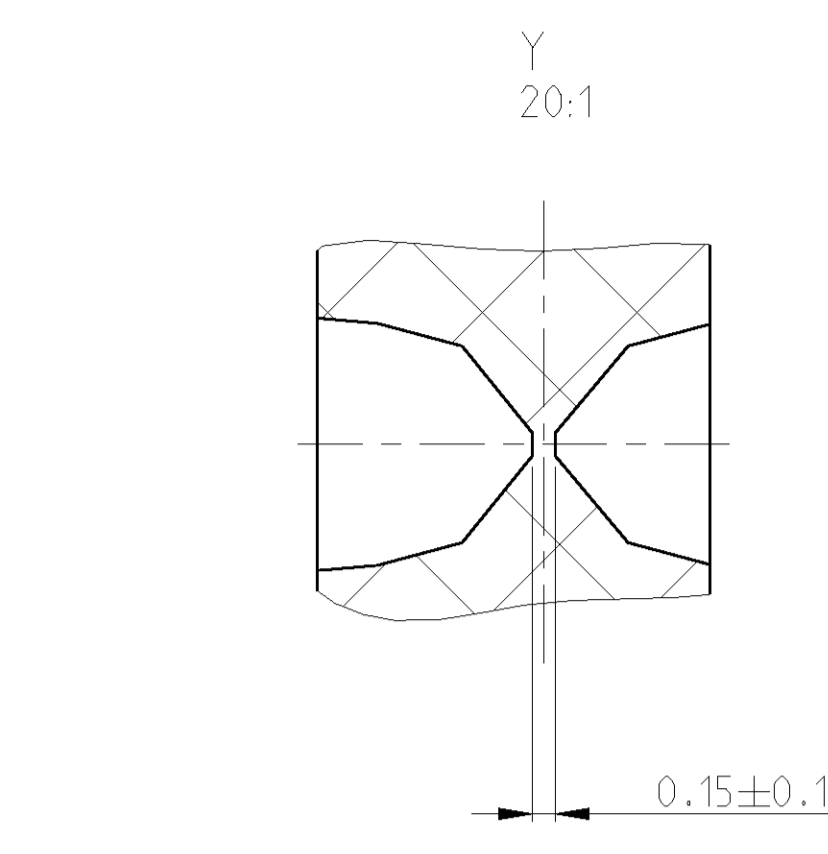
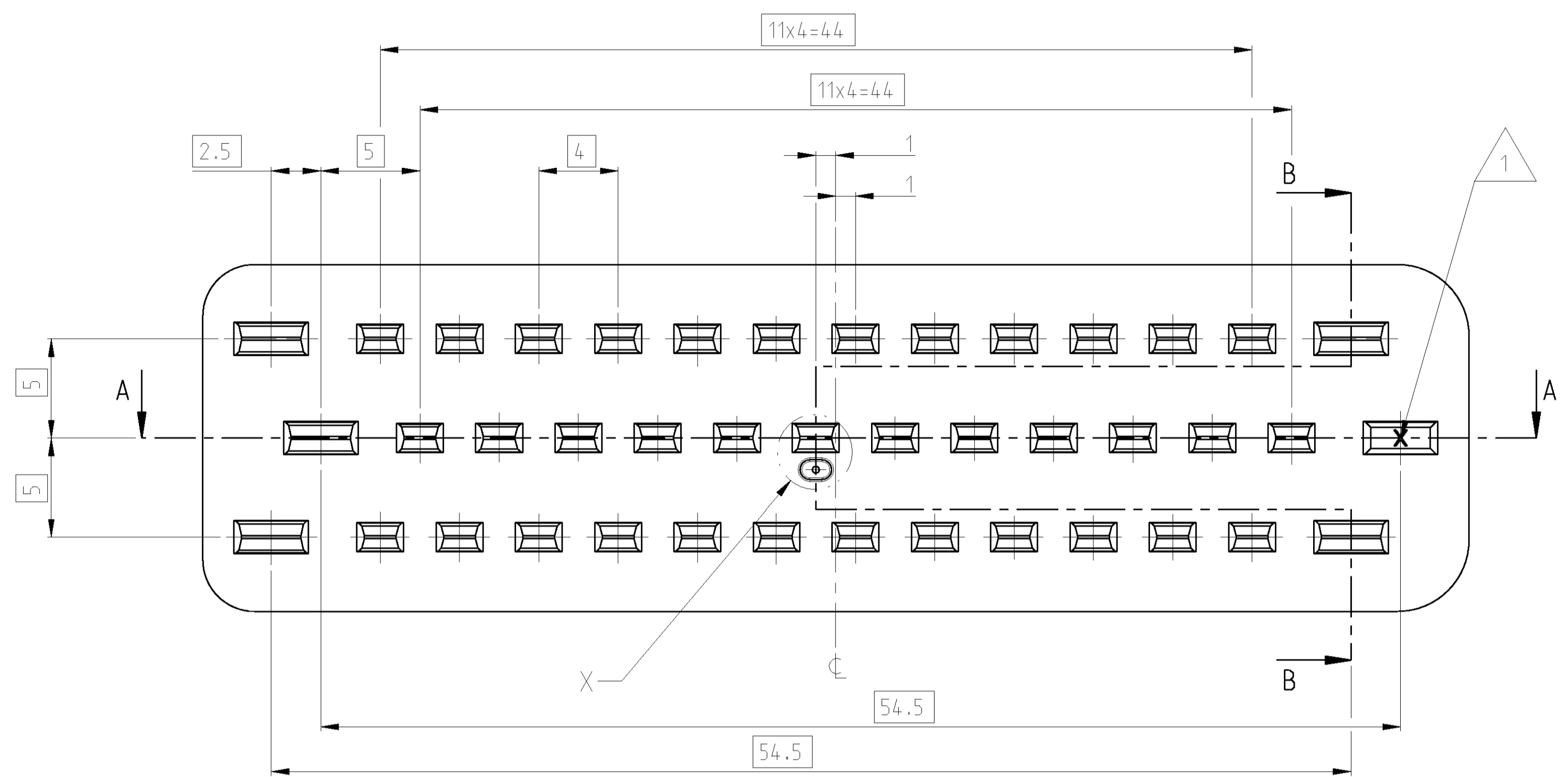
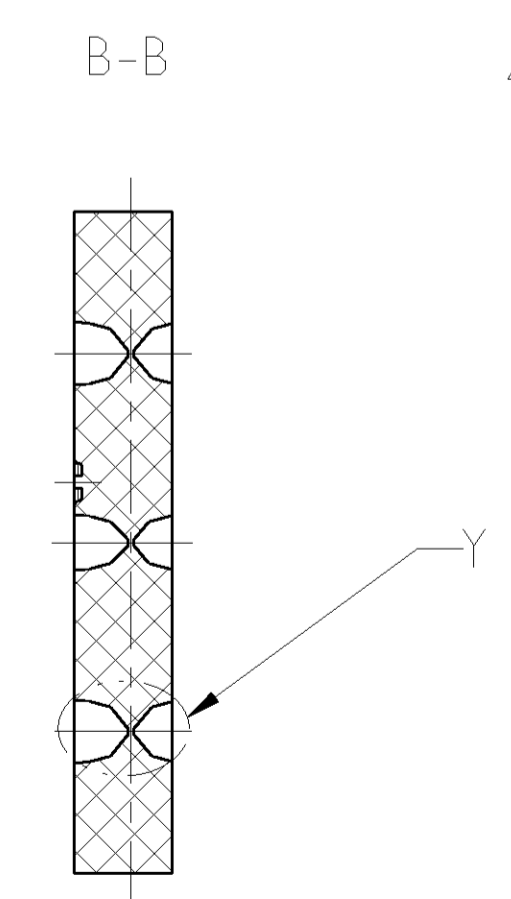


PROJECT NO. A89-52119	LOC A1	DIST -	REVISIONS			
			REV	DATE	BY	APPD
			D	04.JUL.2006	LN	TK



NOTES
Bemerkungen

- 1 CAVITY MARKING RAISED, OPTIONAL
IN ONE OF THE WINDOWS
Nestmarkierung erhaben, wahlweise
in einem der Fenster
- 2 GATE AREA SUNK
GATE MARK MUST NOT GET THROUGH OUTER GEOMETRY
Angussbereich vertieft
Anguss darf nicht aus der aeusseren
Geometrie ueberstehen



963225-1	D	SEALING	NATURE	2.89	1
PART NO	REV	DESCRIPTION	COLOR	WEIGHT (g)	ITEM NO

DIMENSIONS:		TOLERANCES UNLESS OTHERWISE SPECIFIED:		DWN L. Nguyen 04.JUL.2006		E-04 T. Kilian 17.JUL.2006		APVD D. Dunkel 18.JUL.2006		NAME SEALING, 42POS. MT2/JPT HOUSING Dichtung, 42pol. MT2/JPT Gehaeuse	
mm		0 PLC ±0.2 1 PLC ±0.2 2 PLC ±0.2 3 PLC ± 4 PLC ±		-		-		-		tyco Electronics tyco Electronics AMP GmbH 64625 Bensheim (Germany)	
MATERIAL SILICONE		FINISH -		WEIGHT -		APPLIC. SPEC -		CUSTOMER DRAWING		RESTRICTED TO	
SCALE 5:1		SHEET 1 OF 1		REV D		A1 00779		C=963225			