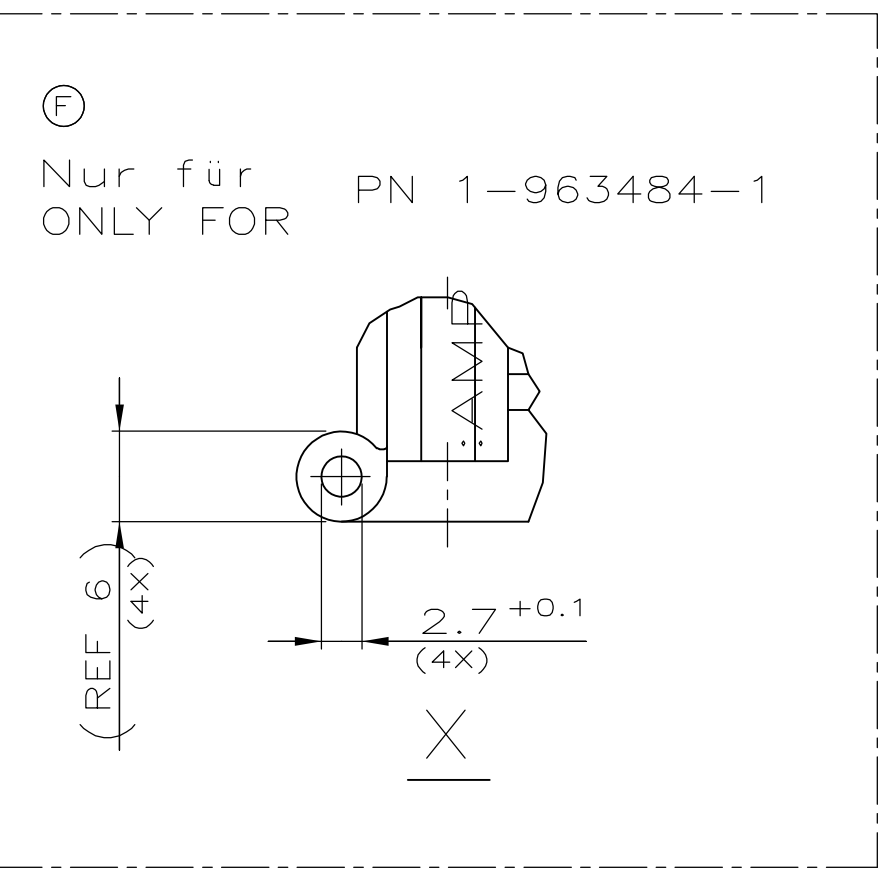
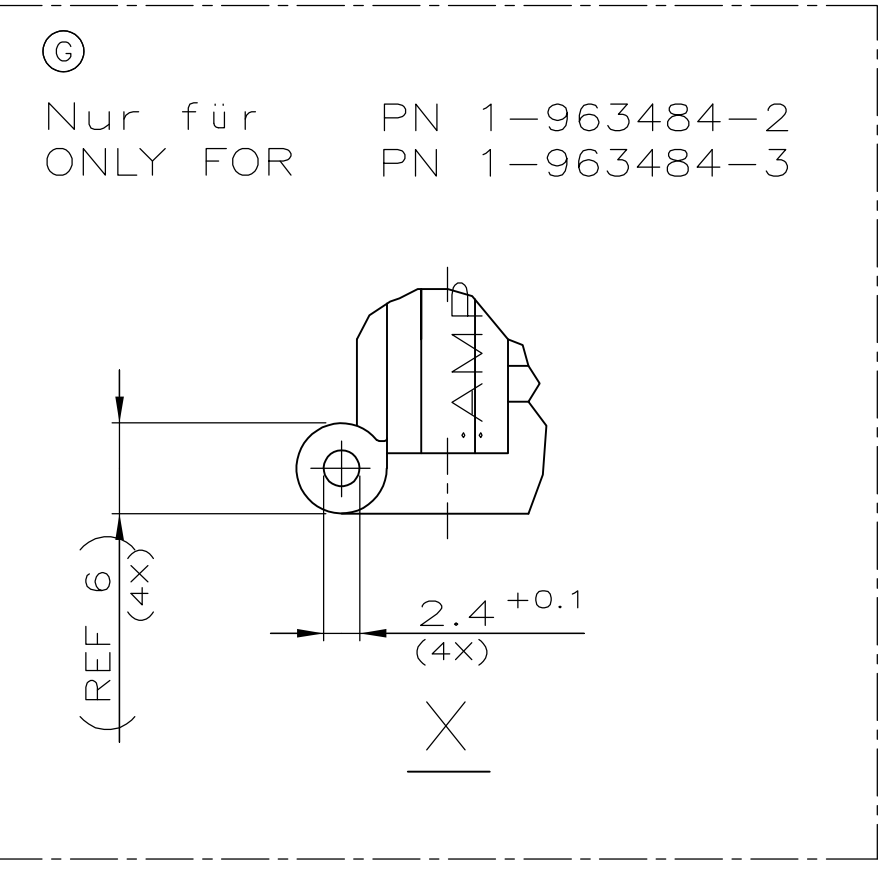
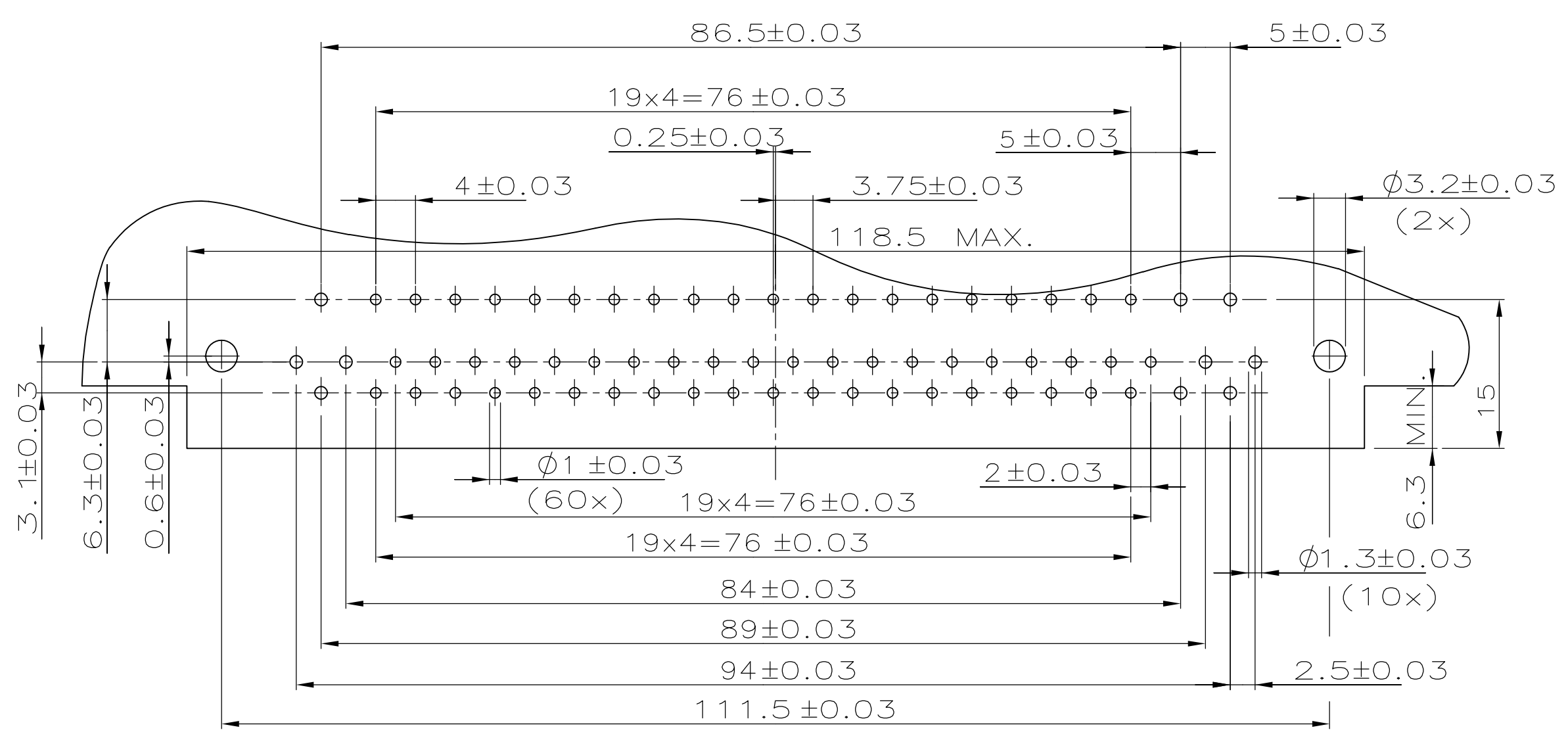
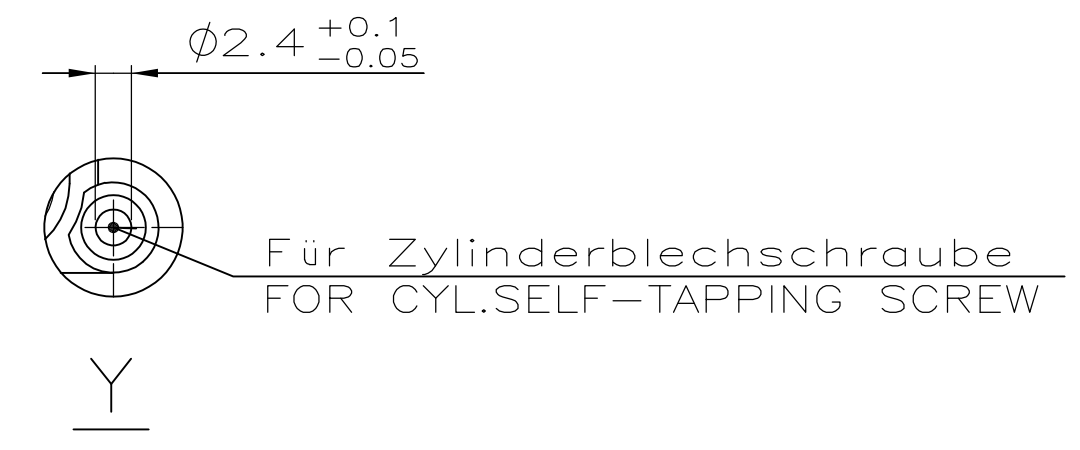


Leiterplattenlochbild für 90° + 270° Version
PCB-LAYOUT FOR 90° + 270° VERSION



PARTS LIST SEE SHEET 2

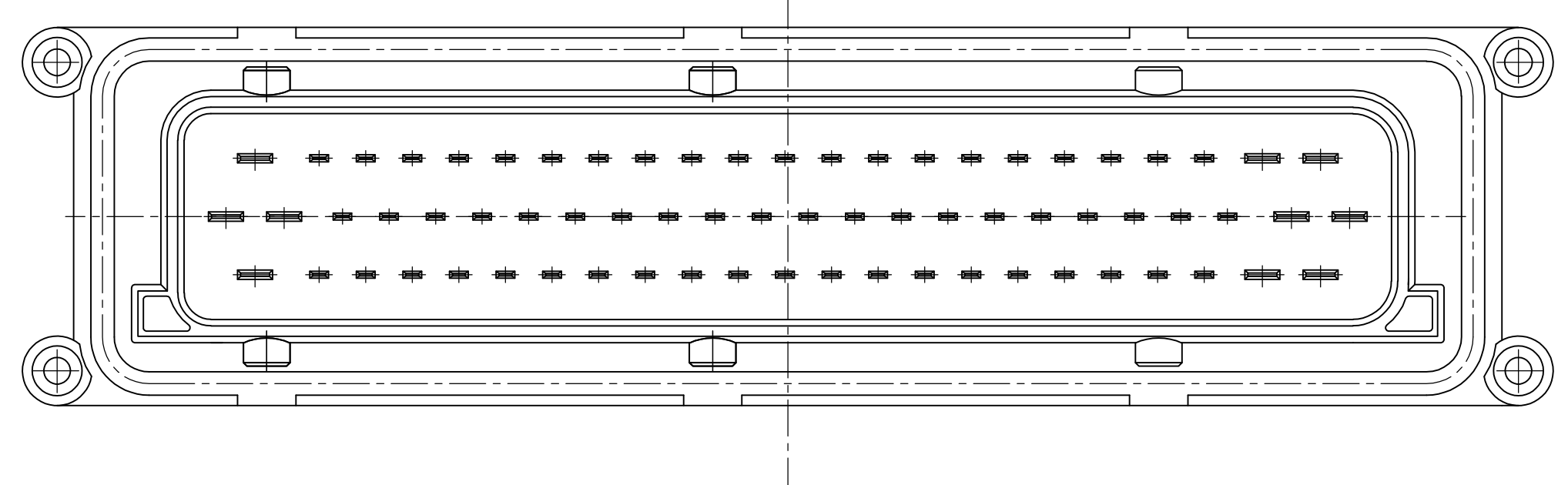


| | | | | | | | |
|-------------|--|-------------------------|------|-------|----------------------|-----------|------------------|
| BESTELL-NR. | | REV. | POS. | STÜCK | BENENNUNG EINZELTEIL | WERKSTOFF | OBERFLÄCHE FARBE |
| MATERIAL | | FINISH/OBERFLÄCHE/FARBE | | | | | |

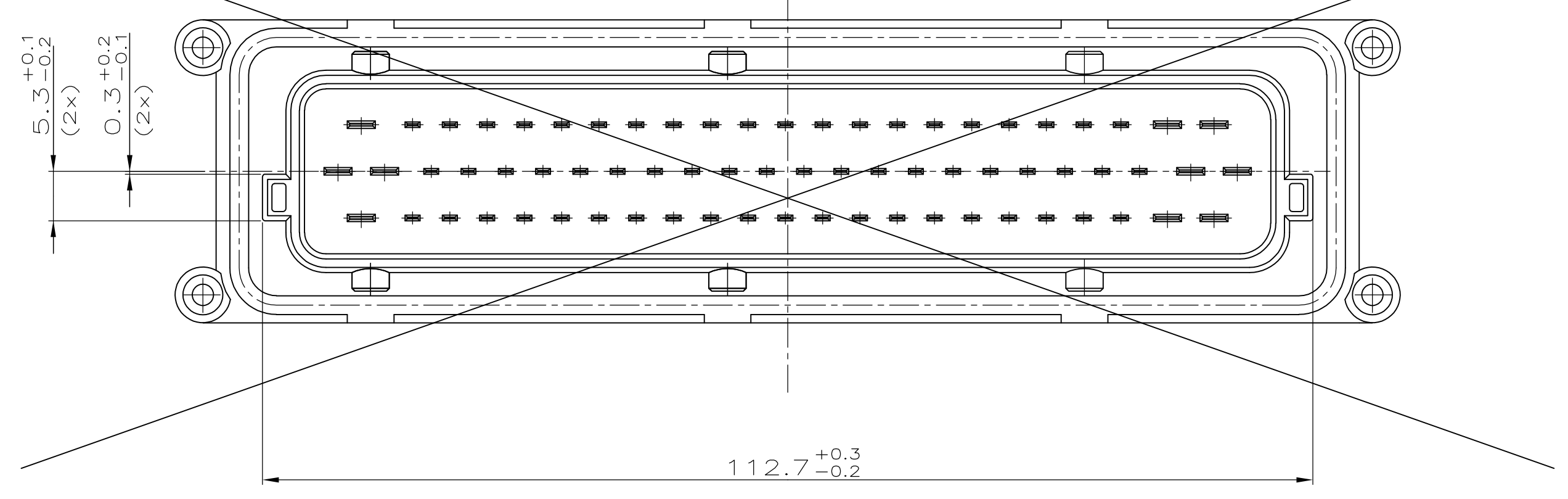
| | | |
|--------------------------------------------------------------------------------------------|---|--------------------------|
| THIS DRAWING IS A CONTROLLED DOCUMENT. DIESE ZEICHNUNG IST EIN KONTROLLIERTES DOKUMENT. | | DIN M.Kressmann 02.11.93 |
| DIMENSIONS: MASSEINHEITEN: mm | | 05.11.93 |
| TOLERANCES UNLESS OTHERWISE SPECIFIED: ALLIGERINTOLERANZEN | | |
| 0 PLC | ± | |
| 1 PLC | ± | 0.3 mm |
| 2 PLC | ± | |
| 3 PLC | ± | |
| 4 PLC | ± | |
| ANGLES / WINKEL | | |
| FINISH/OBERFLÄCHE/FARBE | | |

| | | | |
|------------------------------------|-----------|---------------------|---------------|
| ZEICHNUNG GÜLTIG AB | | NAME | |
| M.Kressmann | | H. Rouda | |
| TE Connectivity | | TAB HEADER, 70 POS. | |
| SIZE | CAGE CODE | DRAWING NO | RESTRICTED TO |
| A1 | 00779 | 963484 | MUR FÜR |
| CUSTOMER DRAWING / KUNDENZEICHNUNG | | SCALE | REV |
| MASSSTAB 2:1 | | 1 | 2 |

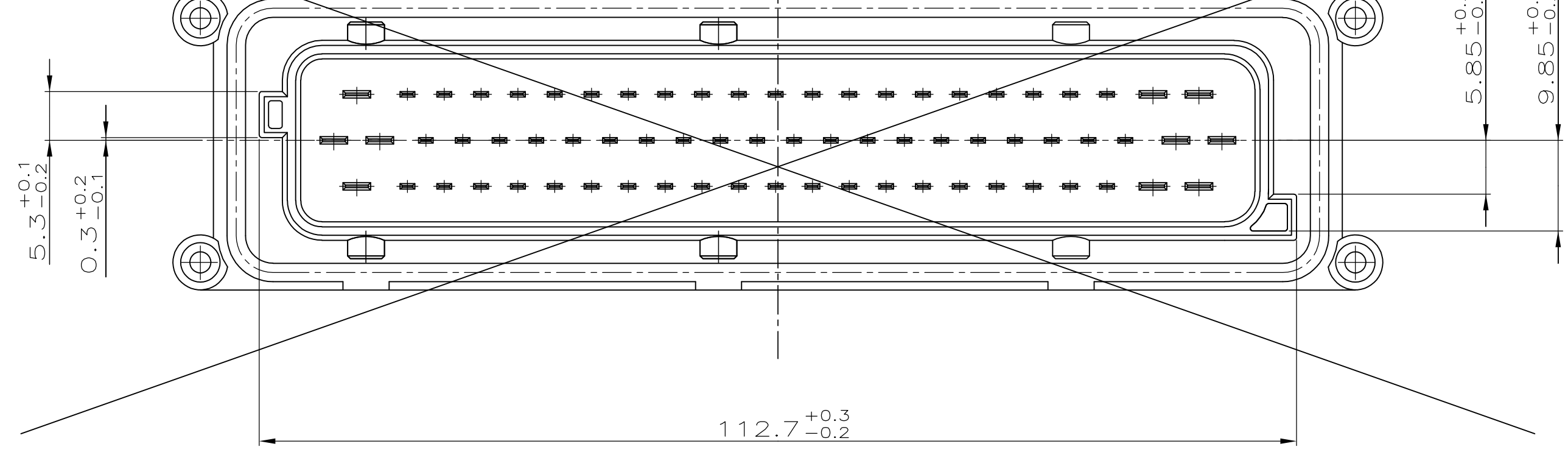
8 CODING A1



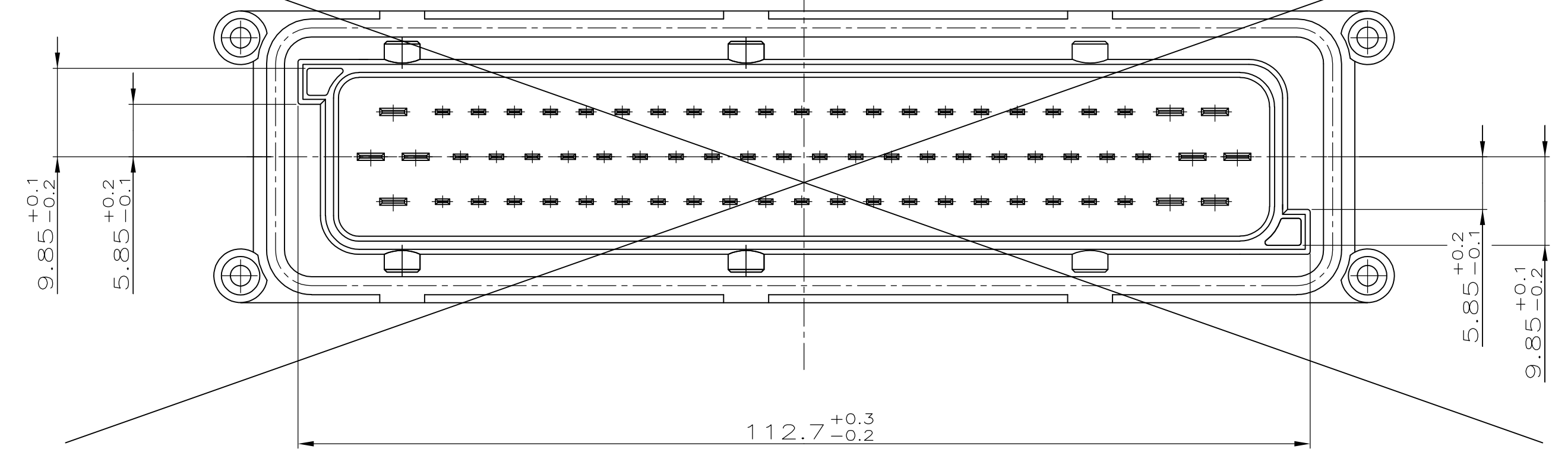
9 CODING B1



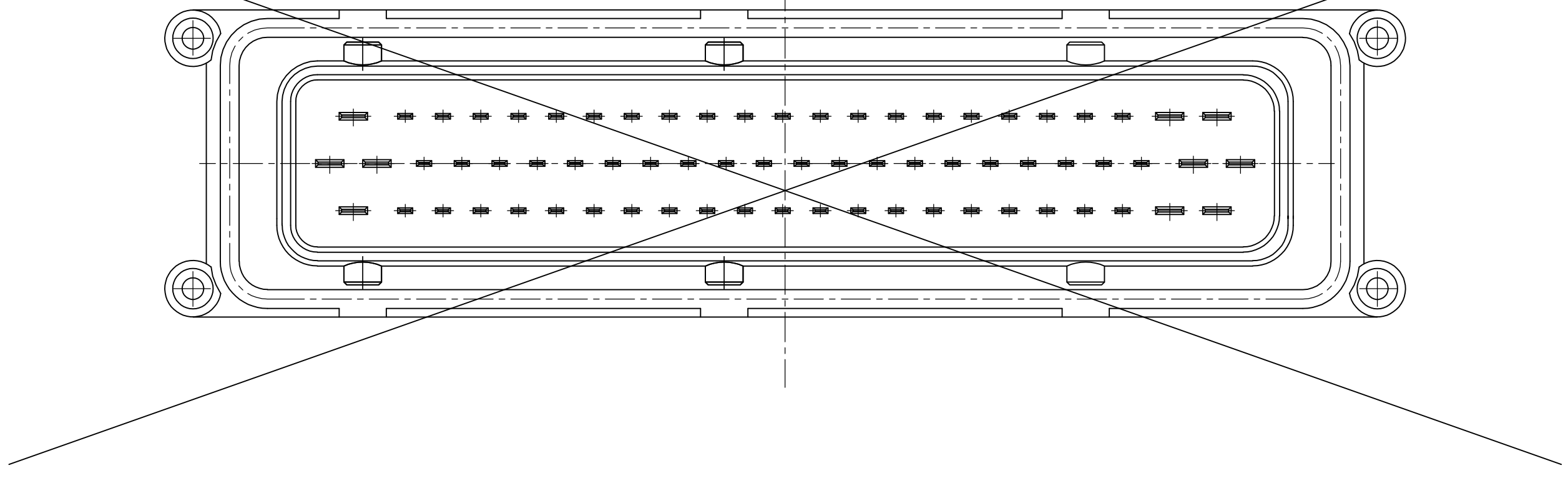
10 CODING C1



11 CODING D1



12 CODING N



| | | | | | | | | | | | | | | |
|-------------|------|-----------------------------------------------------------|-------|-----------------------------------------------------------|----------|-----------------------------------------------------------|-----------|-----------------------------------------------------------|----------|--------------------|----------|--------------------|----------|----------------|
| 5-963484-1 | D | 12 | 1 | TAB HEADER CODE N | PBT GF30 | WHITE | | | | | | | | |
| | | COMPONENTS 1-7, EQUIVALENT TO COMPONENTS OF PN 1-963484-1 | | | | | | | | | | | | |
| | | 4-963484-1 | D | 11 | 1 | TAB HEADER CODE D1 | PBT GF30 | BROWN | | | | | | |
| | | | | COMPONENTS 1-7, EQUIVALENT TO COMPONENTS OF PN 1-963484-1 | | | | | | | | | | |
| | | | | 3-963484-1 | D | 10 | 1 | TAB HEADER CODE C1 | PBT GF30 | BLUE | | | | |
| | | | | | | COMPONENTS 1-7, EQUIVALENT TO COMPONENTS OF PN 1-963484-1 | | | | | | | | |
| | | | | | | 2-963484-1 | D | 9 | 1 | TAB HEADER CODE B1 | PBT GF30 | GREY | | |
| | | | | | | | | COMPONENTS 1-7, EQUIVALENT TO COMPONENTS OF PN 1-963484-1 | | | | | | |
| | | | | | | | | 1-963484-3 | A | 8 | 1 | TAB HEADER CODE A1 | PBT GF30 | BLACK |
| | | | | | | | | | | 7 | 1 | CENTERING-PLATE | PBT GF30 | BLACK |
| | | | | | | | | | | 6 | 3 | TAB 3mm | CuSn4 | PRE-TIN PLATED |
| | | | | | | | | | | 5 | 4 | TAB 3mm | CuSn4 | PRE-TIN PLATED |
| 4 | 3 | | | | | | | | | TAB 3mm | CuSn4 | PRE-TIN PLATED | | |
| 3 | 20 | | | | | | | | | TAB 1.6mm | CuSn4 | PRE-TIN PLATED | | |
| 2 | 20 | TAB 1.6mm | CuSn4 | | | | | | | PRE-TIN PLATED | | | | |
| 1 | 20 | TAB 1.6mm | CuSn4 | | | | | | | PRE-TIN PLATED | | | | |
| 1-963484-2 | F | 8 | 1 | TAB HEADER CODE A1 | PBT GF30 | | | | | BLACK | | | | |
| | | 7 | 1 | CENTERING-PLATE | PBT GF30 | | | | | BLACK | | | | |
| | | 6 | 3 | TAB 3mm | CuSn4 | PRE-TIN PLATED | | | | | | | | |
| | | 5 | 4 | TAB 3mm | CuSn4 | PRE-TIN PLATED | | | | | | | | |
| | | 4 | 3 | TAB 3mm | CuSn4 | PRE-TIN PLATED | | | | | | | | |
| | | 3 | 20 | TAB 1.6mm | CuSn4 | PRE-TIN PLATED | | | | | | | | |
| | | 2 | 20 | TAB 1.6mm | CuSn4 | PRE-TIN PLATED | | | | | | | | |
| | | 1 | 20 | TAB 1.6mm | CuSn4 | PRE-TIN PLATED | | | | | | | | |
| | | 1-963484-1 | F | 8 | 1 | TAB HEADER CODE A1 | PBT GF30 | BLACK | | | | | | |
| | | | | 7 | 1 | CENTERING-PLATE | PBT GF30 | BLACK | | | | | | |
| | | | | 6 | 3 | TAB 3mm | CuSn4 | PRE-TIN PLATED | | | | | | |
| | | | | 5 | 4 | TAB 3mm | CuSn4 | PRE-TIN PLATED | | | | | | |
| 4 | 3 | | | TAB 3mm | CuSn4 | PRE-TIN PLATED | | | | | | | | |
| 3 | 20 | | | TAB 1.6mm | CuSn4 | PRE-TIN PLATED | | | | | | | | |
| 2 | 20 | | | TAB 1.6mm | CuSn4 | PRE-TIN PLATED | | | | | | | | |
| 1 | 20 | | | TAB 1.6mm | CuSn4 | PRE-TIN PLATED | | | | | | | | |
| BESTELL-NR. | REV. | | | POS. | STÜCK | BENENNUNG EINZELTEIL | WERKSTOFF | OBERFLÄCHE FARBE | | | | | | |

THIS DRAWING IS A CONTROLLED DOCUMENT. DIESE ZEICHNUNG IST EIN KONTROLLIERTES DOKUMENT.

DIMENSIONS: MASSEINHEITEN: mm. TOLERANCES UNLESS OTHERWISE SPECIFIED: ALL-DIGIT TOLERANCES. 0 PLC ± -, 1 PLC ± 0.3 mm, 2 PLC ± -, 3 PLC ± -, 4 PLC ± -.

FINISH/OBERFLÄCHE/FARBE: PBT GF30.

REVISIONS: G1 REVISED PER ECO-11-005150, G2 OBSOLETE 1-963484-2.

DATE: 21MAR11, 9.03.15.

DWG: RK, HMR.

ML, VCH.

ZEICHNUNG GÜLTIG AB: 17-JUL-95.

TE Connectivity

TAB HEADER, 70 POS.

SCALE: MASSSTAB 2:1. SHEET: 2 von 2. REV: G2.