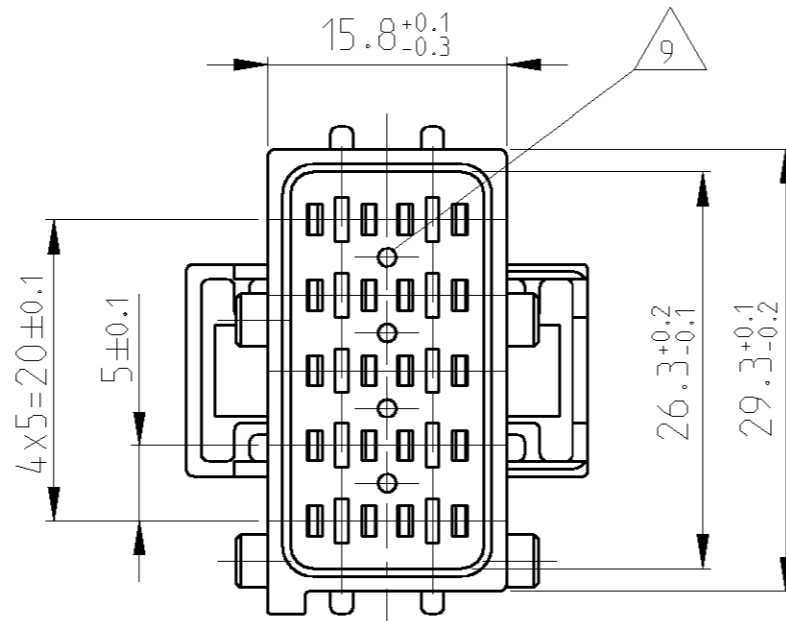
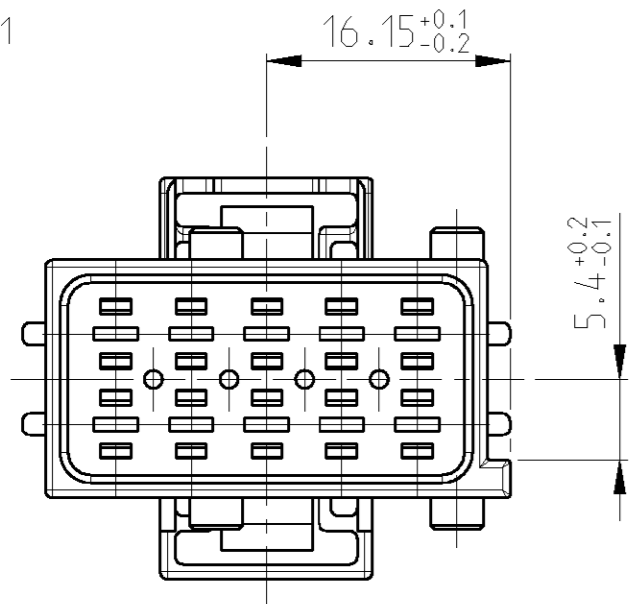


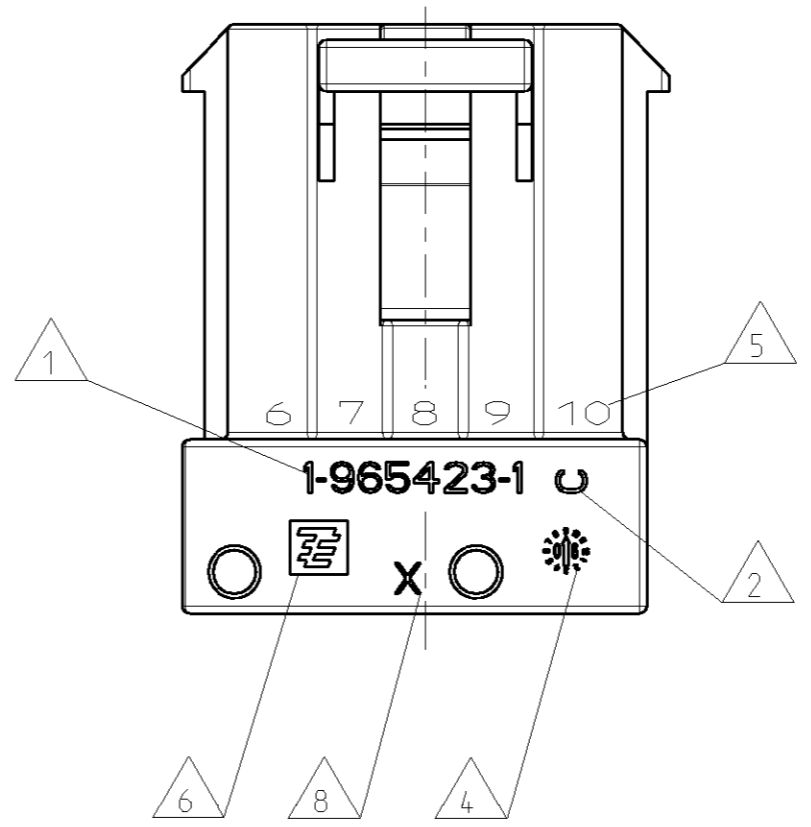
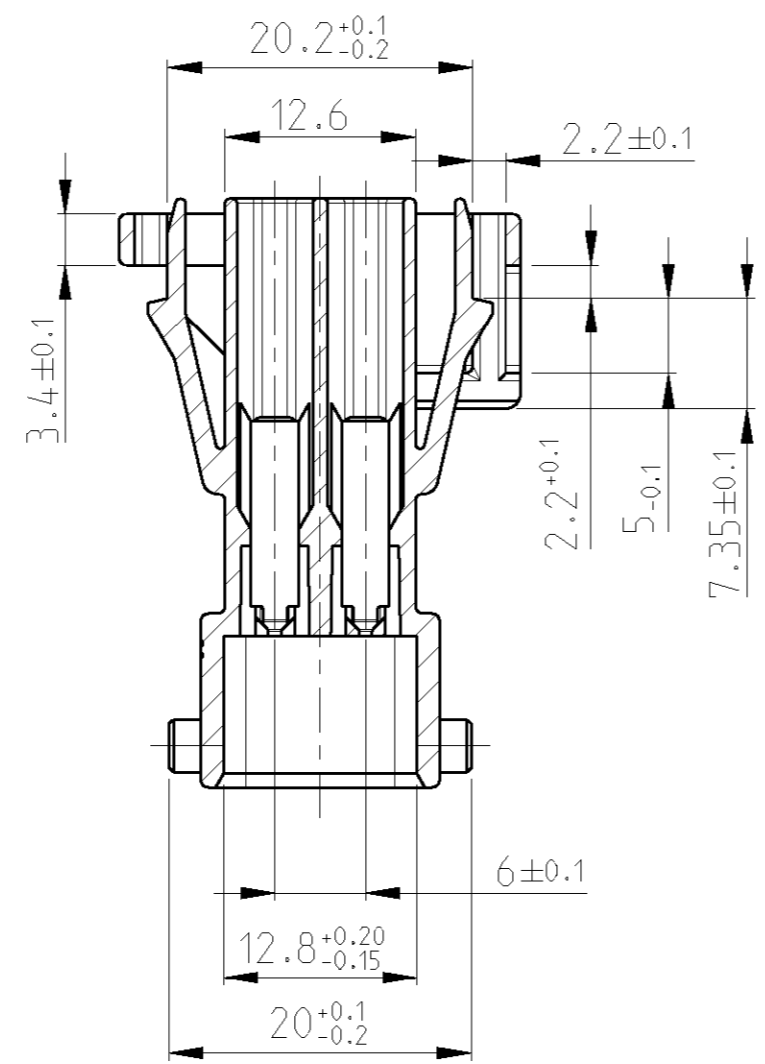
THIS DRAWING IS UNPUBLISHED. RELEASED FOR PUBLICATION. COPYRIGHT BY - ALL RIGHTS RESERVED.

LOC	DIST	REVISIONS					
A1	-	P	LTR	DESCRIPTION	DATE	DWN	APVD
PROJECT NO. A93-52217		C1		REVISED PER ECO-11-005150	28MAR11	RK	HMR

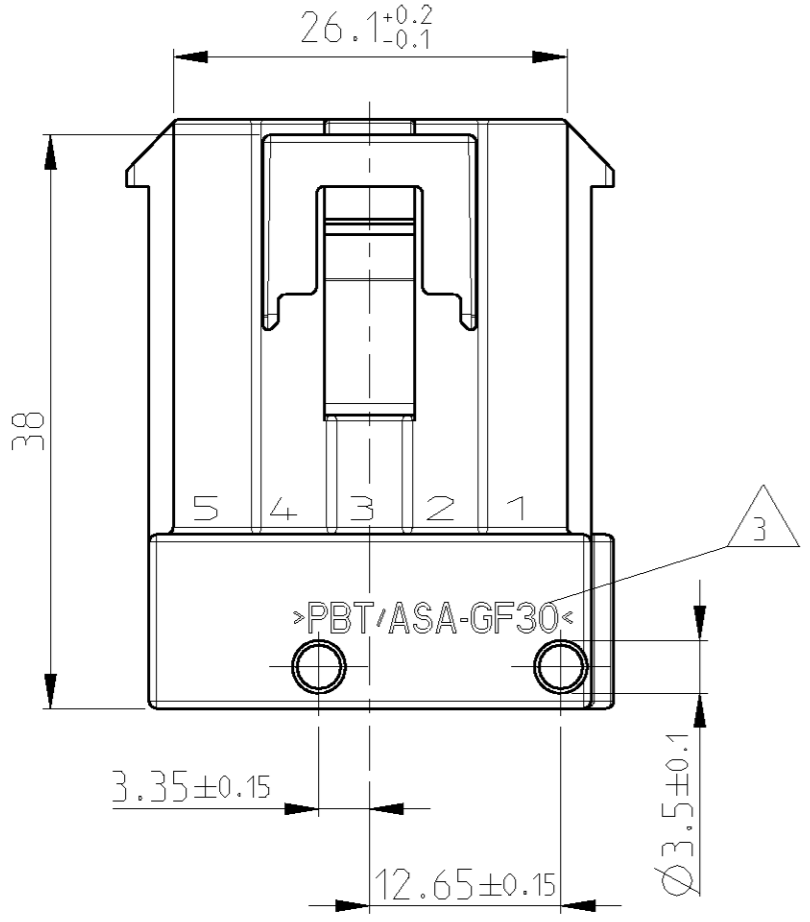
CODING A1



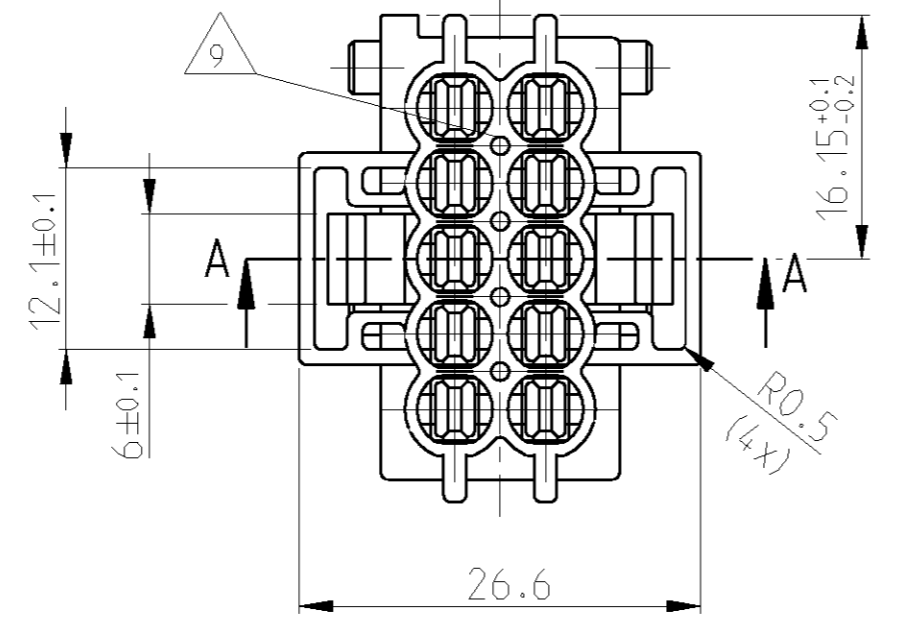
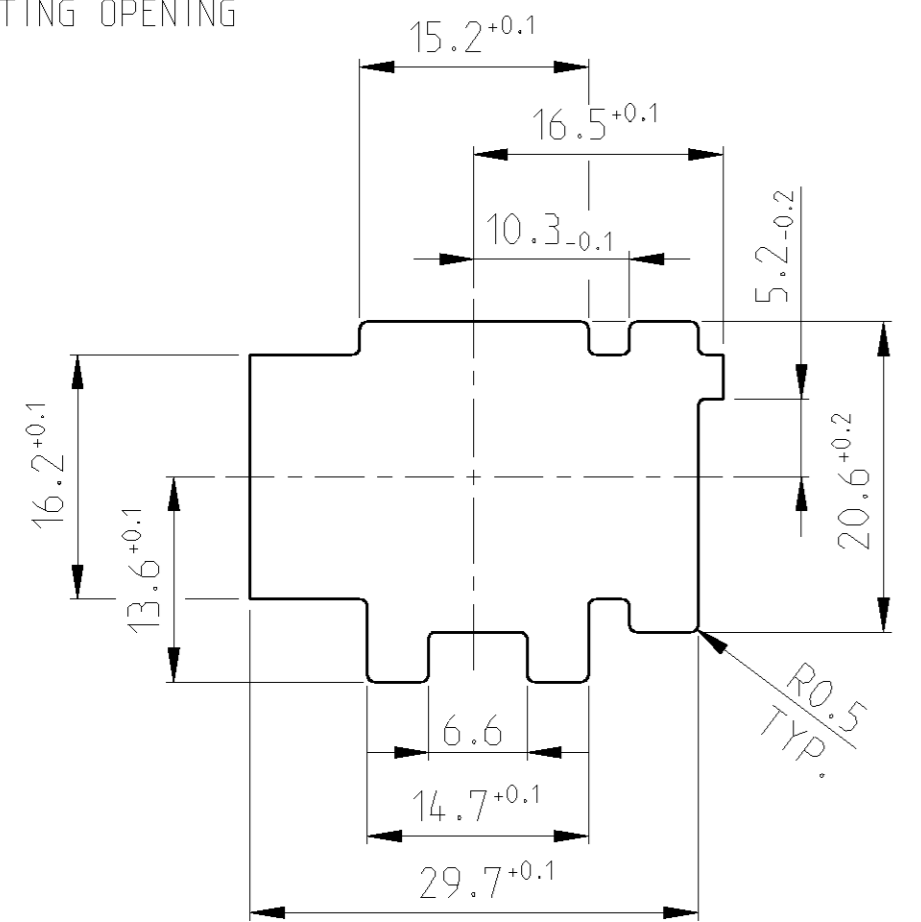
A-A



- NOTES
BEMERKUNGEN
- NV NOTE NOT VALID
Bemerkung nicht verwendet
 - 1 ORDER NUMBER
BESTELL-NUMMER
 - 2 REVISION NUMBER
WERKZEUGÄNDERUNGSINDEX
 - 3 MATERIAL MARKING
WERKSTOFFKENNZEICHNUNG
 - 4 PRODUCTION DATE
PRODUKTIONSdatum
 - 5 CONTACT CAVITY NUMBER
KONTAKTKAMMERNUMMER
 - 6 TE- LOGO
 - 7 PACKAGING: BULK MATERIAL IN CARDBOARD BOX
VERPACKUNG: SCHUETTGUT IN KARTON
 - 8 TOOL CAVITY MARKING
NESTMARKIERUNG
 - 9 OPTIONAL SUIT OF CORES FOR MATERIAL RECESS
Mögliche Materialentnahme



Blechausschnitt
MOUNTING OPENING



USED WITH
967240

1- -1 wie gezeichnet
AS SHOWN

1-965423-1	C	A1	2.8mm Tab-Hsg. 10Pos.	PBT/ASA-GF-30	BLACK	1
ORDER NO BESTELLNUMMER	REV	CODING	DESCRIPTION NAME	MATERIAL	SURFACE COLOR	ITEM NO

DIMENSIONS: mm		TOLERANCES UNLESS OTHERWISE SPECIFIED:		DWN C.Anghel 24OCT2007	TE Connectivity 2.8mm Messerleiste, 10-polig
		0 PLC ±0.3 1 PLC ±0.3 2 PLC ±0.3 3 PLC ± 4 PLC ± ANGLES ±1° FINISH		CHK I.Kilian 25OCT2007	
MATERIAL		-		APVD -	NAME
-		-		PRODUCT SPEC 108-18102	SIZE
-		-		APPLICATION SPEC 114-18175	CAGE CODE
-		-		WEIGHT 8.7g	DRAWING NO
-		-		CUSTOMER DRAWING	RESTRICTED TO
-		-		SCALE 2:1	SHEET 1 OF 1
-		-		REV C1	