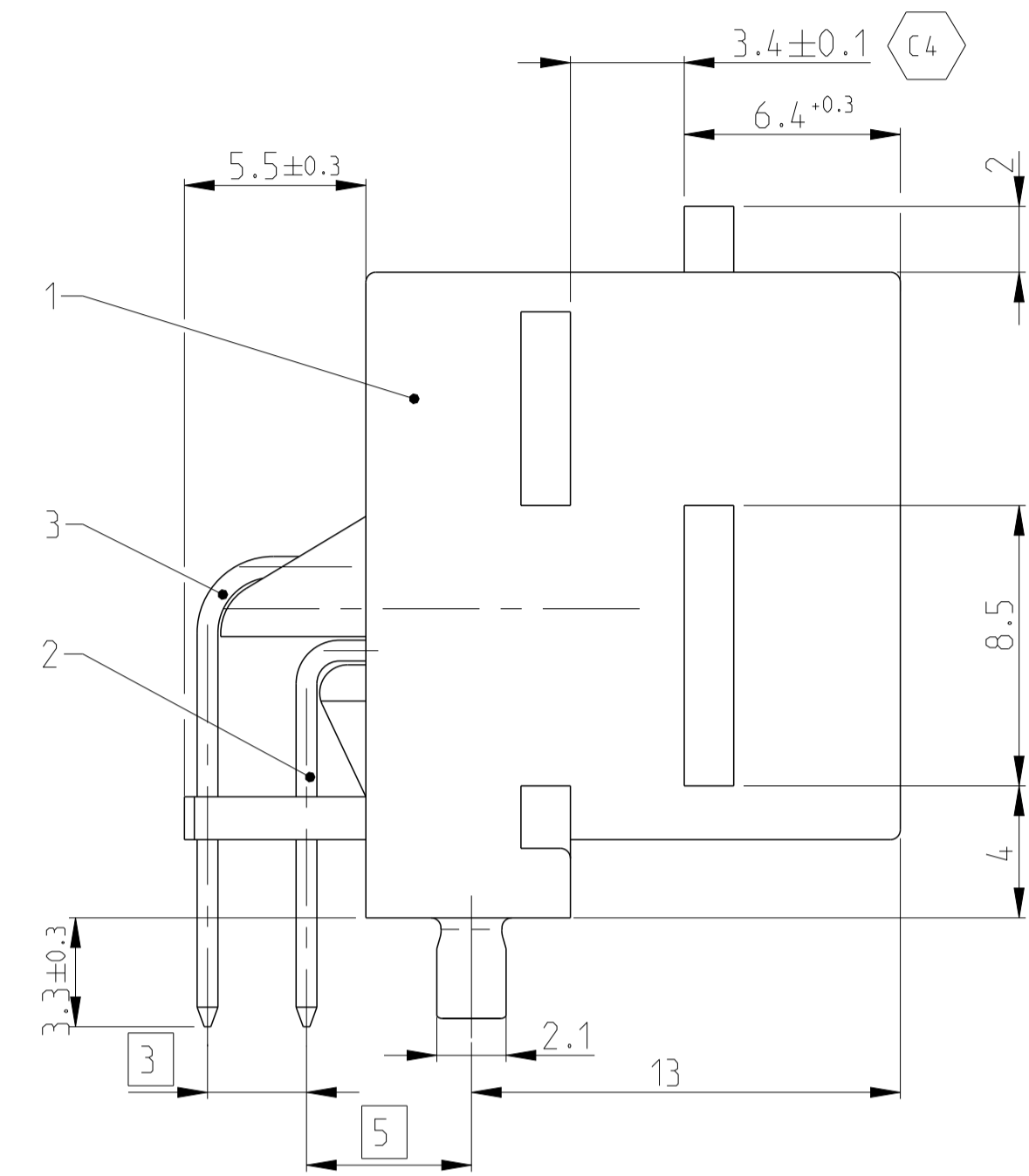
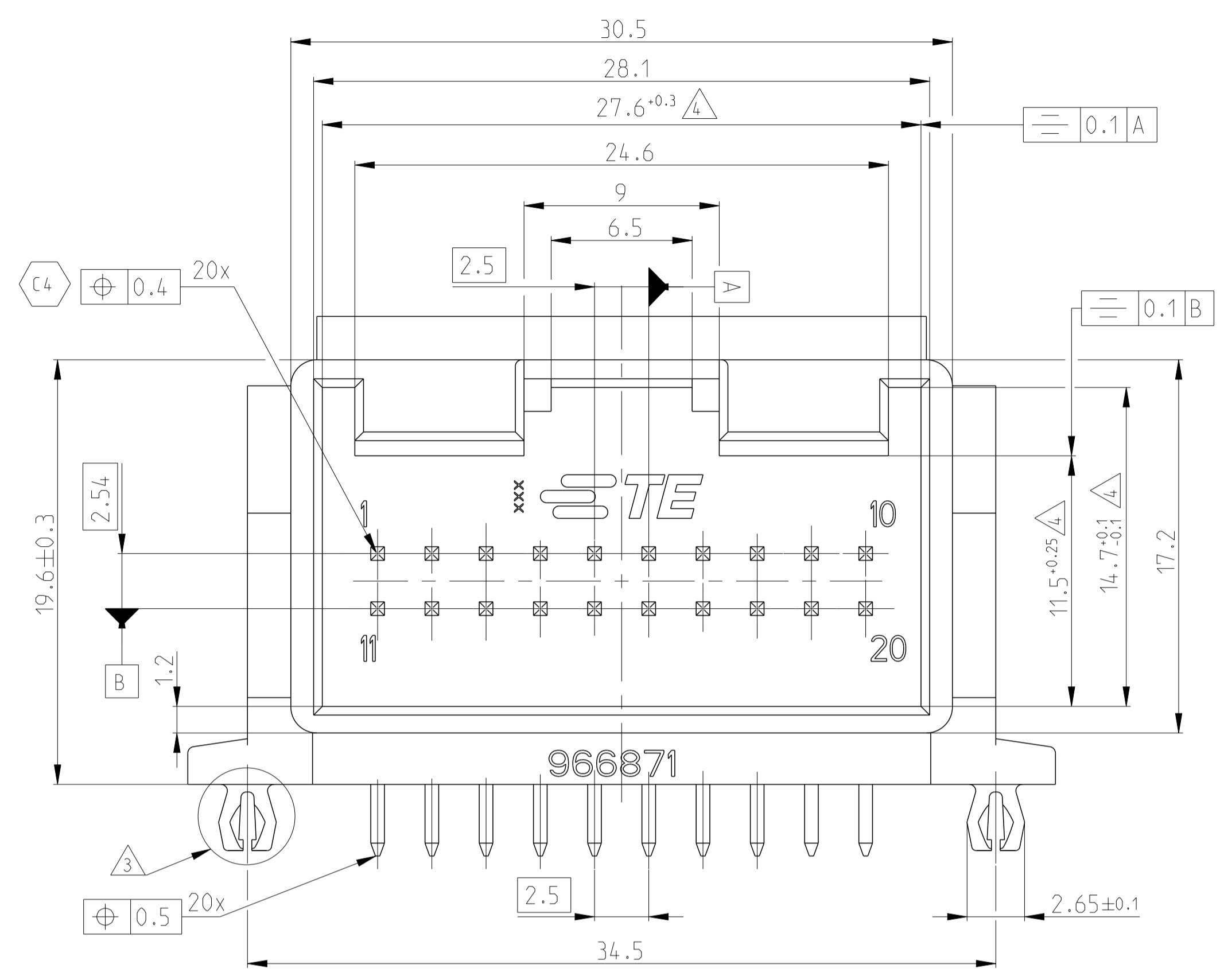
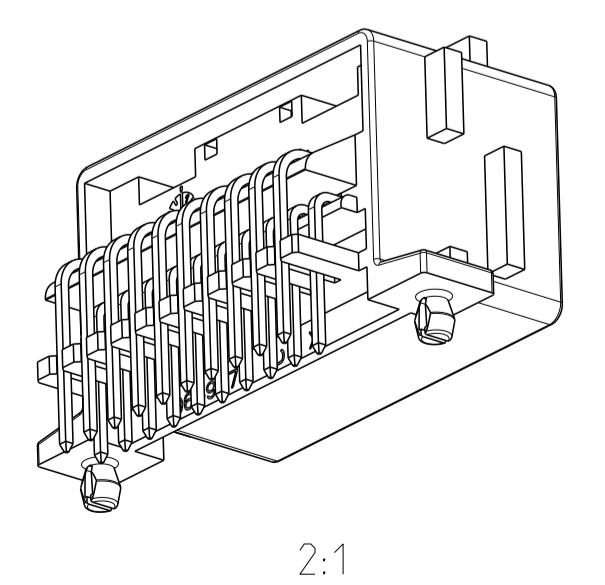
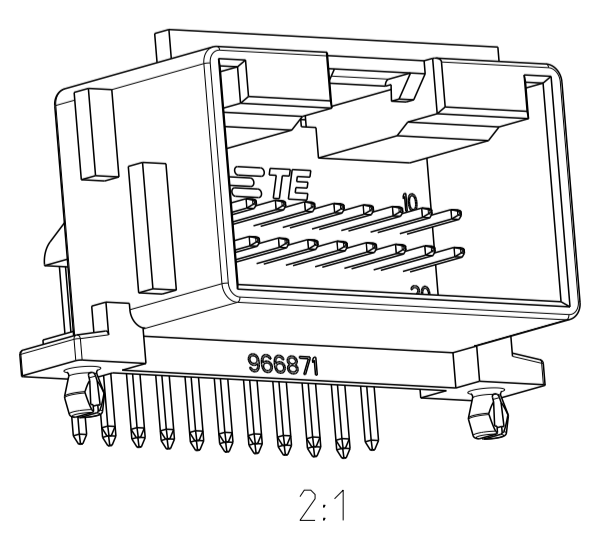
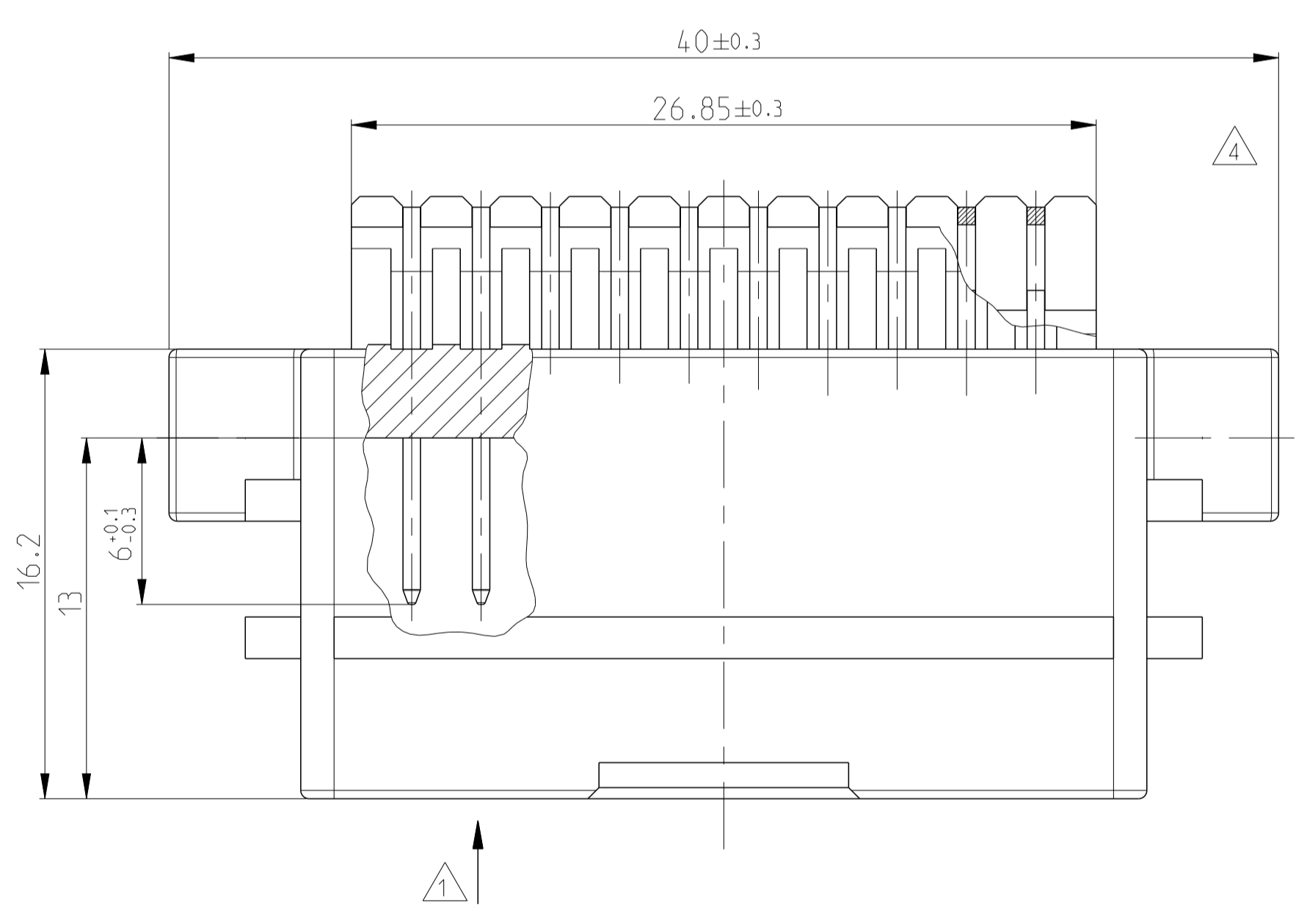
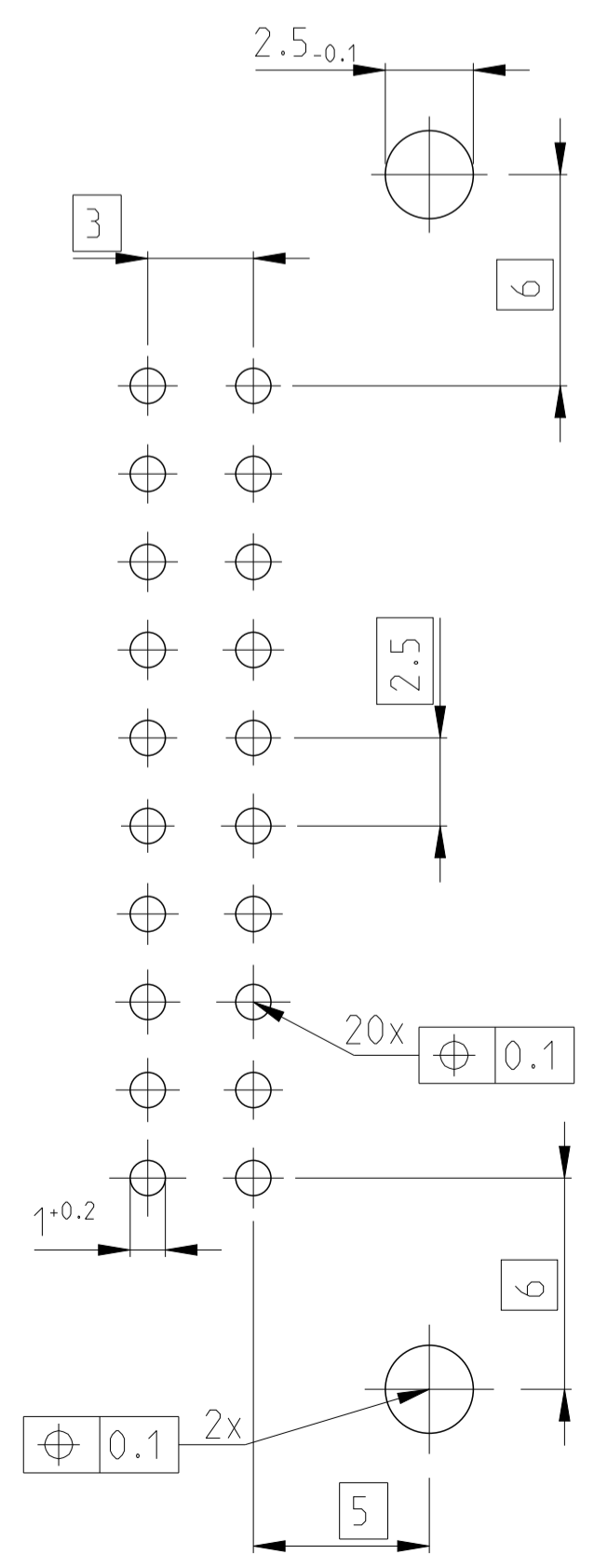


REVISIONS					
REV.	DATE	DESCRIPTION	BY	CHK	APPV
C1	31JAN01	Revision angepasst	KS	-	-
C2	13OCT04	Bemerkung 4 an Mass 11.5-0.25	GF	BL	BL
C3	04MAR2009	NEW PACKAGING	PS	MZ	MZ
C4	29MAY2018	ECR-18-008211	SCK	GB	GB



Empfohlenes  
Leiterplattenbohrbild  
RECOMMENDED  
CIRCUIT BOARD



Bemerkungen

- 1 Kontaktausdrueckkraft min. 40N
- 2 Passender Anschlussstecker:  
Abdeckkappen VW/Audi: 969422  
Abdeckkappen Neutral: 969546  
Kontaktgehaeuse: 828929-3  
969683-X
- 3 Rastzapfen fuer Leiterplattendicke 1.5mm
- 4 Formbedingter Einfall max. ±0.3 zul.
- 5 Verpackung A:  
Karton PN 740906-1  
Tray PN 740966-2  
Zwischenlage (338x535mm)
- 6 Verpackung B:  
Karton PN 740906-1  
Tray PN 740966-2  
Beutel PN 1379066-3

NOTES

- 1 PRESS OUT FORCE MIN. 40N
- 2 SUITABLE CONNECTOR:  
SHIELDS VW/AUDI : 969422  
SHIELDS NEUTRAL: 969546  
CONTACT HOUSING: 828929-3  
969683-X
- 3 LOCKING PIN FOR PCB THICKNESS 1.5MM
- 4 TOOL DEPENDENT WARPAGE MAX. ±0.3 PERMITTED
- 5 PACKAGING A:  
BOX PN 740906-1  
TRAY PN 740966-2  
CORRUCATED INNER LAYER (338X535mm)
- 6 PACKAGING B:  
BOX PN 740906-1  
TRAY PN 740966-2  
BAG PN 1379066-3

TE-ORDER-NO.	REV.	POS.	QTY.	DESCRIPTION	MATERIAL	SURFACE COLOUR	PACKAGING
1-966 871-1	C	3	10	MODU II PIN □0.63 (26.9MM)	CuSn6	TIN-PLATED	B
		2	10	MODU II PIN □0.63 (21.7MM)	CuSn6	TIN-PLATED	
966 871-1	C	1	1	2X10 POS. PIN-HEADER	PBT-GF 15	BLACK	A
		3	10	MODU II PIN □0.63 (26.9MM)	CuSn6	TIN-PLATED	
1	1	1	2X10 POS. PIN-HEADER	PBT-GF 15	BLACK		

THIS DRAWING IS A CONTROLLED DOCUMENT.		DMN: K.Sellien 07MAR96	 TE Connectivity
DIMENSIONS: mm		CHK: B.Kirsch 07MAR96	
TOLERANCES UNLESS OTHERWISE SPECIFIED:		APVD: -	NAME: AMPMODU MODU II Stiftleiste.
PLC TO ACC. TO		PRODUCT SPEC	2x10 pol.
PLC #DIN 16901-140		APPLICATION SPEC	
PLC #CENTRIC TO NOMINAL DIM		SIZE: A1	CAGE CODE: 00779
FINISH: #2*		WEIGHT: 6.64 g	DRAWING NO: 966871
MATERIAL: S. TAB.		CUSTOMER DRAWING	SCALE: 5:1
S. TAB.			SHEET 1 OF 1