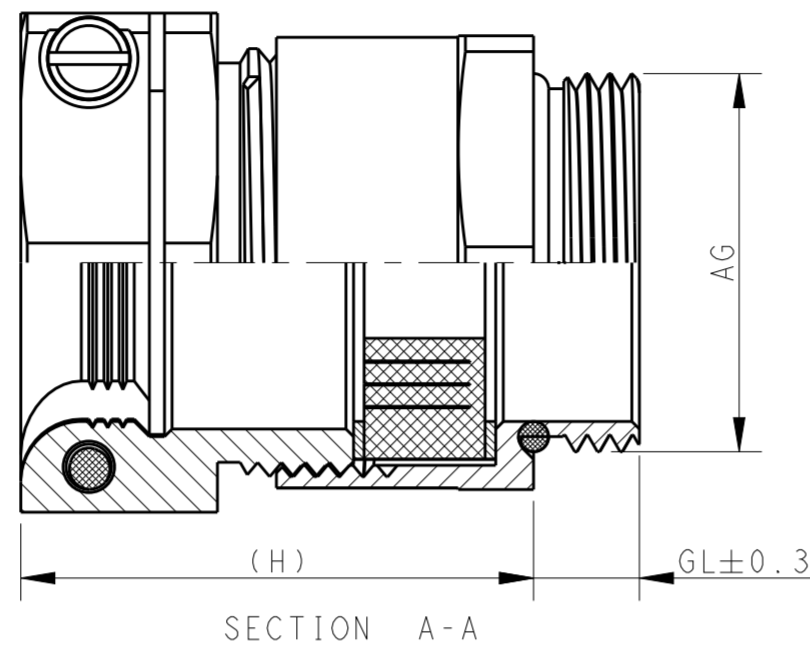
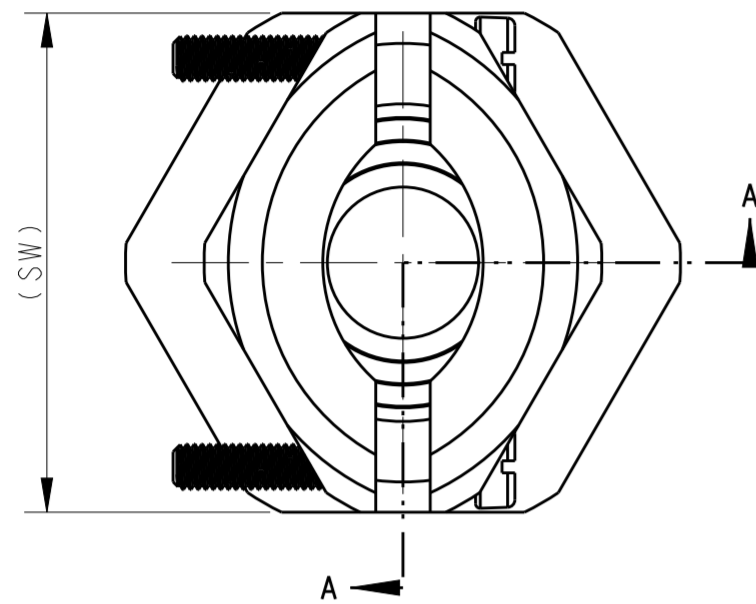


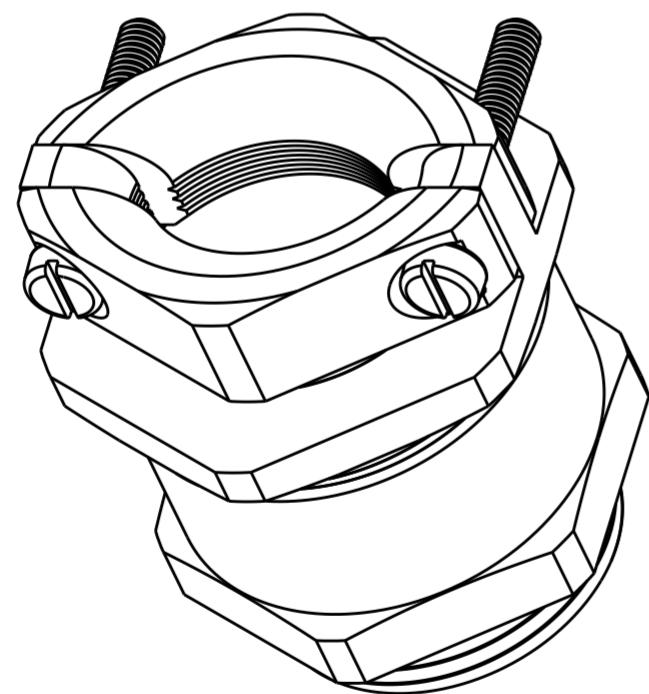
THIS DRAWING IS UNPUBLISHED. RELEASED FOR PUBLICATION 20  
 © COPYRIGHT 20 BY - ALL RIGHTS RESERVED.

REVISIONS					
P	LTR	DESCRIPTION	DATE	DWN	APVD
	A	INITIAL	23FEB2016	QY	CW
	A1	ECR-17-012965	07SEP2017	BS	CW
	A2	ECR-19-004297	21MAR2019	SR	CW



NOTE:  
 1. TECHNICAL CHARACTERISTICS:  
 BODY MATERIAL : BRASS, NICKEL PLATED  
 SEAL MATERIAL : NBR  
 PROTECTION DEGREE : IP65  
 CLAMPING RANGE : SEE TABLE

注释:  
 1. 技术参数:  
 主体材料: 黄铜, 镀镍  
 密封件: 丁腈橡胶  
 防护等级: IP65  
 夹线范围: 见表格



OBSOLETE

OBSOLETE

ASSEMBLY PART NUMBER 成品料号	ASSEMBLY PART DESCRIPTION 成品描述	PG/M THREAD PG/M制螺纹	WIRE RANGE 夹线范围	AG 螺纹大径	GL(mm) 螺纹长度	(H)	SW
T3135090101-000	ZSM-9 METAL CLAMP GLANDS WITH MUTIPLE SEAL PG9 多层夹口接头 PG9	PG9	6.5~10	15.2	6	25	19
T3135110101-000	ZSM-11 METAL CLAMP GLANDS WITH MUTIPLE SEAL PG11 多层夹口接头 PG11	PG11	7.5~12	18.6	6	26	22
T3135130101-000	ZSM-13 METAL CLAMP GLANDS WITH MUTIPLE SEAL PG13.5 多层夹口接头 PG13.5	PG13.5	8.5~13.5	20.4	6.5	26	24
T3135160101-000	ZSM-16 METAL CLAMP GLANDS WITH MUTIPLE SEAL PG16 多层夹口接头 PG16	PG16	10.5~16	22.5	6.5	28.5	26
T3135210101-000	ZSM-21 METAL CLAMP GLANDS WITH MUTIPLE SEAL PG21 多层夹口接头 PG21	PG21	13~20	28.3	7	33	33
T3135290101-000	ZSM-29 METAL CLAMP GLANDS WITH MUTIPLE SEAL PG29 多层夹口接头 PG29	PG29	19~28	37	8	36	42
T3135360101-000	ZSM-36 METAL CLAMP GLANDS WITH MUTIPLE SEAL PG36 多层夹口接头 PG36	PG36	24~34	47	9	43	50
T3135420101-000	ZSM-42 METAL CLAMP GLANDS WITH MUTIPLE SEAL PG42 多层夹口接头 PG42	PG42	34~40	54	10	43	59
T3135480101-000	ZSM-48 METAL CLAMP GLANDS WITH MUTIPLE SEAL PG48 多层夹口接头 PG48	PG48	39~46	59.3	9	48	64
T3135160121-000	ZSM-16-M METAL CLAMP GLANDS WITH MUTIPLE SEAL M16 多层夹口接头 M16	M16	6.5~10	16	6	25	19
T3135200121-000	ZSM-20-M METAL CLAMP GLANDS WITH MUTIPLE SEAL M20 多层夹口接头 M20	M20	7.5~12	20	6	26	22
T3135250121-000	ZSM-25-M METAL CLAMP GLANDS WITH MUTIPLE SEAL M25 多层夹口接头 M25	M25	13~20	25	7	33	33
T3135250121-100	ZSM-25-M METAL CLAMP GLANDS WITH MUTIPLE SEAL M25, CROSS-HEAD SCREW 多层夹口接头 M25, 十字螺丝	M25	13~20	25	7	33	33
T3135320121-000	ZSM-32-M METAL CLAMP GLANDS WITH MUTIPLE SEAL M32 多层夹口接头 M32	M32	19~28	32	8	36	42
T3135320121-100	ZSM-32-M METAL CLAMP GLANDS WITH MUTIPLE SEAL M32, CROSS-HEAD SCREW 多层夹口接头 M32, 十字螺丝	M32	19~28	32	8	36	42
T3135400121-000	ZSM-40-M METAL CLAMP GLANDS WITH MUTIPLE SEAL M40 多层夹口接头 M40	M40	24~34	40	9	43	50
T3135400121-100	ZSM-40-M METAL CLAMP GLANDS WITH MUTIPLE SEAL M40, CROSS-HEAD SCREW 多层夹口接头 M40, 十字螺丝	M40	24~34	40	9	43	50
T3135500121-000	ZSM-50-M METAL CLAMP GLANDS WITH MUTIPLE SEAL M50 多层夹口接头 M50	M50	34~40	50	10	43	59
T3135630121-000	ZSM-63-M METAL CLAMP GLANDS WITH MUTIPLE SEAL M63 多层夹口接头 M63	M63	39~46	63	9	48	64

THIS DRAWING IS A CONTROLLED DOCUMENT.

DWN 23FEB2016  
 QIANG YUAN  
 CHK 23FEB2016  
 KYLE ZENG  
 APVD 23FEB2016  
 CHRIS WANG

**STE** TE Connectivity

DIMENSIONS:		TOLERANCES UNLESS OTHERWISE SPECIFIED:	
mm		0 PLC	±
		1 PLC	±
		2 PLC	±
		3 PLC	±
		4 PLC	±
		ANGLES	±
		FINISH	

PRODUCT SPEC	
APPLICATION SPEC	
WEIGHT	
CUSTOMER DRAWING	

NAME		METAL CLAMP GLANDS WITH MUTIPLE SEAL	
SIZE	CAGE CODE	DRAWING NO	RESTRICTED TO
A2	00779	C-T3135XX01X1X00	
SCALE	2:1	SHEET	1 OF 1
REV	A2		