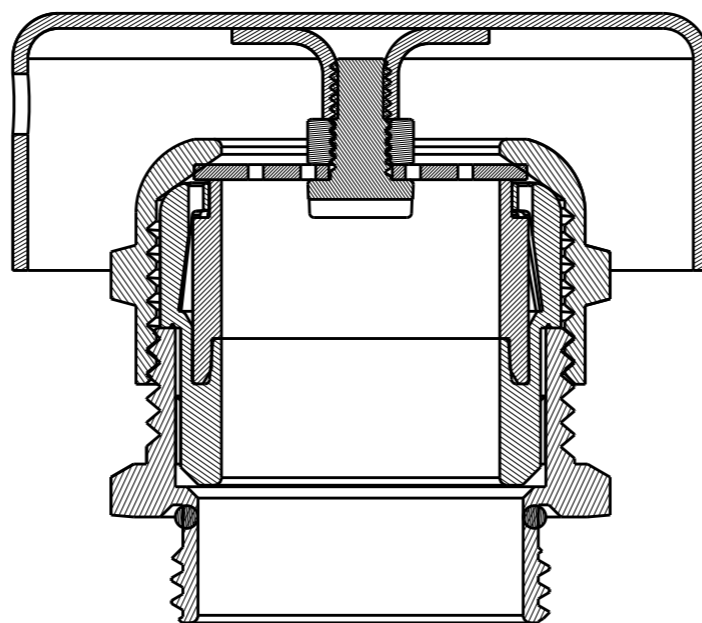
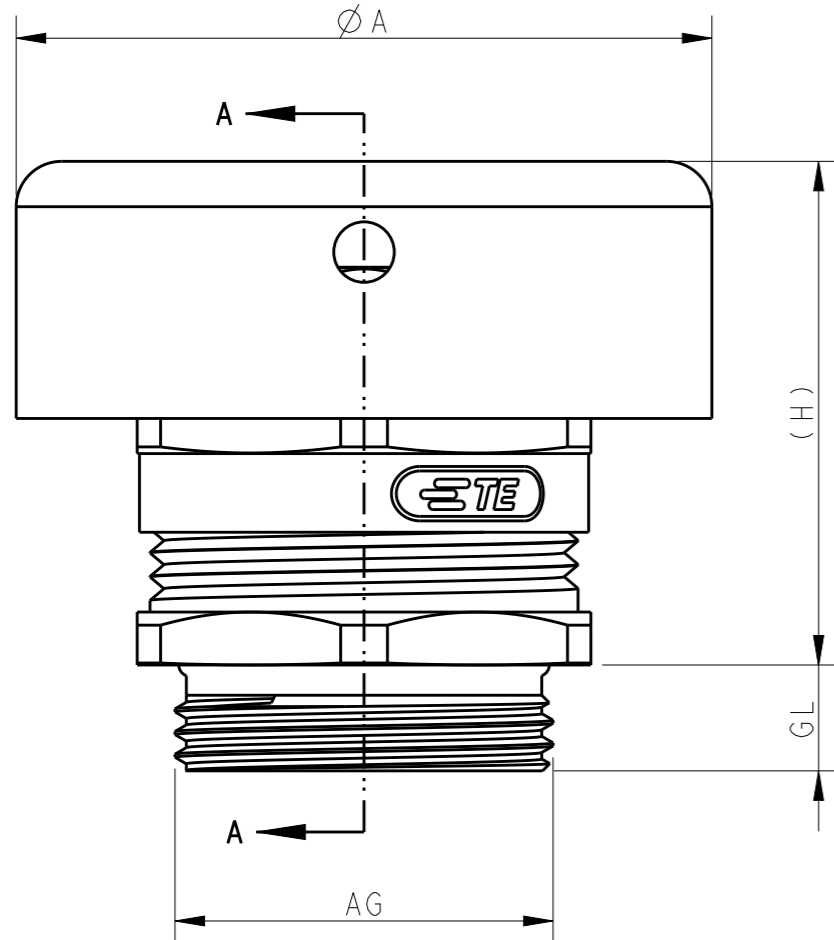


REVISIONS

P	LTR	DESCRIPTION	DATE	DWN	APVD
	A	INITIAL RELEASE	12AUG2016	DL	CW



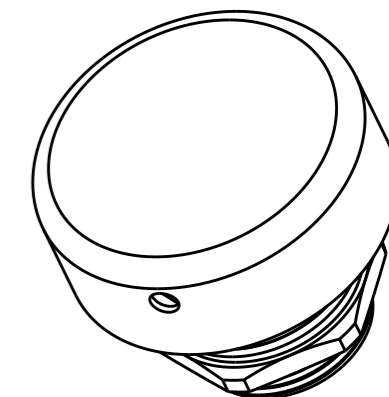
SECTION A-A

NOTES:

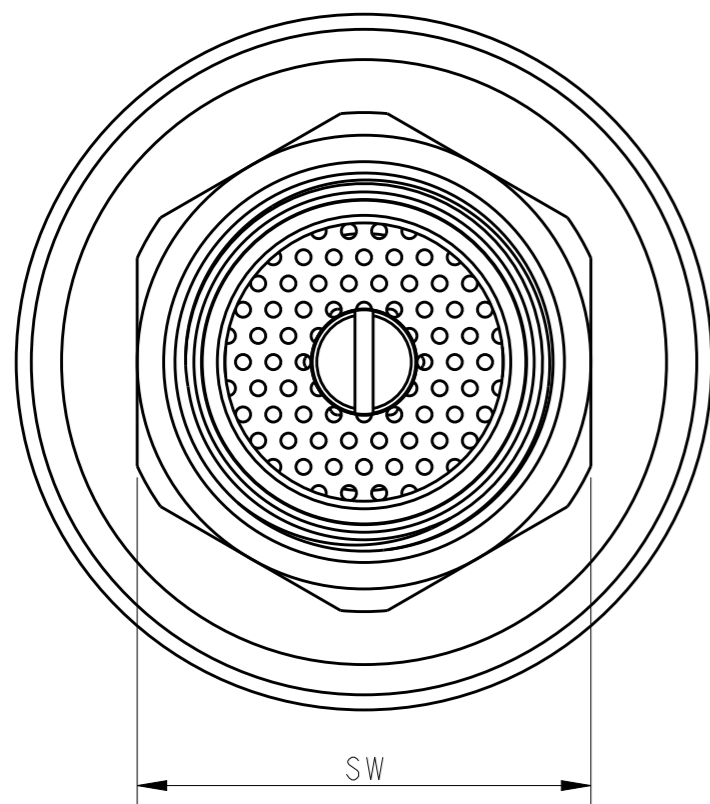
- 1. TECHNICAL CHARACTERISTICS:
 BODY MATERIAL: BRASS WITH Ni PLATED
 O-RING MATERIAL: NBR
 COVER MATERIAL: STAINLESS STEEL

注释:

- 1. 技术参数:
 主体材料: 铜镀镍
 O型圈材料: NBR
 盖子材料: 不锈钢



SCALE 1:1



T3900210001-000	VA-21-MS	AIR VENT METAL BLIND PLUG, PG21 金属排气堵头(呼吸器) PG21	PG21	7	30	46	32.3
T3900250250-000	VA-25-M	AIR VENT METAL BLIND PLUG, M25, LENGTHEN 金属排气堵头(呼吸器) M25, 加长型	M25	12	30	46	32.3
T3900250050-000	VA-25-M	AIR VENT METAL BLIND PLUG, M25 金属排气堵头(呼吸器) M25	M25	7	30	46	32.3
PART NUMBER 料号	ASSEMBLY PART DESCRIPTION 成品描述	AG	GL	SW	A	H	

THIS DRAWING IS A CONTROLLED DOCUMENT.

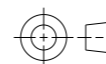
DWN 12AUG2016
DAVID LI
CHK 12AUG2016
CHRIS WANG
APVD 12AUG2016
XIANG XU



AIR VENT METAL BLIND PLUGS

DIMENSIONS:

mm



TOLERANCES UNLESS OTHERWISE SPECIFIED:

0 PLC	±-
1 PLC	±-
2 PLC	±-
3 PLC	±-
4 PLC	±-
ANGLES	±-

MATERIAL

FINISH

PRODUCT SPEC

APPLICATION SPEC

WEIGHT

SIZE A3 CAGE CODE - DRAWING NO. ©-T3900XXXXXX000 RESTRICTED TO -

CUSTOMER DRAWING

SCALE 2:1 SHEET 1 OF 1 REV A