

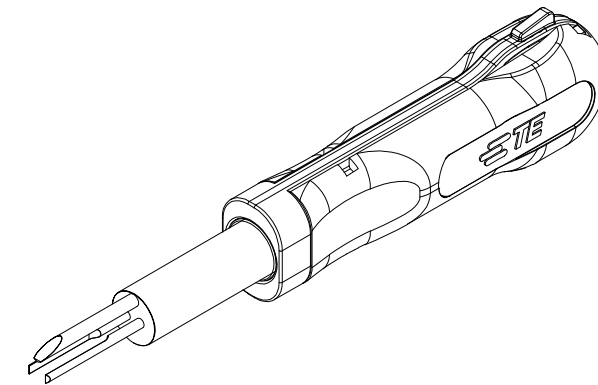
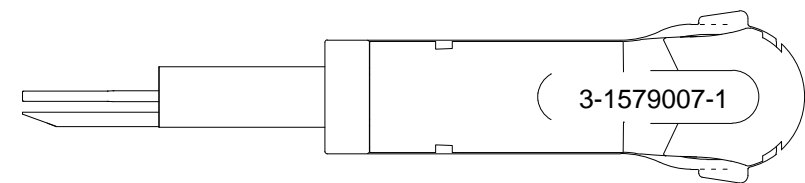
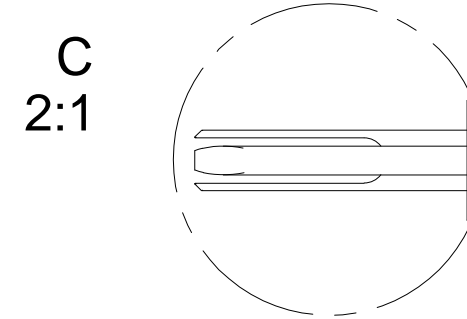
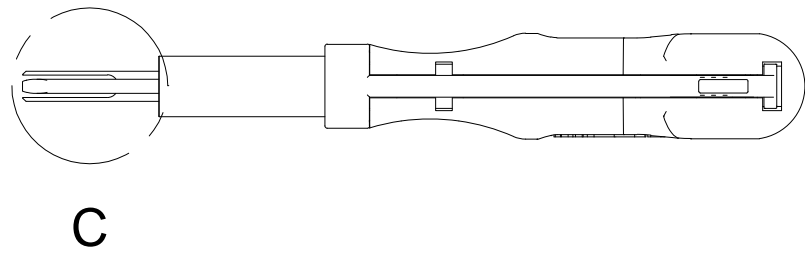
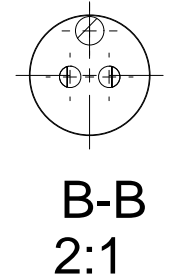
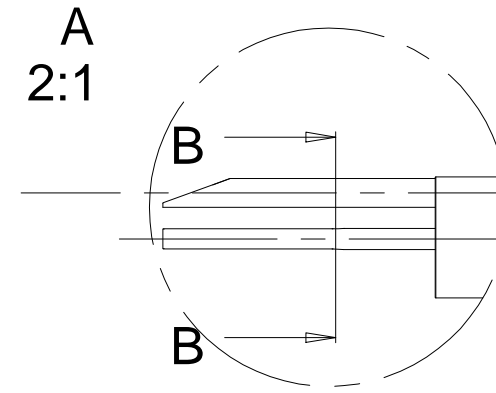
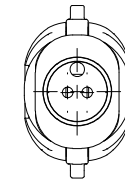
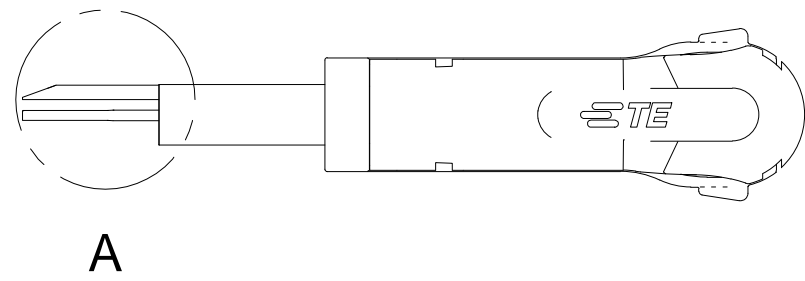
THIS DRAWING IS UNPUBLISHED.

RELEASED FOR PUBLICATION

© COPYRIGHT - BY TYCO ELECTRONICS CORPORATION.

ALL INTERNATIONAL RIGHTS RESERVED.

LOC	DIST	REVISIONS					
		P	LTR	DESCRIPTION	DATE	DWN	APVD
—	—		A2	ECR-19-013613	03SEP2019	PNT	GS



FOR CONTACTS / HOUSINGS:

JPT (in relay holder)

THIS DRAWING IS A CONTROLLED DOCUMENT.		DWN	06.11.2006		STE TE Connectivity
		CHK	m.pearson		
DIMENSIONS: mm		TOLERANCES UNLESS OTHERWISE SPECIFIED:		APVD	NAME
		0 PLC	± -	PRODUCT SPEC	EXTRACTION TOOL Entriegelungswerkzeug
		1 PLC	± -	APPLICATION SPEC	
MATERIAL		2 PLC	± -	WEIGHT	SIZE
FINISH		3 PLC	± -	23g	CAGE CODE
		4 PLC	± -		DRAWING NO
		ANGLES	± -		RESTRICTED TO
					—
					SCALE
					1:1
					SHEET
					1 OF 1
					REV
					A2
					CUSTOMER DRAWING