

4

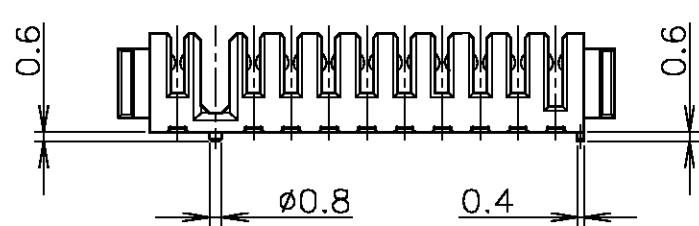
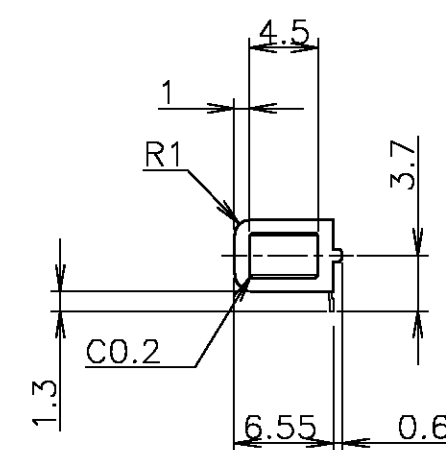
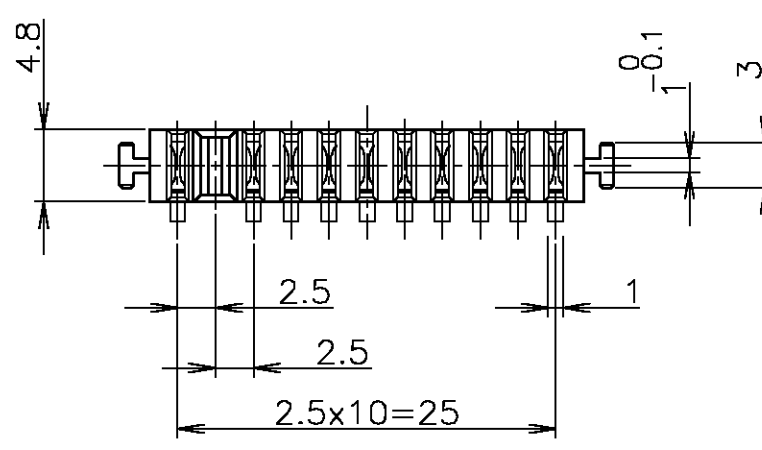
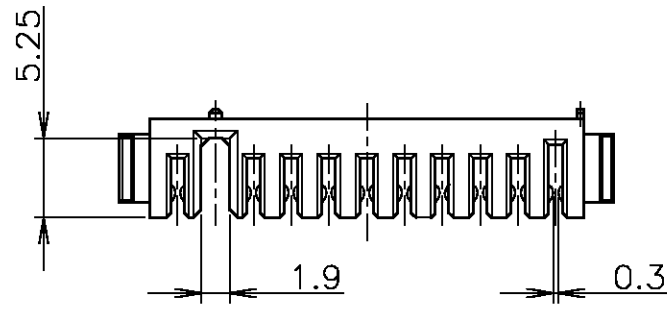
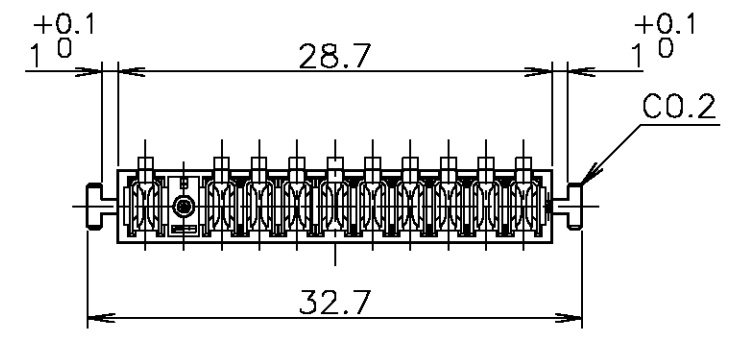
3

2

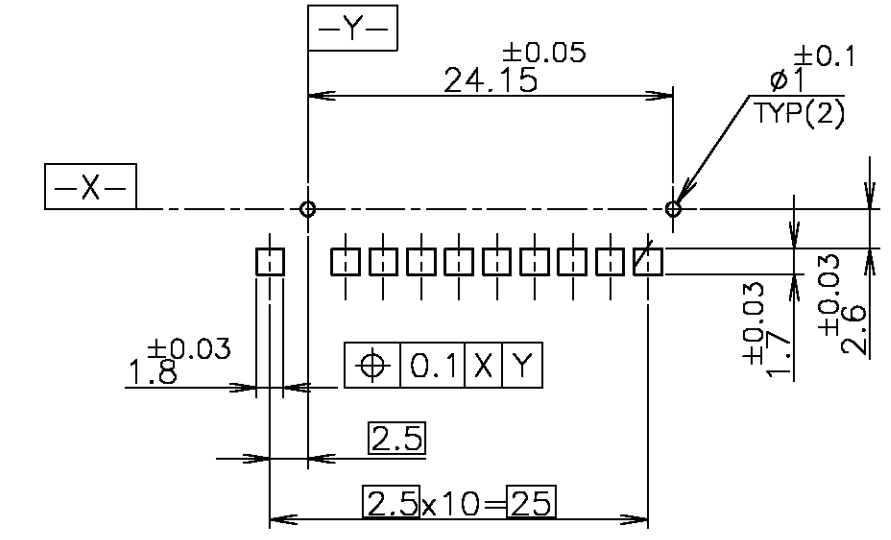
1

THIS DRAWING IS UNPUBLISHED. RELEASED FOR PUBLICATION DEC, 2001.
 © COPYRIGHT 2001 BY TYCO ELECTRONICS CORPORATION. ALL RIGHTS RESERVED.

LOC	DIST	REVISIONS					
J	/	P	LTR	DESCRIPTION	DATE	DWN	APVD
		B	REVISED	FJB0-0250-04	12MAR04	T.K	K.I



鉛フリー
LEAD FREE



基板取付参考寸法
 REFERENCE P.C. BOARD LAYOUT
 P.C. BOARD THK 0.8~1.2
 (VIEW FROM CONNECTOR MOUNTING SIDE)

- △ 材料
 - ・ハウジング：6Tナイロン、UL94V-0、黒
 - ・コンタクト：銅合金
- △ 仕上げ
 - ・コンタクト：ニッケル下地めっき 2μm以上
 - 接触部 金めっき 0.3μm以上
 - 半田付け部 錫めっき 2~5μm
- △ MATERIAL
 - ・HOUSING: 6T NYLON, UL94V-0, BLACK
 - ・CONTACT: COPPER ALLOY
- △ FINISH
 - ・CONTACT: Ni ALL OVER UNDER PL. 2μm MIN.
 - GOLD PL. 0.3μm MIN. AT CONTACT AREA
 - TIN PL. 2~5μm AT LEAD AREA

1565860-1:AS SHOWN

THIS DRAWING IS A CONTROLLED DOCUMENT.		DWN T.KATANO 13DEC01	tyco Tyco Electronics AMP K.K.	
DIMENSIONS: 単位：mm		CHK K.IKEGAMI 13DEC01	Electronics Kawasaki, Japan	
TOLERANCES UNLESS OTHERWISE SPECIFIED: 一般公差		APVD T.YAMADA 13DEC01	NAME 2.5mm PITCH BATTERY CONNECTOR RECEPTACLE ASSEMBLY (10P)	
0 PLC ± 0.3	1 PLC ± 0.3	PRODUCT SPEC 製品規格 108-5775	SIZE A3	
2 PLC ± 0.3	3 PLC ± 0.3	APPLICATION SPEC 取付適用規格	CAGE CODE 00779	DRAWING NO C-1565860
4 PLC ± 0.3	ANGLES ± 3'	WEIGHT 1.1g	RESTRICTED TO	
MATERIAL 材料	FINISH 仕上	CUSTOMER DRAWING		
		SCALE 尺度 2:1	SHEET 1 OF 1	REV B