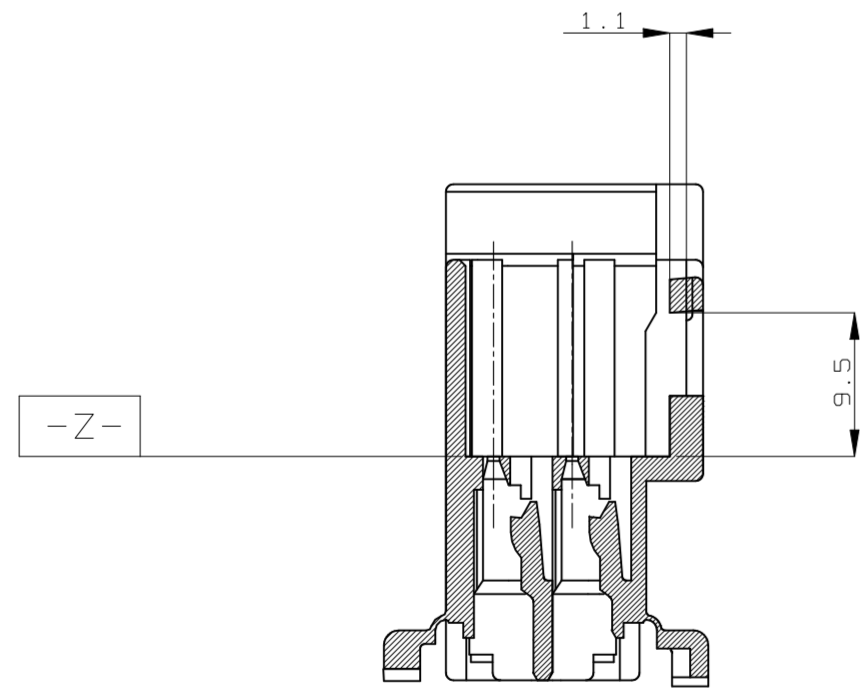
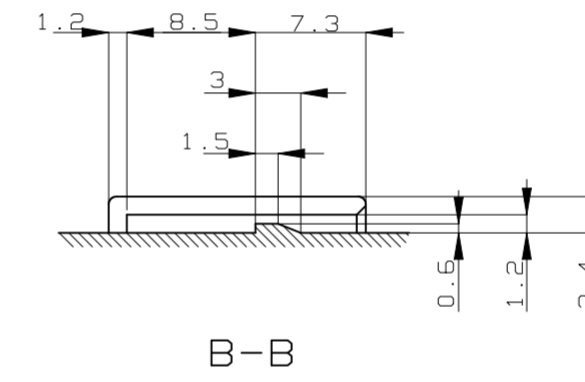
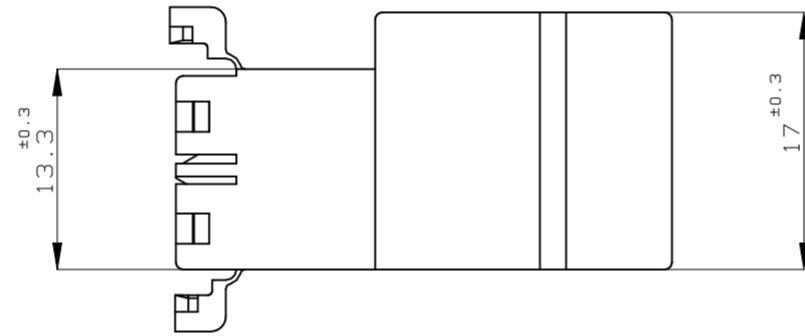
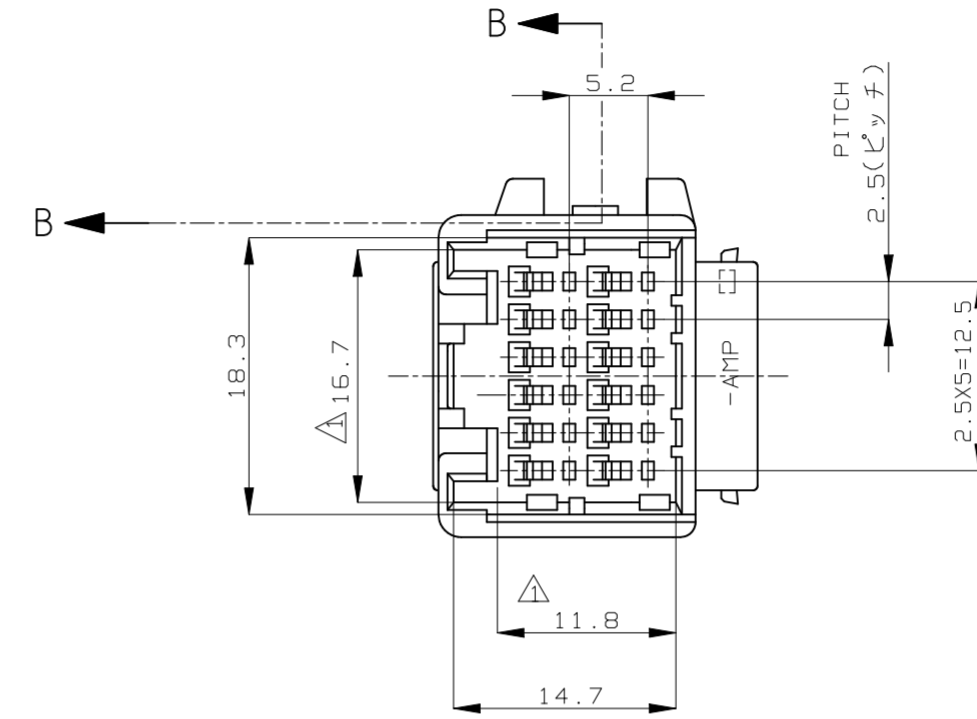
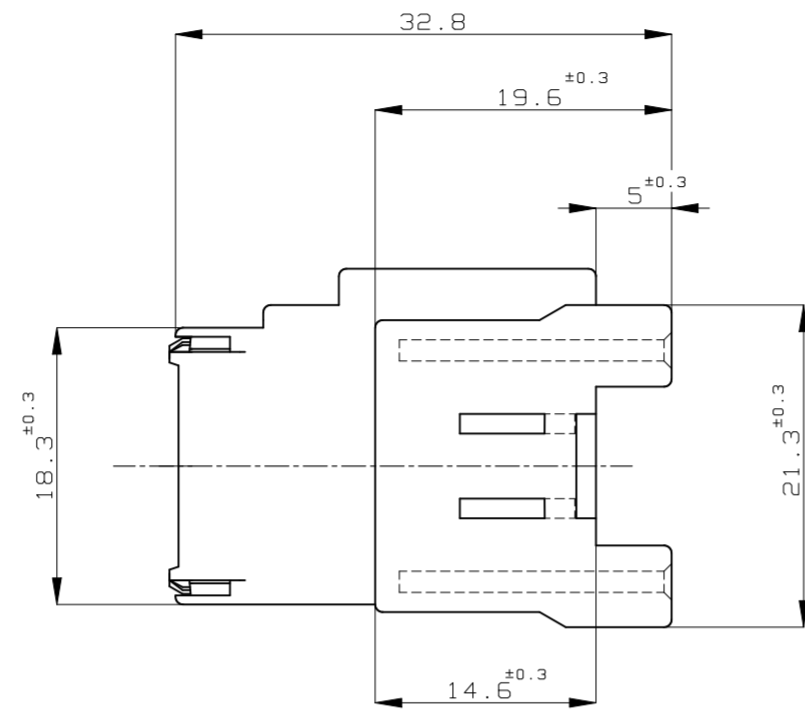
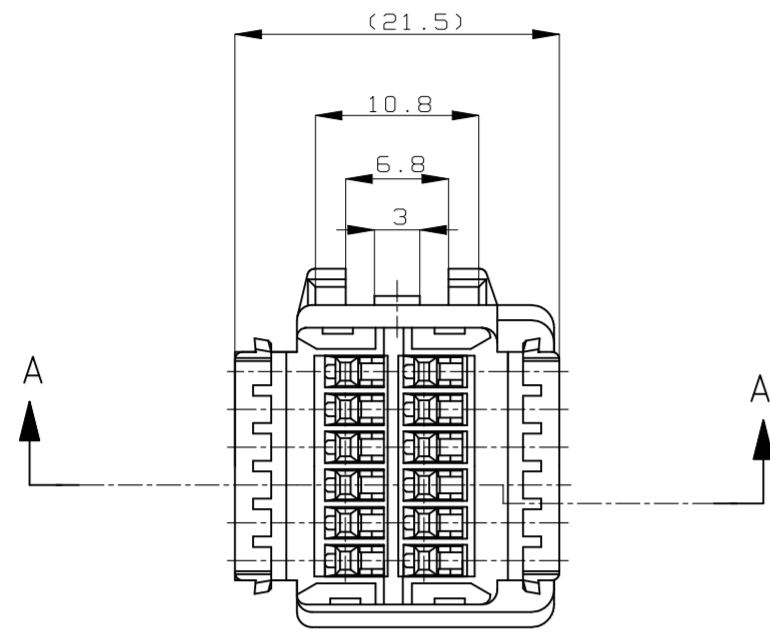
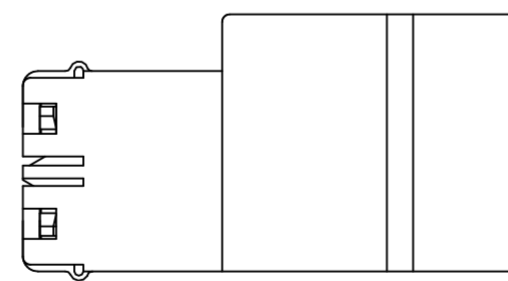


REVISIONS					
P	LTR	DESCRIPTION	DATE	DWN	APVD
A4	REVISED	ECR-23-185274	04SEP2023	AG	RK



A-A



二重ロック時  
DOUBLE LOCKED

- 1. TO BE MEASURED WITHIN 2mm FROM -Z-
- 2. APPLICABLE TERMINAL NO. 173682
- 3. THE MATING PLUG HOUSING NUMBER: 174045

- 1. -Z- 面から2mmの範囲で測定
- 2. 適用端子型番: 173682
- 3. 嵌合相手ハウジング型番: 174045

OBSELETE	色 (COLOR)	製品型番 (PART NO.)
	青 (BLUE)	174058-5
	緑 (GREEN)	174058-4
	黒 (BLACK)	174058-2
	色 (COLOR)	製品型番 (PART NO.)

TOLERANCE UNLESS OTHERWISE SPECIFIED: 一般公差	
0 <= x <= 10	: ±0.2
10 <= x <= 30	: ±0.25
30 <= x <= 100	: ±0.3
ANGLE	: ±3°

THIS DRAWING IS A CONTROLLED DOCUMENT.		DWN M.SUGAWARA 04AUG06	TE Connectivity 12POSITION CAP HOUSING 040SERIES MULTI-LOCK CONNECTOR	
DIMENSIONS: 単位: 精 mm		CHK K.BETSUI 04AUG06		
TOLERANCES UNLESS OTHERWISE SPECIFIED: 一般公差		APVD K.BETSUI 04AUG06	NAME 174058-5352	
0 PLC ± 1 PLC ±- 2 PLC ±- 3 PLC ±- 4 PLC ±- ANGLES ±-		PRODUCT SPEC 製品規格	DRAWING NO 番号 C=174058	
MATERIAL 材料 PBT		FINISH 仕上 SEE TABLE	WEIGHT 0.000000	RESTRICTED TO
		CUSTOMER DRAWING	SCALE 2:1	SHEET 1 OF 1
			REV A4	