

4

3

2

1

THIS DRAWING IS UNPUBLISHED.

RELEASED FOR PUBLICATION

© COPYRIGHT BY TYCO ELECTRONICS CORPORATION. ALL RIGHTS RESERVED.

LOC

DIST

REVISIONS

変更

P

LTR

DESCRIPTION

DATE

DWN

APVD

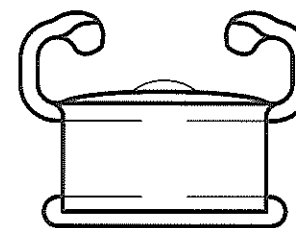
A

RELEASED

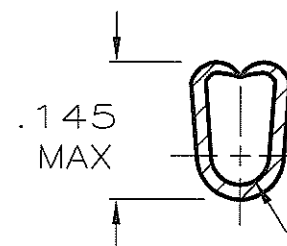
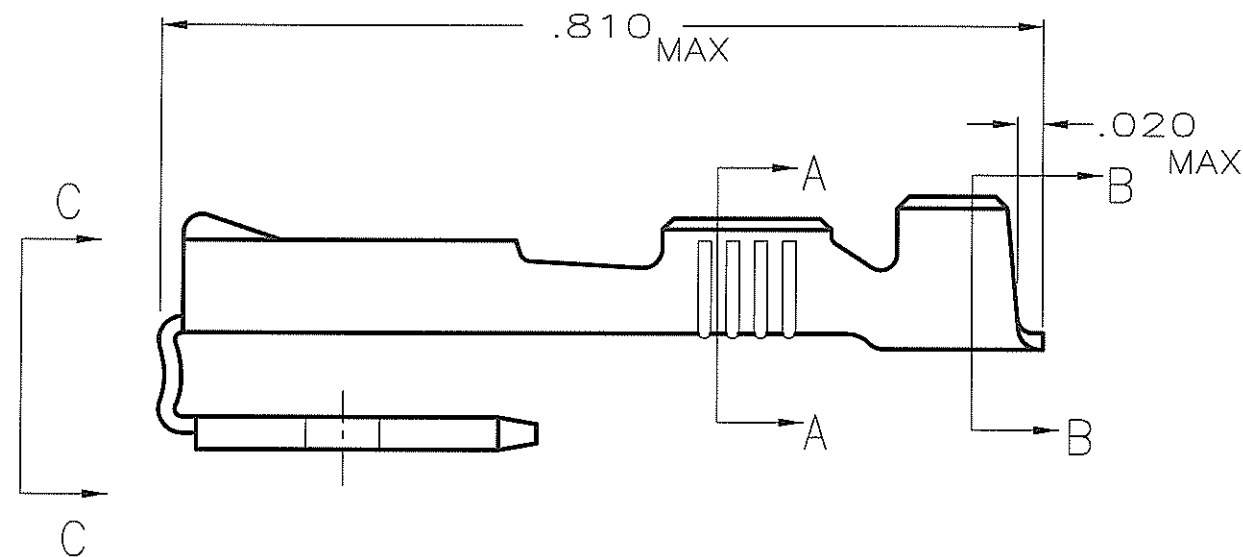
14OCT2008

Y.Y

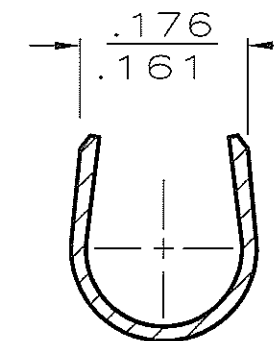
A.O



VIEW C-C



SECTION A-A

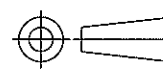


SECTION B-B

.078 DIA PIN  
MUST ENTER

THIS DRAWING IS A CONTROLLED DOCUMENT.

DIMENSIONS:  
単位: 寸  
mm



TOLERANCES UNLESS  
OTHERWISE SPECIFIED:  
一般公差

- 0 PLC ± -
- 1 PLC ± -
- 2 PLC ± -
- 3 PLC ± .015
- 4 PLC ± -
- ANGLES ± -

MATERIAL  
材料  
COPPER ALLOY

FINISH  
仕上  
TIN-PLATING

.120 ~ .170		AWG #18-14	42806-2
INSULATION RANGE		WIRE RANGE	PART NUMBER
DWN Y.YAMADA 14OCT2008	Tyco Electronics Corporation Kawasaki, Japan		NAME 名称 .250 SERIES FASTON RECEPTACLE
CHK A.OOISHI 14OCT2008	APVD A.OOISHI 14OCT2008		
PRODUCT SPEC 製品規格		SIZE A3	CAGE CODE 00779
APPLICATION SPEC 取付適用規格		DRAWING NO 番号 C-42806	
WEIGHT -		RESTRICTED TO -	
CUSTOMER DRAWING		SCALE 尺度 6:1	SHEET 1 OF 1
		REV A	