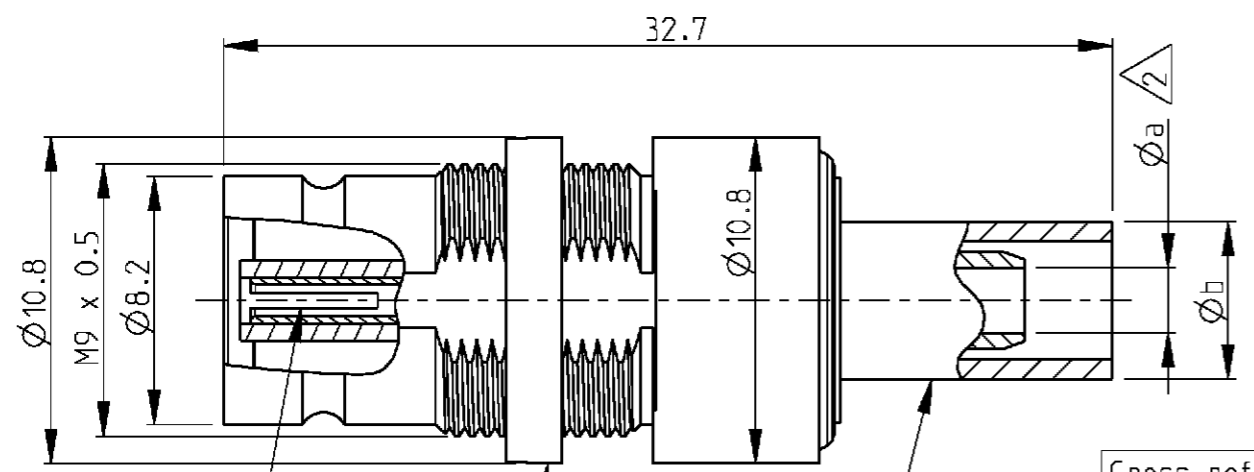


THIS DRAWING IS UNPUBLISHED. RELEASED FOR PUBLICATION 2000  
 © COPYRIGHT 2000 BY TYCO ELECTRONICS CORPORATION. ALL RIGHTS RESERVED.

LOC	DIST	REVISIONS				
P	LTR	DESCRIPTION	DATE	DWN	APVD	
GW	-	A	-	5APR2001	BL	KM
		A1	REVISED PER ECO-09-026495	30NOV09	KK	AEG



Cross reference table								
Old part number	Tyco part number	Description	Material	Plating	Cable type	Appl spec	Øa	Øb
V23612-D609-G32	<del>2-1393672-0</del>	Outer conductor	Brass	1 µm Au min in contact area	TR-SP 109	114-71029	3.8	8.2
		Center conductor	CuBe	1 µm Au min in contact area				
		Dielectric	PEEK/PC	-				
V23612-C609-G69	<del>1-1393672-9</del>	Outer conductor	Brass	1 µm Au min in contact area	TR-SP 119	114-71029	2.95	8.18
		Center conductor	CuBe	1 µm Au min in contact area				
		Dielectric	PEEK/PC	-				
V23612-C609-G34A	1-1393672-8	Outer conductor	Brass	1 µm Au min in contact area	TR-SP 127 TR-SP 128	114-71029	2.35	6.4
		Center conductor	CuBe	1 µm Au min in contact area				
		Dielectric	PEEK/PC	-				
V23612-C609-G34	<del>1-1393672-7</del>	Outer conductor	Brass	1 µm Au min in contact area	TR-SP 127 TR-SP 128	114-71029	2.35	6.4
		Center conductor	CuBe	1 µm Au min in contact area				
		Dielectric	PEEK/PC	-				
V23612-B602-G76	1-1393672-4	Outer conductor	Brass	1 µm Au min in contact area	02Y (St) CY 0.45/2.0	114-71021	2.15	5.2
		Center conductor	CuBe	1 µm Au min in contact area				
		Dielectric	PEEK/PC	-				

**6** OBSOLETE PARTS: OBSOLETE CIS STREAMLINING PER D.RENAUD/D.SINISI

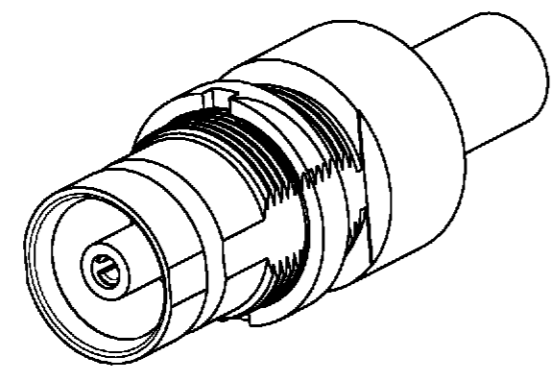
**5** Packed in tray

4) Mating face according to DIN 47295/CECC 22240

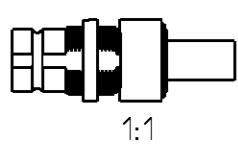
3) Construction : 3 components principle.

**2** Minimum dimension.

**1** Supplied as loose part



3:1



1:1

THIS DRAWING IS A CONTROLLED DOCUMENT FOR TYCO ELECTRONICS CORPORATION. IT IS SUBJECT TO CHANGE AND THE CONTROLLING ENGINEERING ORGANIZATION SHOULD BE CONTACTED FOR THE LATEST REVISION.

DIMENSIONS: mm	TOLERANCES UNLESS OTHERWISE SPECIFIED:	DWN 26FEB2001 B. Lenvain	Tyco Electronics Oostkamp - Belgium
	0 PLC ± 1 PLC ± 2 PLC ± 3 PLC ± 4 PLC ± ANGLES ±	CHK 5APR2001 K. Mattheeuws	
		APVD 5APR2001 R. Leeman	
MATERIAL --	FINISH -	PRODUCT SPEC -	NAME Cable jack 1.6/5.6 75 ohm
		APPLICATION SPEC See table	SIZE A3
		WEIGHT -	CAGE CODE 00779
		CUSTOMER DRAWING	DRAWING NO C-1-1393672-4
			RESTRICTED TO -
			SCALE 4/1
			SHEET 1 OF 1
			REV A1