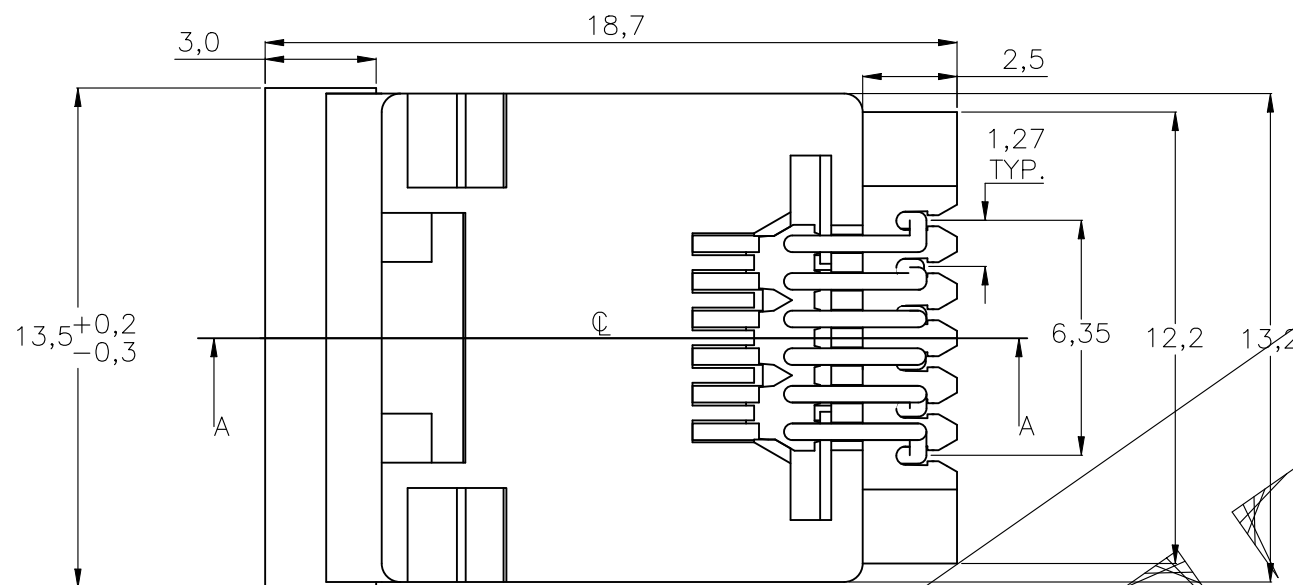
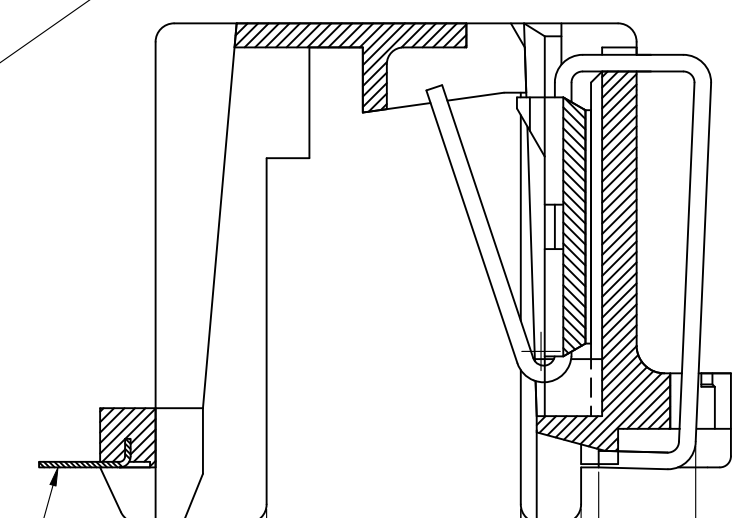
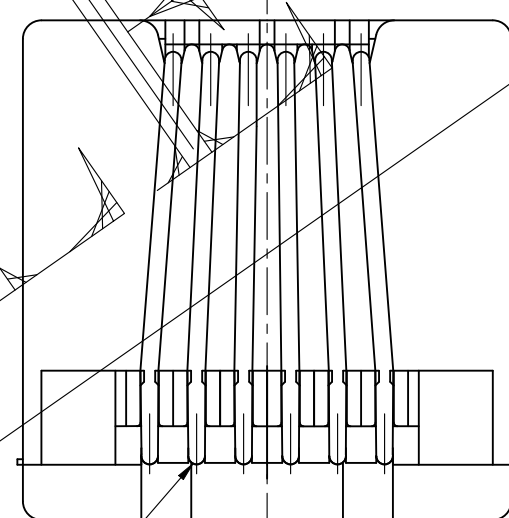
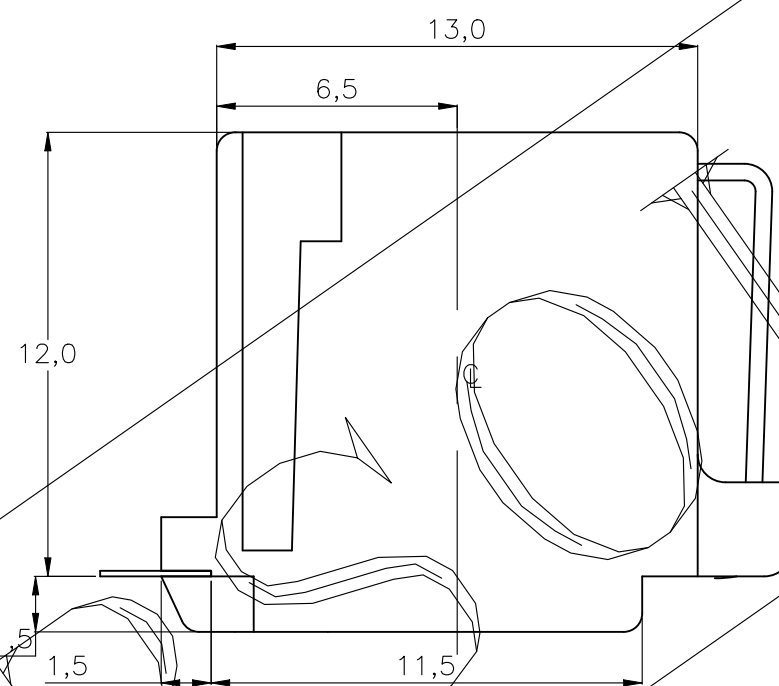
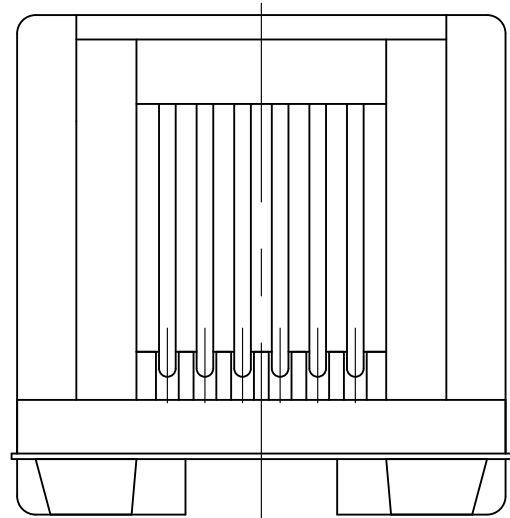


REVISIONS

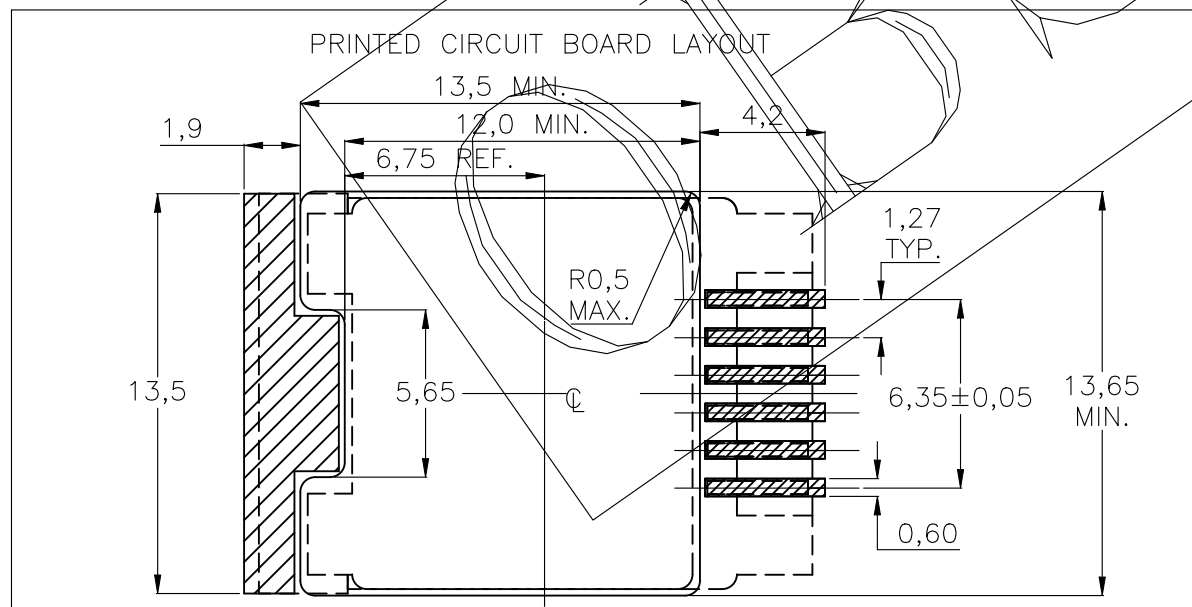
P	LTR	DESCRIPTION	DATE	DWN	APVD
N		REVISED AS PER ECR-23-183307	04AUG2023	JK	WH
M		ECR-06-013127	31-05-06	MO	-
M1		ECR-08-012368	06-07-08	AEG	WRV



- NOTES:
1. TOLERANCES UNLESS OTHERWISE SPECIFIED: ± 0.15
 2. CONTACTS:
1.25 μ m MIN. GOLD OVER 1.25 μ m MIN. NICKEL IN CONTACT AREA.
2.0 μ m MIN. TIN OVER 1.25 μ m MIN. NICKEL ON SOLDER TINES.
 3. HOUSING:
30% G.F. PA 4.6, COLOR BLACK, UL 94V-0
 4. CONTACTS:
PHOSPHOR BRONZE
ADDITIONAL SOLDERJOINT:
TIN PLATED BRASS
 5. MODULAR JACKS ARE DELIVERED TAPE MOUNTED ON REEL. SEE SHEET 2.
 6. PRODUCT SPECIFICATION: 108-19117.
APPLICATION SPECIFICATION: 114-19041.
SOLDER PASTE THICKNESS 0,15mm (=0.006") MIN.



SECTION A-A



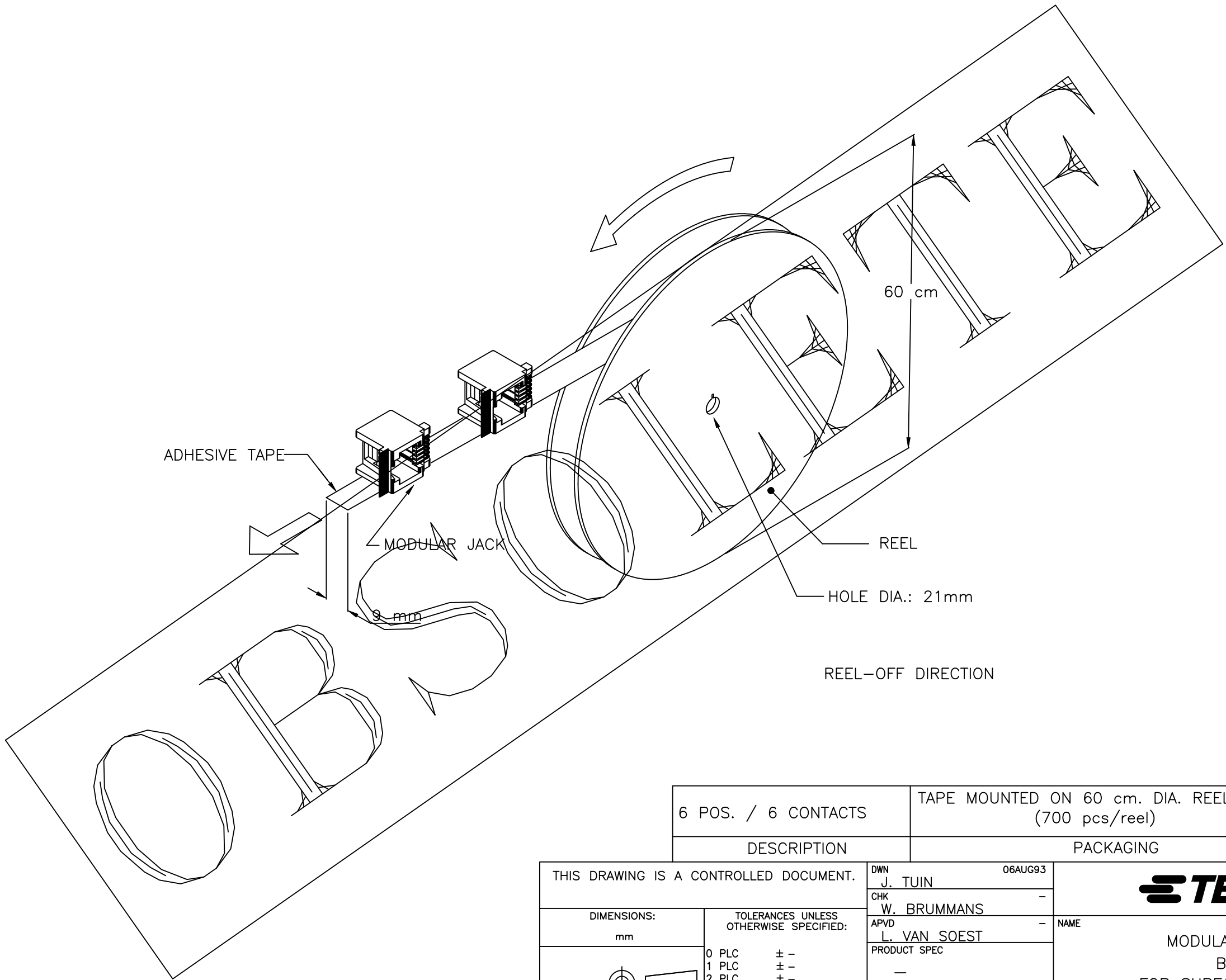
DESCRIPTION	FINISH	MATERIAL	PARTNUMBER
THIS DRAWING IS A CONTROLLED DOCUMENT.	2	3	SEE SHEET 2
DWN D.CAMPSCHROER			
CHK W. BRUMMANS			
APVD L. VAN SOEST			
PRODUCT SPEC			
APPLICATION SPEC			
WEIGHT			
SEE TABLE	SEE TABLE		
CUSTOMER DRAWING		SCALE NTS	SHEET 1 of 4



MODULAR JACK, 6 POSITION
BOTTOM ENTRY
FOR SURFACE MOUNT APPLICATION

SIZE A3	CAGE CODE 00779	DRAWING NO C=100860	RESTRICTED TO -
------------	--------------------	------------------------	--------------------

REVISIONS				
P	LTR	DESCRIPTION	DATE	APVD
-	-	SEE SHEET 1	-	-

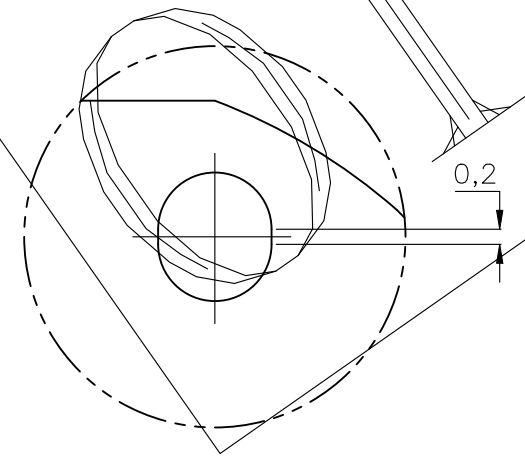
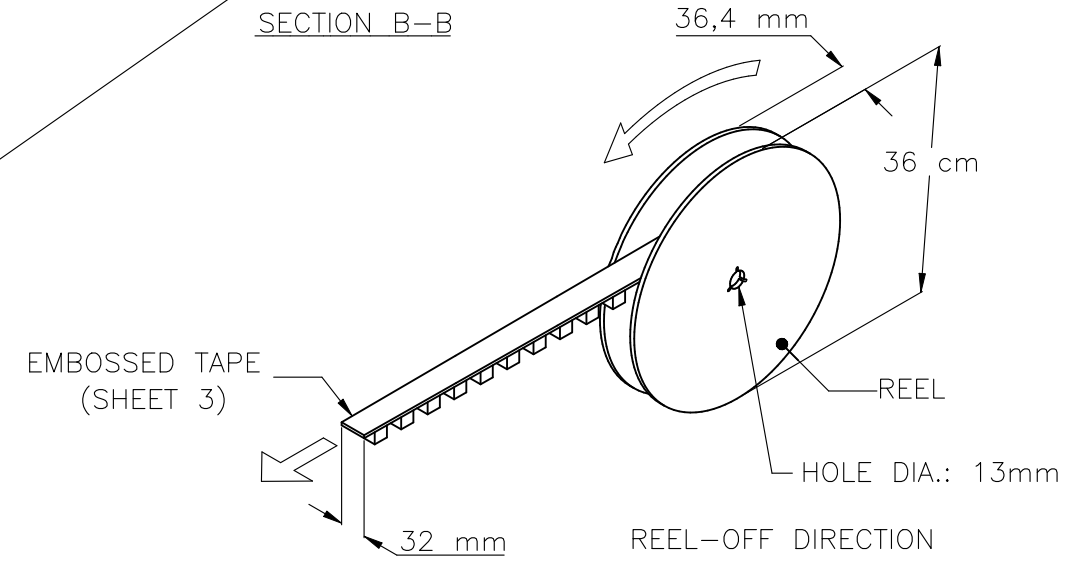
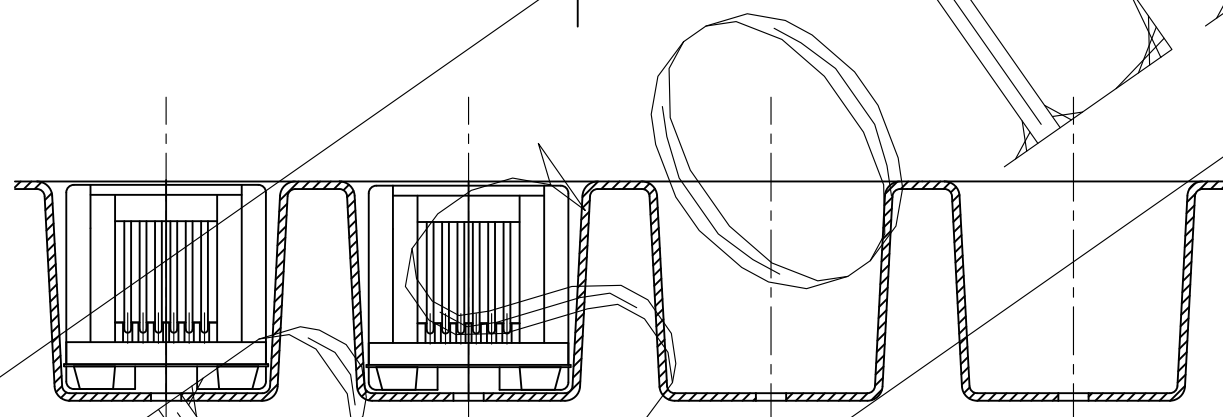
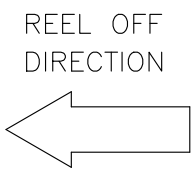
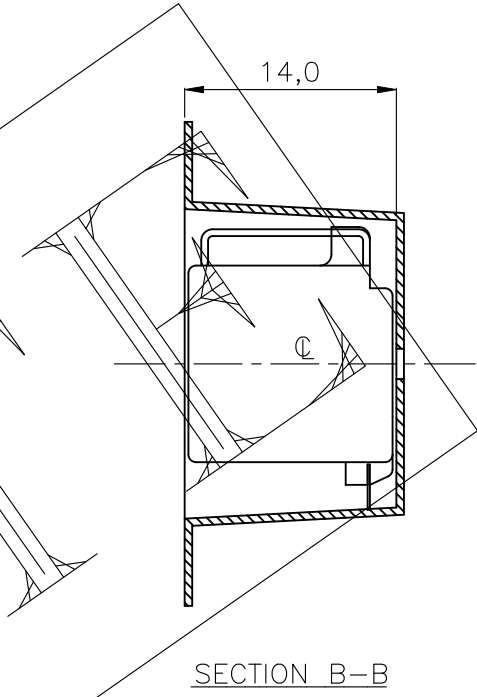
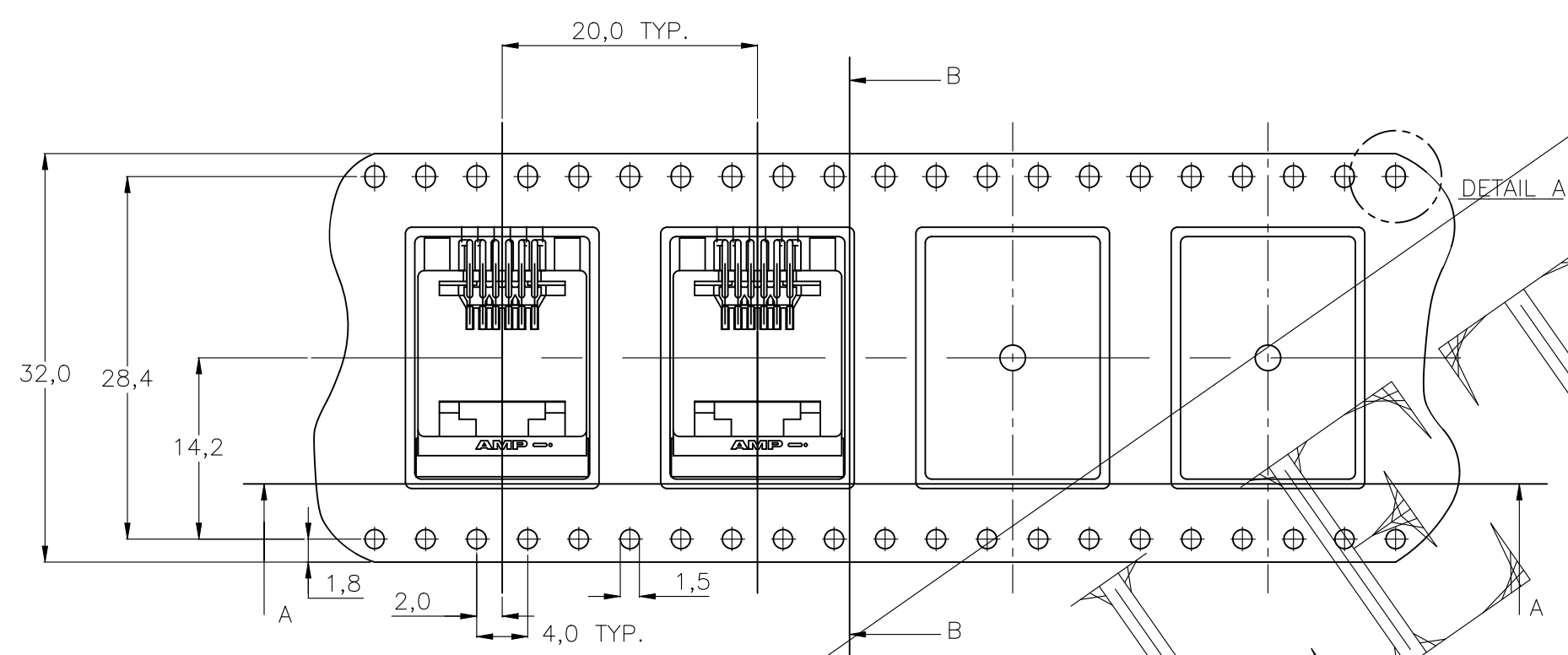


6 POS. / 6 CONTACTS	TAPE MOUNTED ON 60 cm. DIA. REEL (700 pcs/reel)	100860-1
DESCRIPTION	PACKAGING	PARTNUMBER

THIS DRAWING IS A CONTROLLED DOCUMENT.		DWN J. TUIN	06AUG93		
DIMENSIONS: mm		CHK W. BRUMMANS	-		
TOLERANCES UNLESS OTHERWISE SPECIFIED:		APVD L. VAN SOEST	-	NAME	
<ul style="list-style-type: none"> 0 PLC ± - 1 PLC ± - 2 PLC ± - 3 PLC ± - 4 PLC ± - ANGLES ± - 		PRODUCT SPEC	-	MODULAR JACK, 6 POSITION BOTTOM ENTRY FOR SURFACE MOUNT APPLICATION	
MATERIAL		APPLICATION SPEC	-	SIZE	RESTRICTED TO
FINISH		WEIGHT	-	A3	-
		CUSTOMER DRAWING		CAGE CODE	DRAWING NO
				00779	©=100860
				SCALE	SHEET
				NTS	2 of 4
				REV	N

REVISIONS					
P	LTR	DESCRIPTION	DATE	DWN	APVD
-	-	SEE SHEET 1	-	-	-

D
C
B
A



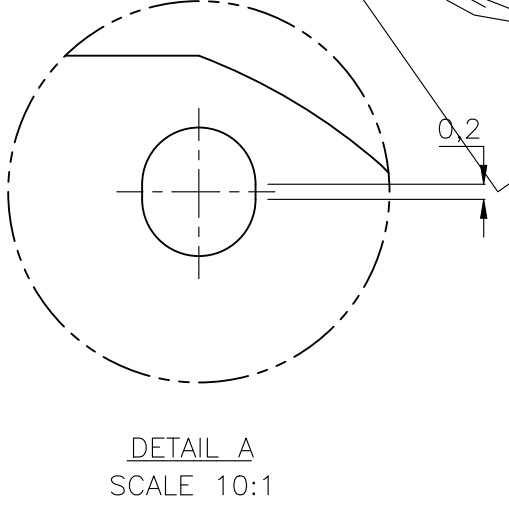
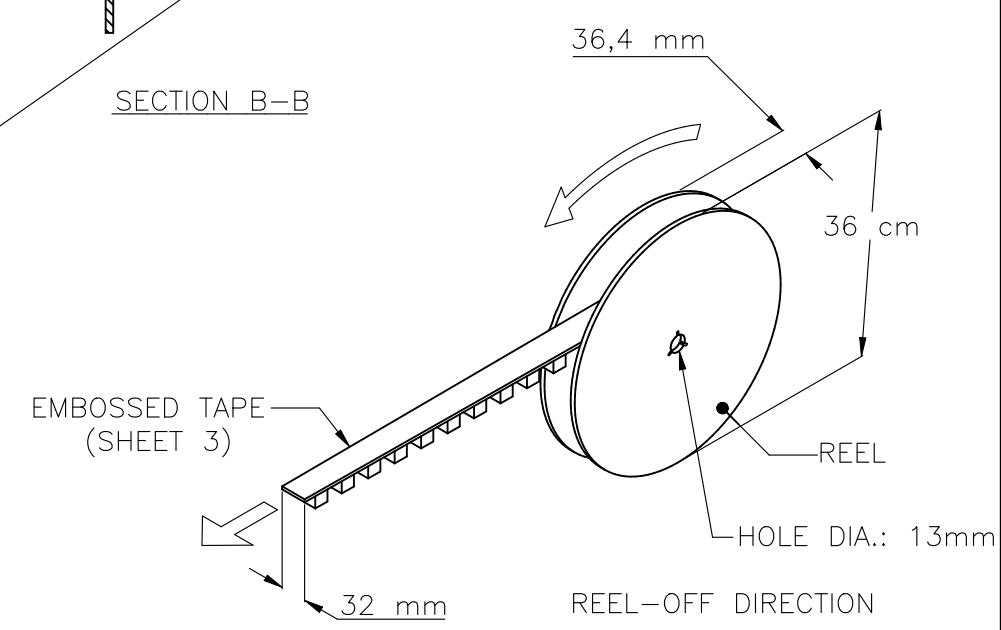
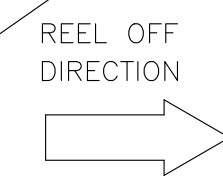
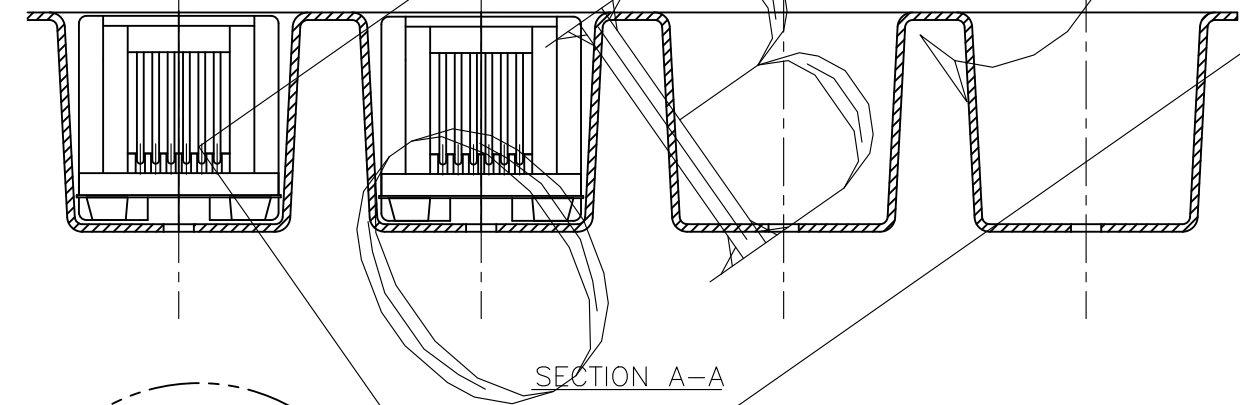
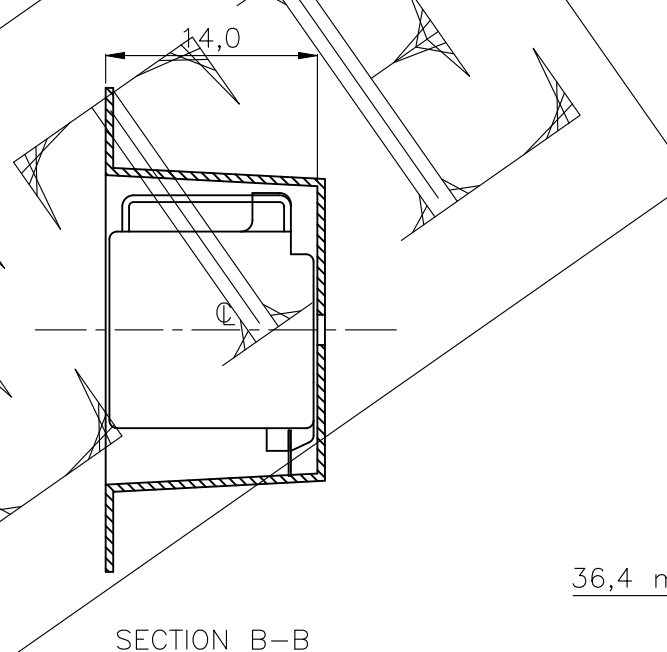
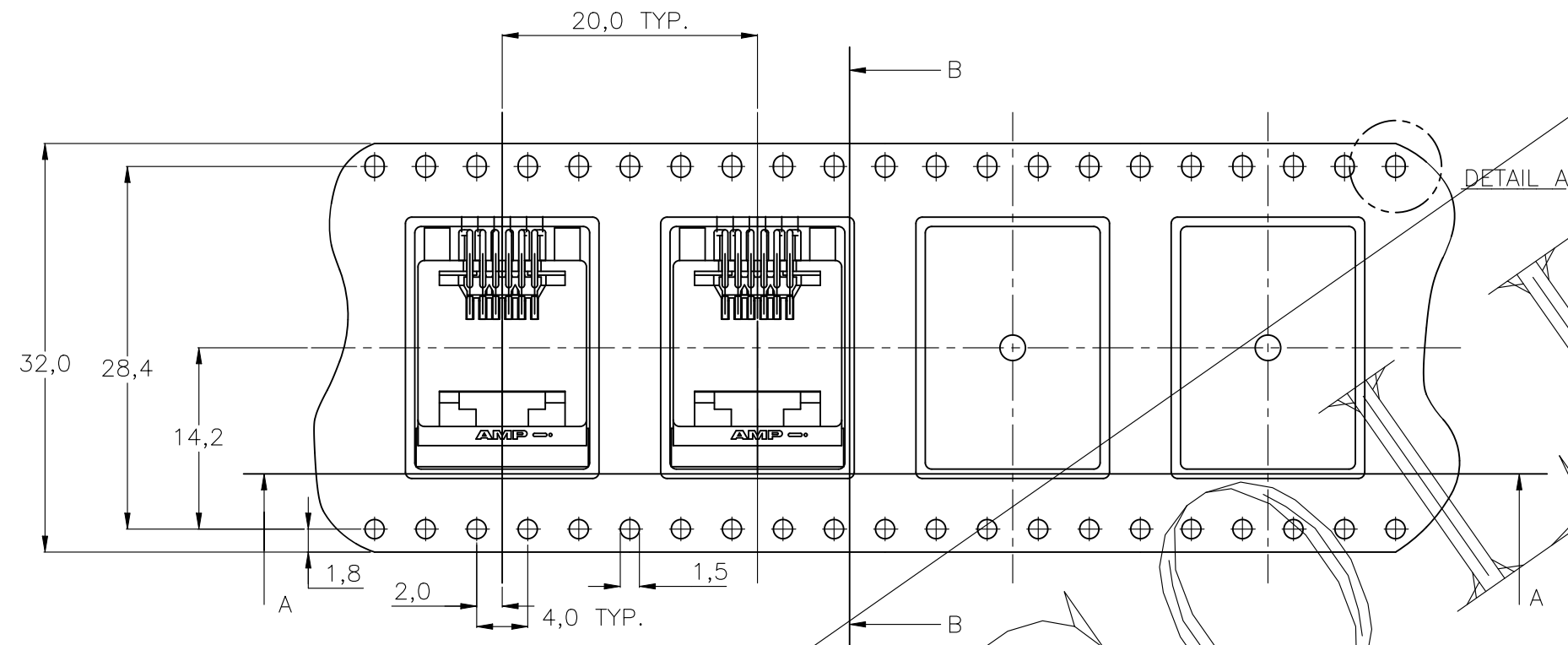
DETAIL A
SCALE 10:1

6 POS. / 6 CONTACTS	EMBOSSSED TAPE ACC. TD EIA 481-3 (36 cm. DIA. REEL)(300 pcs/reel)	2-100860-1
DESCRIPTION	PACKAGING	PARTNUMBER

THIS DRAWING IS A CONTROLLED DOCUMENT.		DWN E. V. EIJK 03DEC96	TE Connectivity	
DIMENSIONS: mm		CHK E. STELLINGA		
TOLERANCES UNLESS OTHERWISE SPECIFIED:		APVD R. SMEETS	NAME MODULAR JACK 6 POS. PACKAGING	
0 PLC ± - 1 PLC ± - 2 PLC ± - 3 PLC ± - 4 PLC ± - ANGLES ± -		PRODUCT SPEC -	SIZE A3	
MATERIAL -		FINISH -	CAGE CODE 00779	DRAWING NO C-100860
		WEIGHT -	RESTRICTED TO -	
CUSTOMER DRAWING			SCALE NTS	SHEET 3 of 4
			REV N	

REVISIONS					
P	LTR	DESCRIPTION	DATE	DWN	APVD
-	-	SEE SHEET 1	-	-	-

D
C
B
A



OBSOLETE	6 POS. / 6 CONTACTS	EMBOSSSED TAPE ACC. TD EIA 481-3 (36 cm. DIA. REEL)(300 pcs/reel)	3-100860-1
DESCRIPTION		PACKAGING	PARTNUMBER

THIS DRAWING IS A CONTROLLED DOCUMENT.		DWN E. V. EIJK 03DEC96		
DIMENSIONS: mm		CHK E. STELLINGA		
TOLERANCES UNLESS OTHERWISE SPECIFIED:		APVD R. SMEETS	NAME MODULAR JACK 6 POS. PACKAGING	
0 PLC ± - 1 PLC ± - 2 PLC ± - 3 PLC ± - 4 PLC ± - ANGLES ± -		PRODUCT SPEC -	SIZE A3	
MATERIAL -		FINISH -	CAGE CODE 00779	DRAWING NO C-100860
CUSTOMER DRAWING			RESTRICTED TO -	SCALE NTS
			SHEET 4 of 4	REV N