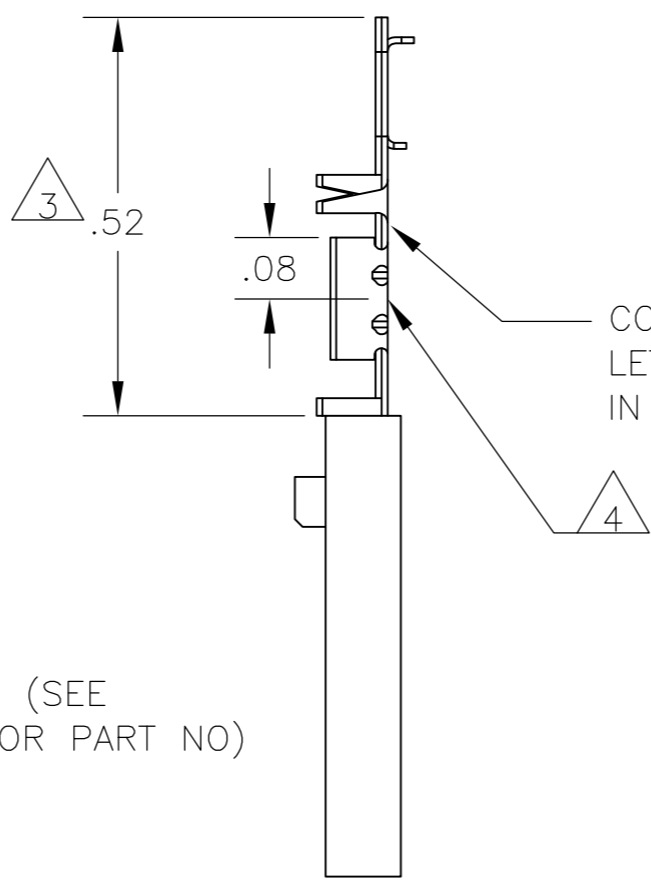
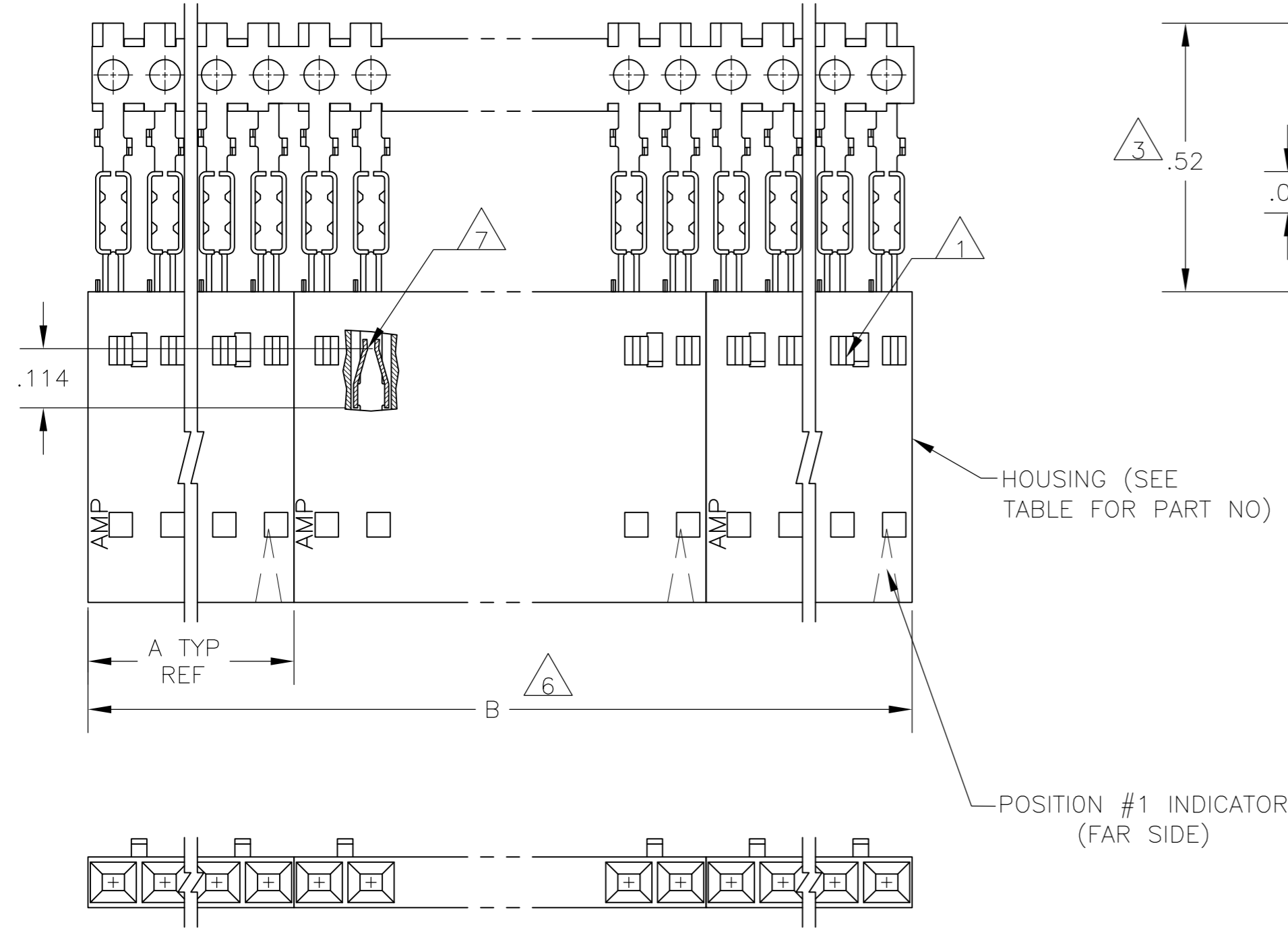
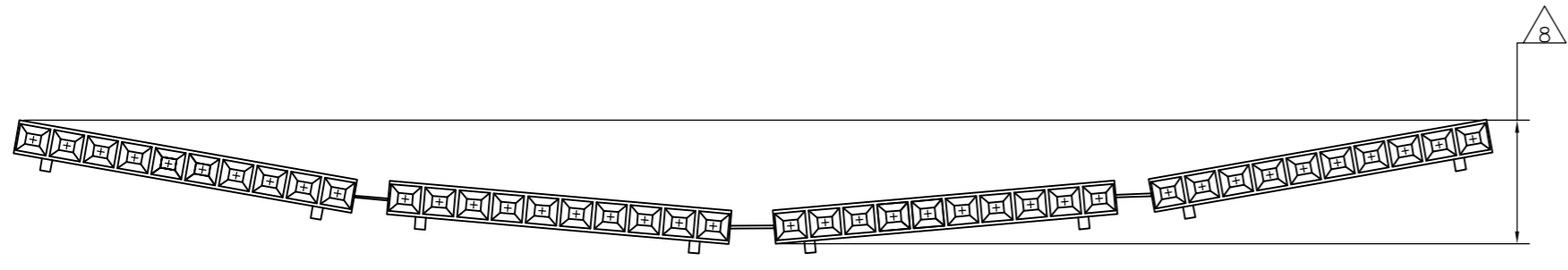
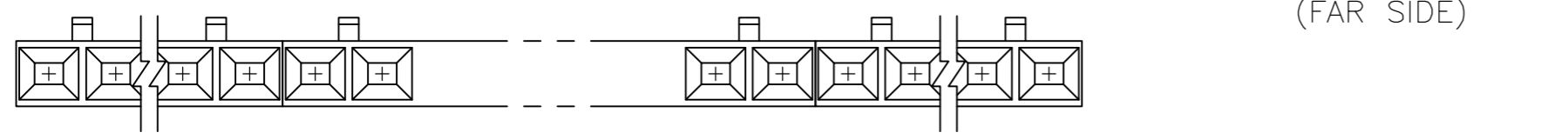


THIS DRAWING IS UNPUBLISHED. RELEASED FOR PUBLICATION  
 © COPYRIGHT BY TYCO ELECTRONICS CORPORATION. ALL RIGHTS RESERVED.

LOC	DIST	REVISIONS					
AD	00	P	LTR	DESCRIPTION	DATE	DWN	APVD
		J		EC 0G3C 0759 04	02FEB05	BSV	JLG
		J1		REVISED PER ECO-09-020689	02SEP09	KK	AEG



- 1 CONTACTS ARE LATCHED INTO THE PRELOAD WINDOWS
- 2 USE WITH #26-#30 AWG WIRE SIZE, .054/.030 INSULATION DIAMETER, .015 MAXIMUM INSULATION THICKNESS
- 3 THE DIMENSION APPLIES WITH THE FORWARD PRELOAD STOP IN CONTACT WITH THE HOUSING SURFACE
- 4 POINT OF MEASUREMENT FOR PLATING THICKNESS
- 5 FOR INDIVIDUAL ASSEMBLIES SEE PART NUMBER 103650
- 6 ASSEMBLIES ARE JOINED BY THE CARRIER STRIP. ORDER QUANTITY REFLECTS TOTAL NUMBER OF INDIVIDUAL ASSEMBLIES REQUIRED. SEE TABLE FOR NUMBER OF ASSEMBLIES PER STRIP.
- 7 POINT OF MEASUREMENT FOR PLATING THICKNESS (INSIDE BEAMS)
- 8 MAXIMUM ALLOWABLE BOW OF ASSEMBLY NOT TO EXCEED .055.
- 9 CONTACTS: .000100-.000200 BRIGHT TIN-LEAD OVER .000050 NICKEL
- 10 CONTACTS: .000100-.000200 MATTE TIN OVER .000050 NICKEL
- 11 OBSOLETE PARTS: OBSOLETE CIS STREAMLINING PER D.RENAUD/D.SINISI



		2	2.40	1.198	1-103648-1	12	6-103976-1
		2	2.20	1.098	1-103648-0	11	6-103976-0
11	OBSOLETE	2	2.00	.998	103648-9	10	5-103971-9
11	OBSOLETE	2	1.80	.898	103648-8	9	5-103971-8
		2	1.60	.798	103648-7	8	5-103971-7
11	OBSOLETE	2	1.40	.698	103648-6	7	5-103971-6
11	OBSOLETE	4	2.39	.598	103648-5	6	5-103971-5
		4	1.99	.498	103648-4	5	5-103971-4
		5	1.99	.398	103648-3	4	5-103971-3
		8	2.40	.298	103648-2	3	5-103971-2
		10	2.00	.198	103648-1	2	5-103971-1
11	OBSOLETE	2	2.40	1.198	1-103648-1	12	1-103971-1
11	OBSOLETE	2	2.20	1.098	1-103648-0	11	1-103971-0
11	OBSOLETE	2	2.00	.998	103648-9	10	103971-9
11	OBSOLETE	2	1.80	.898	103648-8	9	103971-8
11	OBSOLETE	2	1.60	.798	103648-7	8	103971-7
11	OBSOLETE	2	1.40	.698	103648-6	7	103971-6
11	OBSOLETE	4	2.39	.598	103648-5	6	103971-5
		4	1.99	.498	103648-4	5	103971-4
		5	1.99	.398	103648-3	4	103971-3
		8	2.40	.298	103648-2	3	103971-2
		10	2.00	.198	103648-1	2	103971-1
					PLATING	6	
			B	A	HOUSING PART NUMBER	NO OF POSN	ASSEMBLY PART NUMBER ON STRIP

THIS DRAWING IS A CONTROLLED DOCUMENT.

DWN L. MAYER 05 NOV 1986  
 CHK P.C.DEJONG 12-11-86  
 APVD P.C.DEJONG 12-11-86

TOLERANCES UNLESS OTHERWISE SPECIFIED:  
 0 PLC ± -  
 1 PLC ± -  
 2 PLC ± .02  
 3 PLC ± .005  
 4 PLC ± -  
 ANGLES ± -

MATERIAL HOUSING: FLAME RETARDANT THERMOPLASTIC. COLOR:BLACK. CONTACTS: PHOS BRONZE

FINISH SEE TABLE

108-25034  
 114-25026

WEIGHT -

CUSTOMER DRAWING

Tyco Electronics Corporation  
 Harrisburg, Pa 17105-3608

RCPT ASSY, AMPMODU MTE, SINGLE ROW, .100 CL, WITH GUIDE RIBS, FOR #26-#30 AWG WIRE SIZE, STRIP FORM

SIZE A2 CAGE CODE 00779 DRAWING NO C=103971 RESTRICTED TO -

SCALE 4:1 SHEET 1 OF 1 REV J1